

**FOR TRADE ONLY**  
Date of Issue: 23/11/2010



1:1

SURFACE 'A' = VISIBLE SURFACE  
 N2 = HELVETICA BOLD 12 PT.  
 FOG STOP = HELVETICA COMPACT 8 PT.  
 FONTS 0.2 - 0.3 DEEPEMED  
 BASE AREA HIGH GLOSS FINISHED.

TEMPERATURE COMPATIBILITY -  
 OF THE COMPONENTS.  
 (+80° ± 3° & -40 ± 3°)

MATL: - PC  
 FINISH & SPEC: - COLOUR: RAL 6014

DT. - 12-06-2010	SCALE - NTS
MATL.	TREAT.
SHEETS. 5	SHT. NO. 1
AMENDMENTS	DRAWING NO.
0FD/DO/002	MCT-2926/1

DRAWN BY: P.C.SINGH	
TR-	
CH-	
APPROVED	
JWM/DO.	WM/P
BINOCULAR 3x30 P	
CABINET, DESICCATING	
DRG. NO	CA/III/789/9 SH - (

FACTORY  
DUN



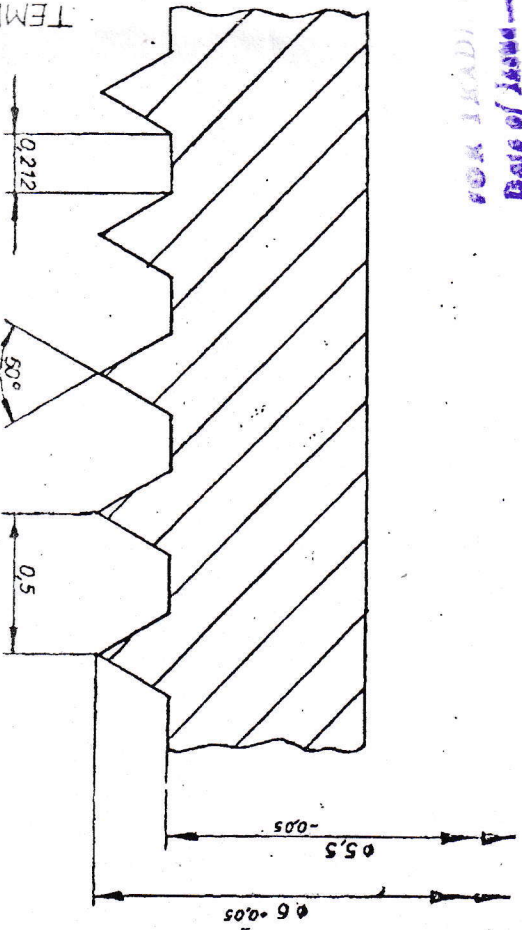




ORDNANCE FACTORY, DEHRADUN

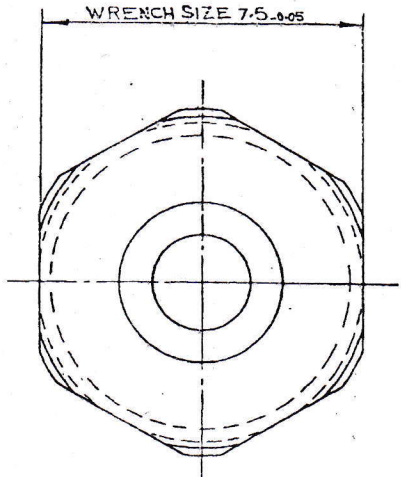
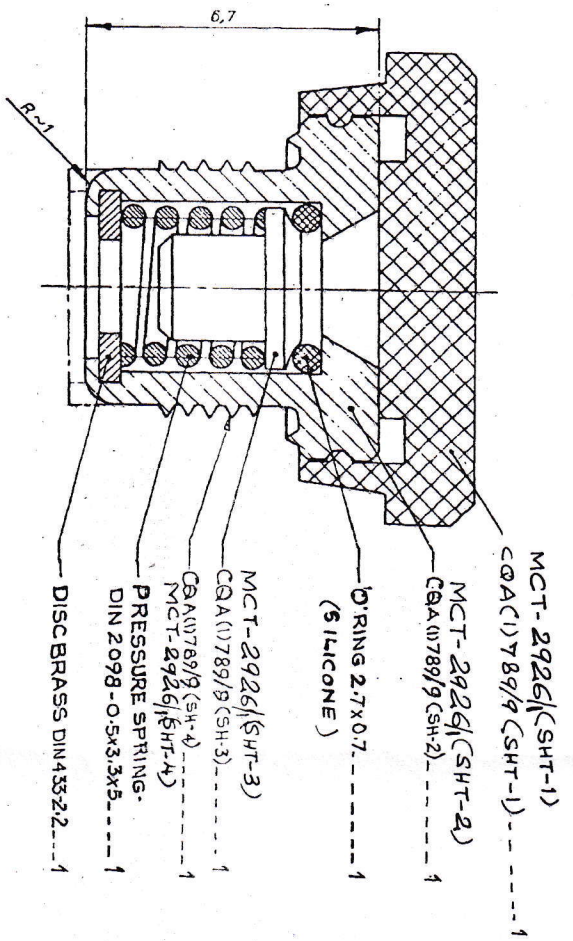
DRAWING NO. <u>MCT-2926/1</u>		APPROVED <i>[Signature]</i>		JWM/D.O. <i>[Signature]</i>		WMP	
SHT. NO. 4		SHEETS. 5		CH- <i>[Signature]</i>		AMENDMENTS	
TREAT.		MATERIAL		TR-		DN-01/15 dt-02/10/15	
SCALE - NTS		DT-12-06-2010		MADE BY: P.C.SINGH		OFD/DDO/002	

TEMPERATURE COMPATIBILITY  
OF THE COMPONENTS.  
(+80°F ± 3° - 40°F ± 3°)



DRG. NO. CQA(II) 789/95 MS  
FIRST ANGLE PROJECTION

SELF CUTTING THREAD VALVE HOUSING



DRAWN WITHOUT No.10

**FOR TAPDI QTR**  
*023/11/21*

DRAWN BY: P.C.SINGH	TR-
CH- <i>PC</i>	APPROVED
JMM/D.O.	<i>[Signature]</i>
	WMP

ORDNANCE FACTORY  
 DEHRADUN

BINOCULAR 8x30 R  
 VALVE COMPLETE

DRG. NO	COA(1)789/9 SH-5
AMENDMENTS	
DRAWING NO	MCT-2926

DT-12-06-2010	SCALE
MATL	AS
SHEETS: 5	SHT