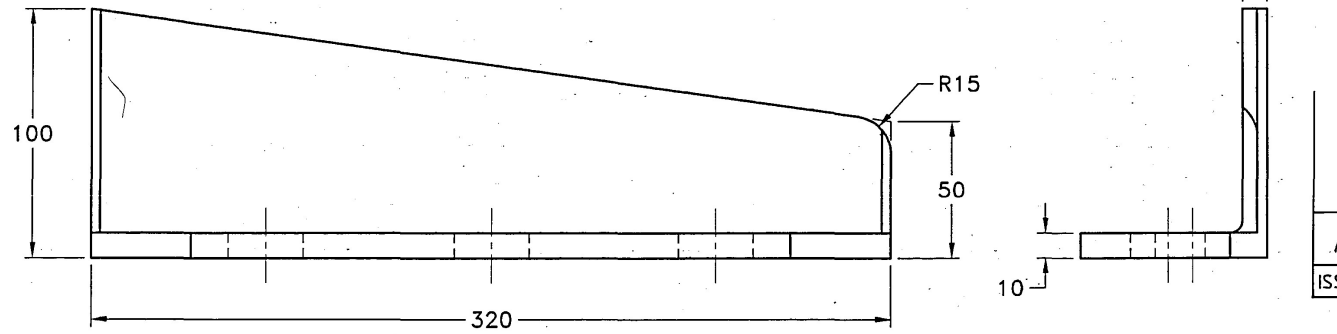
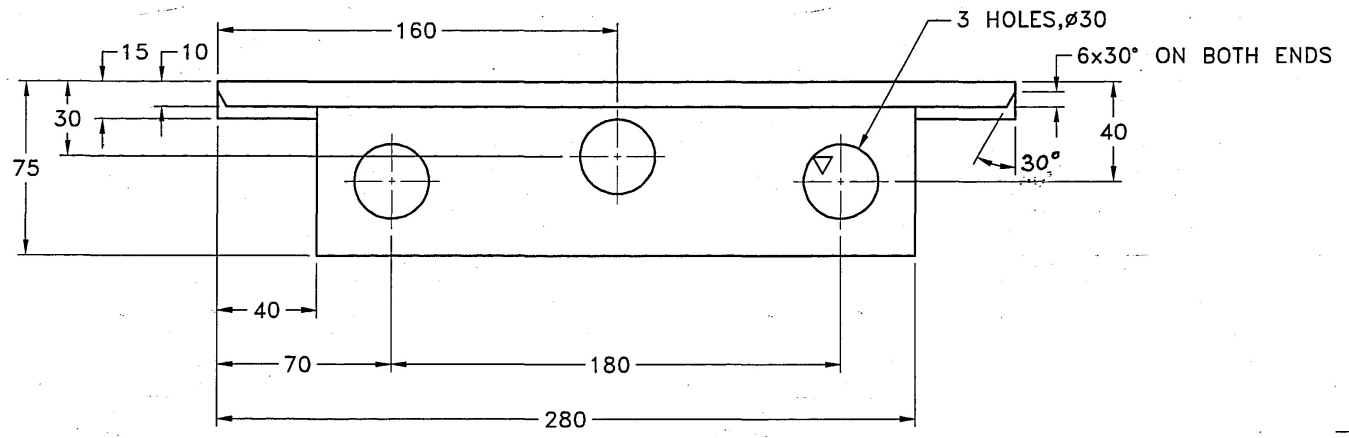


DRG. NO. **V572 0175 7022**
 SHEET OF

2 1

LINEAR DIMENSIONS	0.5-3	3-6	6-30	30-120	120-315	315-1000	1000-2000
DEVIATIONS IF UNSPECIFIED	± 0.1	± 0.1	± 0.2	± 0.3	± 0.5	± 0.8	± 1.2
DIMENSION							
LIMITS							



A	11.11.11	Lt.No. 55159/CQA(HV)/DB/CIA/T-72 Dt. 15 Sep 2011
ISSUE	DATE	NATURE OF AMENDMENTS

SEALED DRG *Praamudra* 8/12/11 (▽)

(BK) APPROVED FOR BULK PRODUCTION.
 04.04.2005

NOTE:-

- (a) STEEL TO SPEC IS : 2062 Fe 410 WA
 (b) HOT ROLLED UNEQUAL LEG ANGLE TO IS: 808 (PART VI) ISA 10075.
- REMOVE SCALES AND BURRS AFTER MACHINING.
- RED-OXIDE PAINTING IS TO BE DONE TO SPECN. JSS: 3-47-13 CQAEM/SS/133 SHADE CODE-446 FOR PRIMER FINISH (or) IS:2074-1992.

ROUGHNESS SYMBOL	~	▽	▽▽	▽▽▽	▽▽▽▽
ROUGHNESS VALUE	50-25	25-6.3	6.3-0.8	0.8-0.1	< 0.1
MATL	REFER NOTE NO.1				Est. wt 2.875 Kg.
DRN	STS	CAD	AD	DIMENSIONS IN mm.	
CHD	RP	COMP	NB	DRG. NOT TO BE SCALED	
PASSED	R.PANDURENGAN TO 'C'			SCALE 1:2	*USED ON
APPROVED	Y.R.PREM Kumar			DATE 22.10.2002	V572 0175 0118, 0318 & 0618 (SHEET 3 OF 3)
TITLE	BARRIER-TAPER-RH				DRG. NO. V572 0175 7022
					ISSUE

USED ON * CQA(HV)5.01.004 (A)

COMBAT VEHICLES RESEARCH AND DEVELOPMENT ESTABLISHMENT

2 1