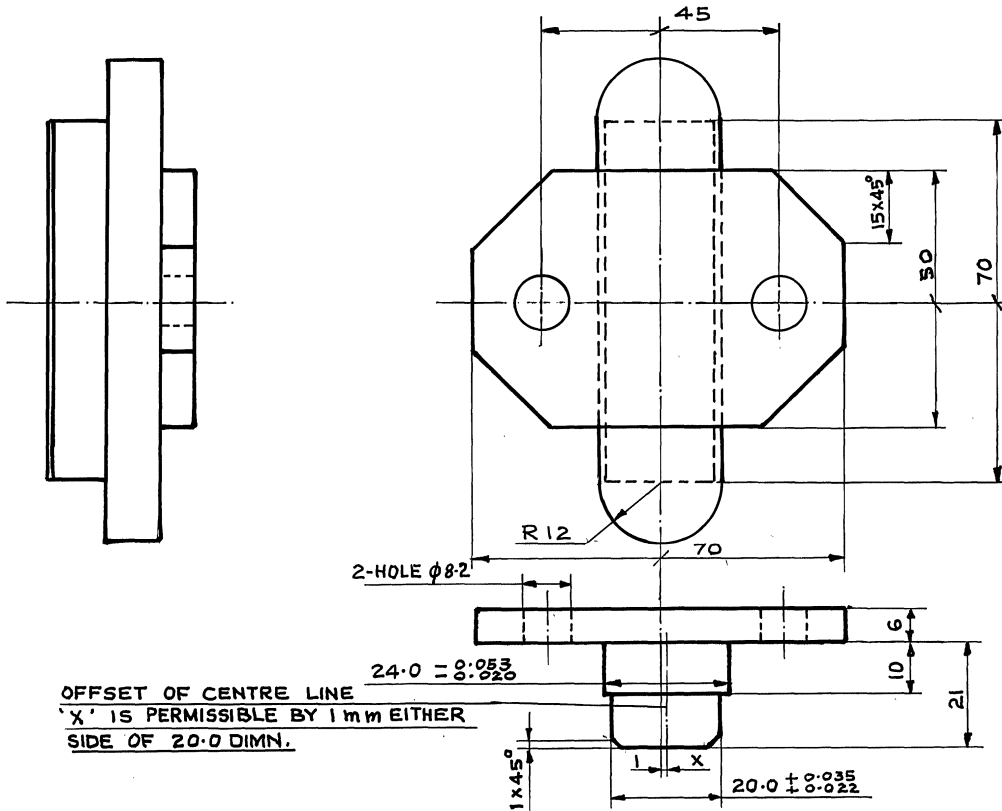


PART No.  
**IFL - 8125**

DRG CONVENTIONS CONFORM TO IS : 696  
DIMNS ARE IN mm. UNLESS OTHERWISE STATED



UNTOLERANCED HOLE + 0.2 mm

UNTOLERANCED ANGLES GIVEN IN  
DEGREE ONLY ± 30 MINUTES.

OFFSET OF CENTRE LINE  
'X' IS PERMISSIBLE BY 1 mm EITHER  
SIDE OF 20.0 DIMN.

31-1-06			RETRACED WITHOUT CHANGE			DRAWN:-	CHD:-	ASSY DRG:-1015-003163	CQA(W) JABALPUR	
			PREV. DC. Nos:- 17827-W, 18825-W & 18844-W / DT. 3-1-04			TRACED:-RKRathor	CHD:-*	DATE:- 9-4-84		
DATE	AUTHORITY	ZONE	NATURE	SIG AHSP	SIG DO	Adhaya C/D MAN	DO	AHSP	SCALE:- 1:1	
								FOR CQA(W)	ESTD mass:-	
AMENDMENTS			MATERIAL:- IS: 5517-40 Ni 6 Cr 4 Mo 3 (RS-63) 1978				DESIGN No.			
DRG SEALED:- DC No. 18844-W			PROT. FINISH:- PHOSPHATED TO SPEC. JSS: 04-65-01: 1988, CLASS II, FINISH (j)				1 LG - 16/1		ASSY DRG 1LG 3/2	
DATE - 03-01-04.			DO CQA(W)				PART No.			
							IFL - 8125			
							DSCAT No.			

KEY, REAR की, रियर