

1 2 3 4

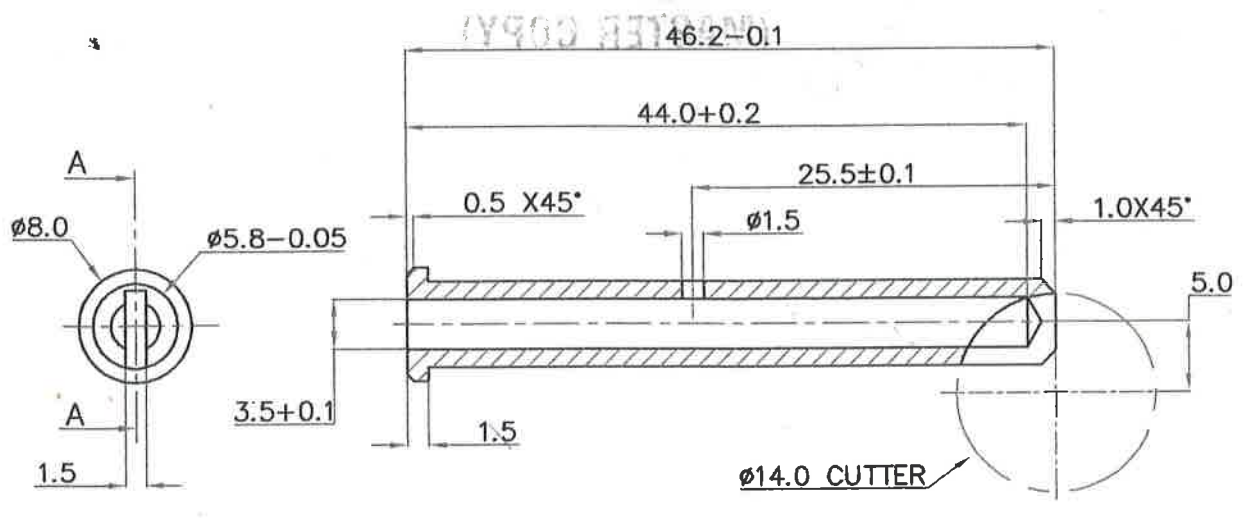
ISS C A AA S SS IC  
 B 0 0 0 0 1 0 0 1 1 1 0 0 2 0 2 0 3 0 4 0 2 0 4

DRG.No. 119

GEN TOL FINE/MEDIUM/COARSE  
 CLASS TO IS:2102

DRG CONVENTIONS CONFIRM TO INDIAN STD  
 DIMM IN mm UNLESS OTHERWISE STATED

**CONTROL COPY No. 1**



SECTION A-A

NOTE: -

- 1) REMOVE ALL SHARP EDGES AND BURRS
- 2) HARDNESS: 300-350 HV

*Received on 29/11/15*

1	7/3/2014	M-21	HARDNESS:300-350HV WAS 250-300HV	D-2,3	CD	GO
S No	DATE	AUTHORITY	BRIEF RECORD	ZONE	SIGN	
DRN	KSD <sup>KSN</sup>	CHD	MATERIAL: STEEL TO IS: 5517-1993, Gd 55CB (En-9)			
APPD	DATE 07/03/2014 For Director		PROTECTIVE FINISH: PHOSPHATED TO SPECN. IS: 3618-1966, CLASS 'B'			
SEALED	DATE		TITLE			
SCALE	2:1	EST MASS	PIN LOCKING AND PISTOL GRIP CUP			
DESIGN AUTHORITY	ARDE PUNE 411021					
DRG.No.	0 2 0 4	0 3	0 2	0 0	1 1	0 0 1 0 0 D B
PART No	DS CAT No		AHSP			

1 2 3 4