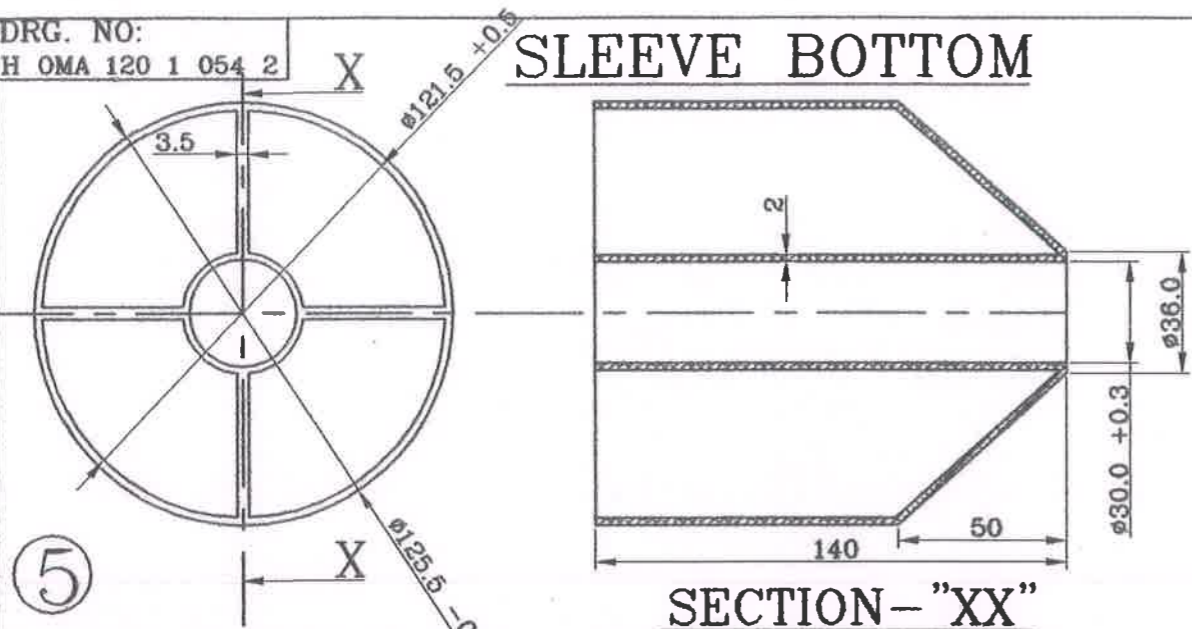


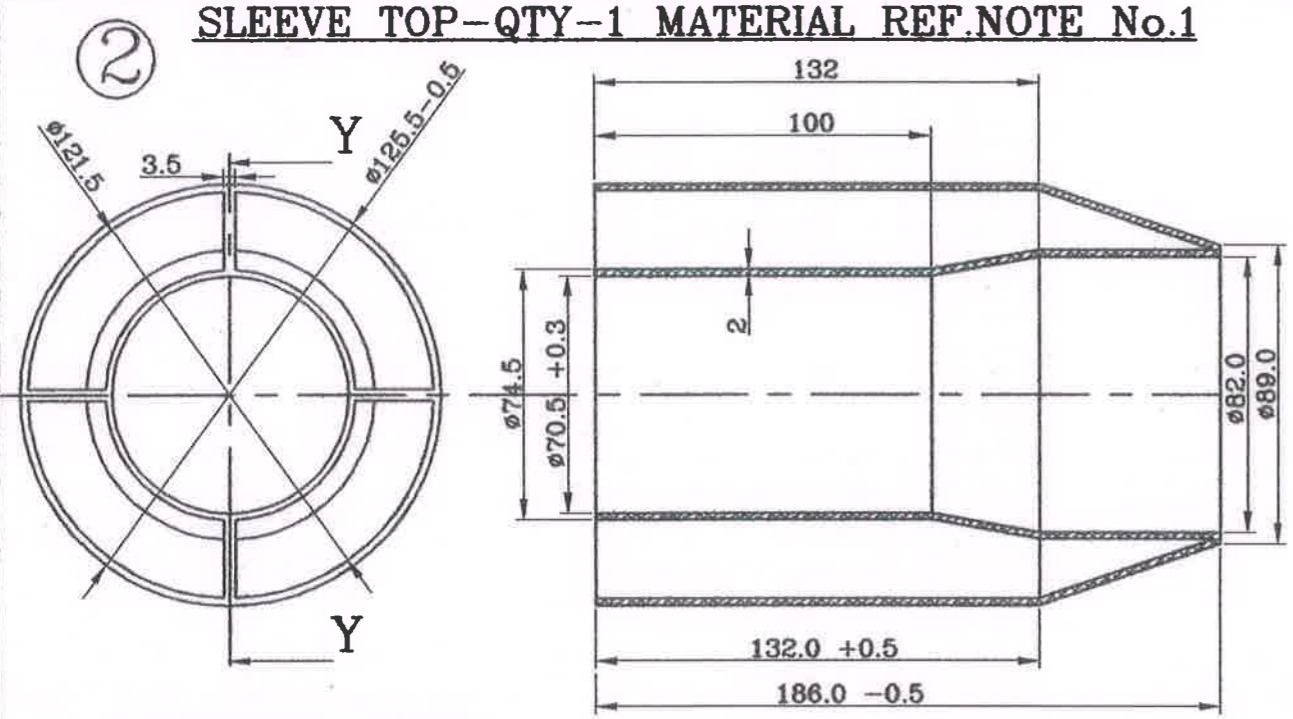
DRG. NO:  
H OMA 120 1 054 2



**SLEEVE BOTTOM**

**SECTION- "XX"**

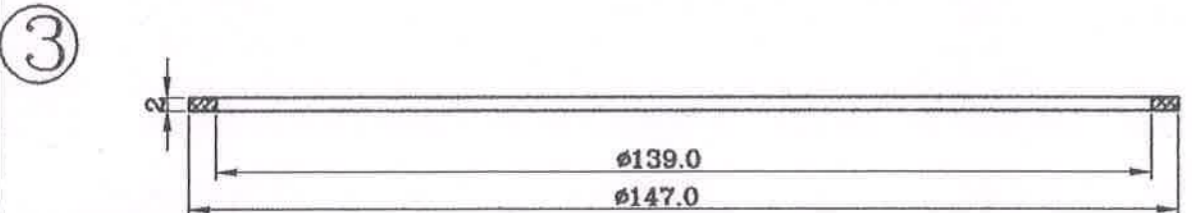
SLEEVE BOTTAM-QTY-1 MATERIAL REF.NOTE No.1



**SLEEVE TOP-QTY-1 MATERIAL REF.NOTE No.1**

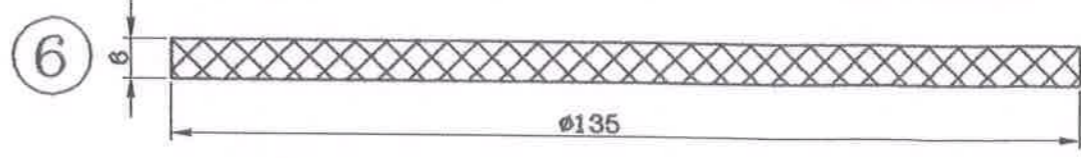
**SECTION- "YY"**

**SLEEVE TOP**



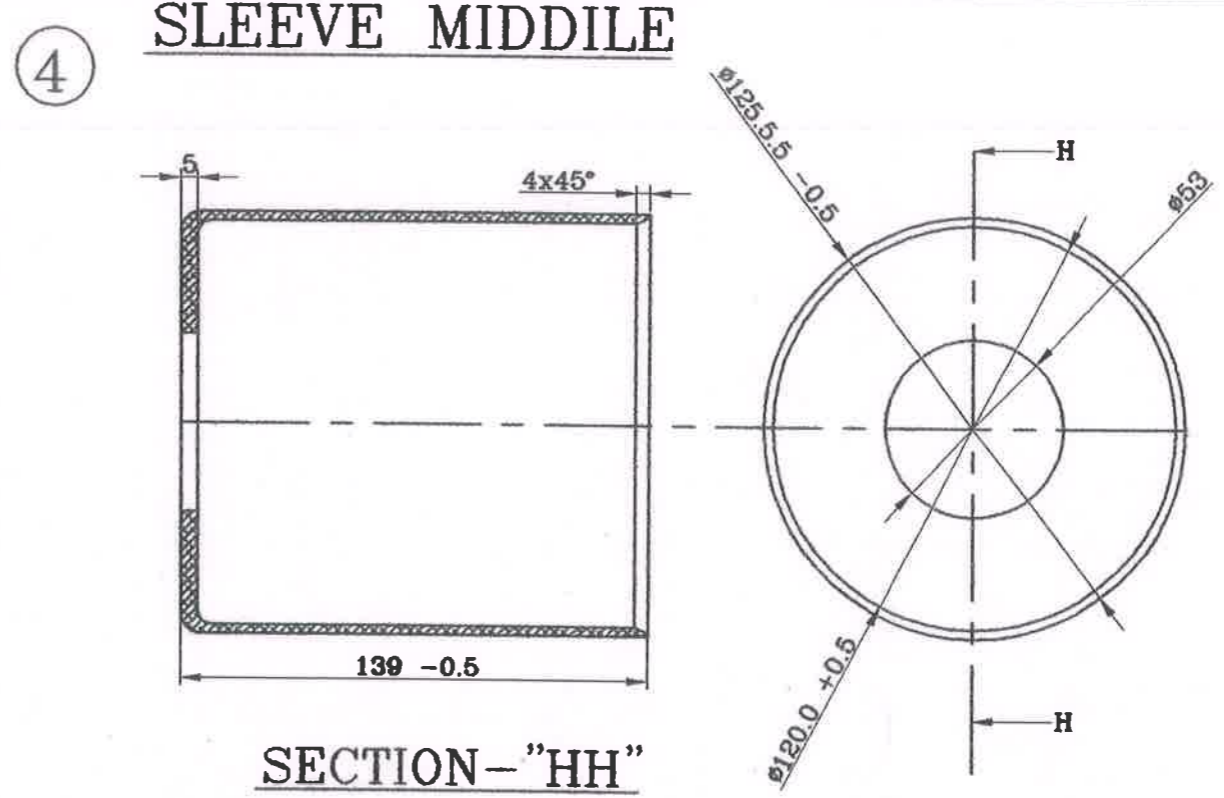
**GASKET**  
QUANTITY-1  
MATERIAL-NEOPRENE RUBBER TO SPEC-IND/ME/884(PROV)

ISSUED BY  
STANDARD CELL  
EOT  
DATE: 26/12 SIGNATURE:



**CUSHION PAD TOP**  
QUANTITY-1  
MATERIAL SPONGE TO SPEC IND/ME/645

**REFERENCE**



**SLEEVE MIDDLE**

**SECTION- "HH"**

SLEEVE MIDDLE -QTY-1 MATL-REF.NOTE No.1

THIS DRG. SUPERSEEDS THE DRG. No. H OMA 120 1 053 1

ALL DIMENSIONS ARE IN MM

2. REFER SHT 1 OF 4.		REV.	ALT. NO	DATE & SIGN
1. REFER SHT 1 OF 4.		DRAWN		
ISSUE ALTERATIONS		CHECKD.		
TITLE : CONTAINER FOR 120mm FSAPDS		APPRD.		SHEET 4 OF 4
		DATE	06/04/02	REV 0
		SCALE	1:1	
		SECTION	DESIGN	
HEAVY ALLOY PENETRATOR PROJECT		DRG. NO:		
TIRUCHIRAPALLI		H OMA 120 1 054 2		