

TELESCOPIC SIGHT FOR 84MM ROCKET LAUNCHER.

S.A
DRG. No.
GE 235135F.

SCREW SUPPORT ADJUSTING

M2.5 X 2.5, DIN 920.

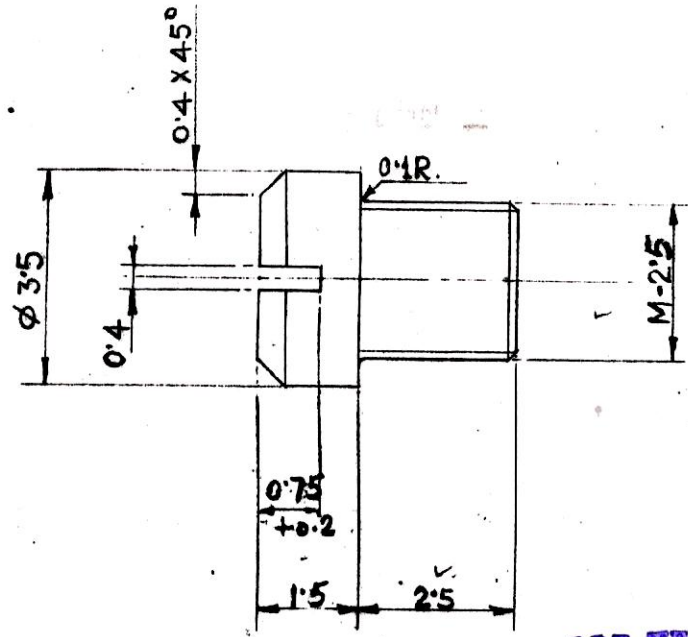
CUTTING LINE.

SCREW SUPPORT ADJUSTING.

M2.5 X 2.5, DIN 920

MCT/1079

ORDNANCE FACTORY DEHRADUN.



FOR TRADE COPY
Date of Issue: 28/11/16
C

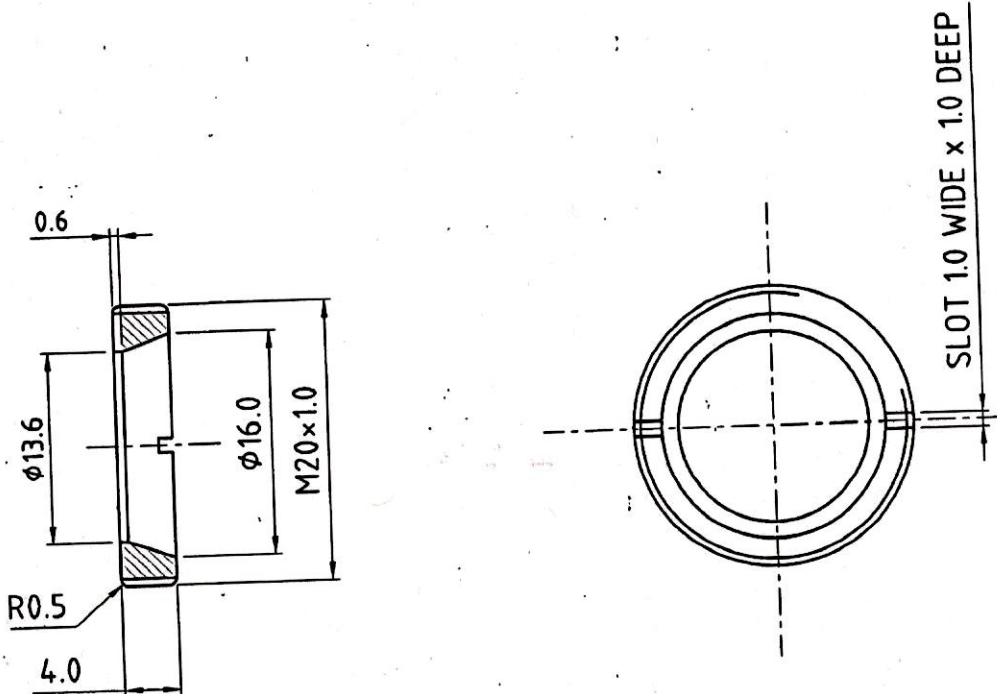
MATL :- STEEL CLASS 4.6
CONFORMING TO IS:1367
FINISH :- PHOSPHATED CLASS
A2 TO IS: 3618.

ALL DIMENSION ARE IN mm.

		DT/- 21-6-84 SCALE - 10:1	
		MATL.	TREAT.
		AS STATED	-
		REF. PP/527/DEV	
		27/9-5-83 19-12-84	
		SHEETS - 1	SHEET No. 1
APPROVED			
AMENDMENTS		DRG. No. MCT/1079	

MODIFIED PASSIVE NIGHT SIGHT FOR 12.7 A.D. GUN

RING, SECURING



MATL. & SPECN. :- AL. ALLOY HE-15 IS: 733 WP

FINISH:- ANODISED DULL BLACK AC15 IS:1868-1982

FOR TRADE ONLY
Date of Issue 14.12.16

DIMENSIONS ARE IN M/M.
IMPORTANT DIMENSIONS MARKED THUS ●
INFORMATION MARKED THUS † TO BE MARKED ON.

	DR.- P.C.SINGH	DT. - 25.7.2014	SCALE - 2:1	
	TR.-	MATL. AS ABOVE	TREAT. AS ABOVE	
D.A. No.10/2014, DT.24.7.2014	CH.	SHEETS-1	SHTS.-1	
D.A. No.02/2013, DT.04.02.2013	APPROVED.	DRAWING NO- CWC-229/30/2		
AMENDMENTS.	(A. SINGH) JWM/DO.			(T. KHATTER) JWM/P.
OFD/DO/002				

ORDNANCE FACTORY, DEHRADUN.

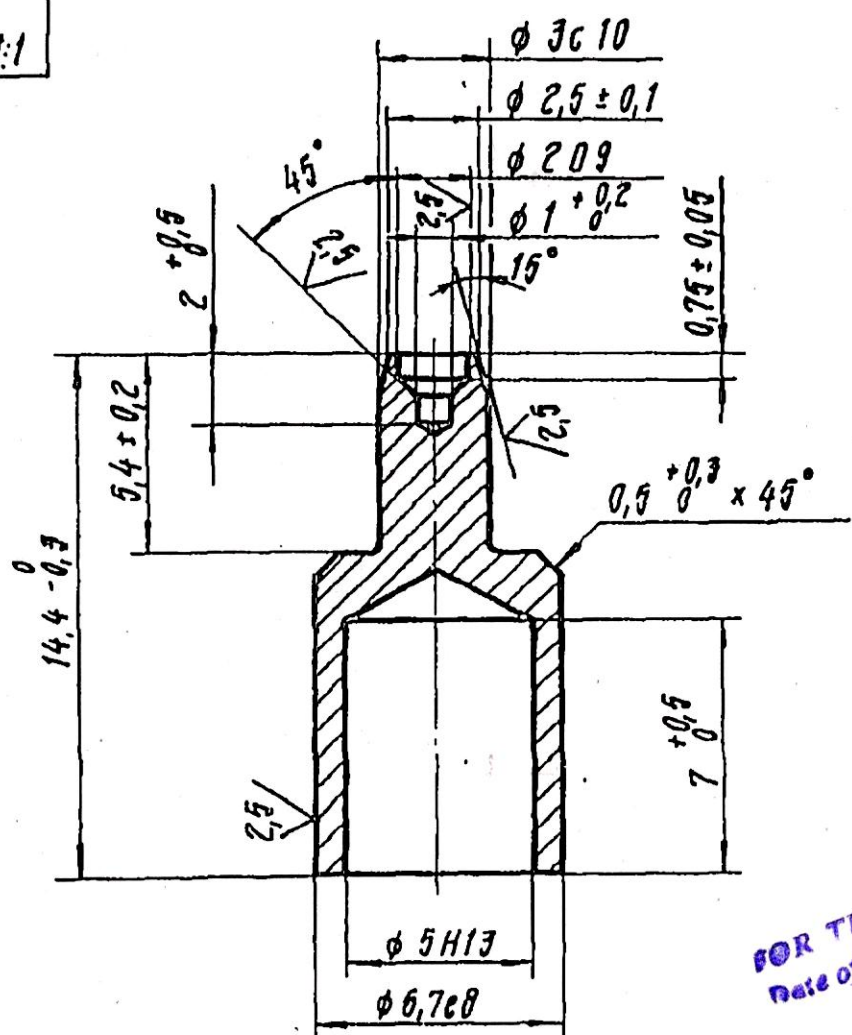
Uppgifter som upptas i denna handling är FFV egendom. Allt övrigt i nyttjande därav kommer att beivras.

D.C. 1-2423-I (P), 2789-I (P), 2750-I (P)

DRG. VETTED BY Q.M. IMP. SUPER IMPERIAL 30



Utgåva	Ändr nr	Plats på ritning/Beskrivning	Datum	Utförd	Gransk/Godk
B		E 4	880622	JT	JL 88:146
C	-	Eng. text införd Engl. text introduced	89-02-04	ML	W/GF 89:141
D	1-4	D3/E3; E2; 2E3	89-12-14	ML	W/GF 89:370
E	1-2	2E4	05-05-25	ML	18654 EXP



FOR TRADE ONLY
Date of Issue 12.12.16

Q.D.C. 2750-I (P) - DRG. No. AMENDED.	6.12.11
Q.D.C. 2789-I (P) DRG. IN. AMATL.	7.8.11
Q.D.C. 2423-I (P).	18.7.07
DRG. PROV. SEALED	
AMENDMENTS	END SIG. DATE

Svarloxiderad och inoljaad enl
Alkaline blackened and oiled to 1.003.063

SPECN. MATL - BS:970 Pt. 1-83 70BA25 WITH RESTRICTION % S = 0.035 MAX				
Det	Antal	Benämning/Beteckning	Ritning/Referens	Material/Övrigt
Tolerans		Ytämhet 6.3	Gradning R ± 0.2 eller Fas ± 0.2	Form- och lageltoler. 5% ISO-1101
Mått eller ytbek		Mått eller ytbek		Måtttoler. (se tillägg yta/Tang yta)
Konstr/Ritad	Ritningsgranskad	Konstruktionsgransk	Godkänd	Registrerad
Datum 05-11-20	Kontrollerbarhetsgr	Produktionsgranskad	Datum 05-12-16	Oversatt
Benämning				Skala 5:1
Spärr för ratt Catch, range drum				Ritningsnummer CQ:A(1)-792/1

