

Spec. No.- DNS-BMP-II/EL/FILTER/01

SPECIFICATION OF EME/EMC FILTER
FOR
DNS OF BMP-II

EMI/EMC Filter shall be in accordance with the following documents enclosed.

1. IRDE vetted Specification of EMI/EMC Filter Part No - VDS120158542 for DNS - 04 (Four) Sheets.received vide DOC No.- VDS/IRDE/FILTER dt. 28-01-2023.

Deliverables : The EMI/EMC Filter should be supplied along with the following:-

1. Acceptance Test Report for each EMI/EMC Filter.
2. Good packing for the subject EMI/EMC Filter should be ensured to avoid transit damage.
3. Warranty certificate mentioning that the EMI/EMC Filter is free from defects in materials,workmanship and performance within the specification for a usage period of twelve (12) months or eighteen (18) months from the date of its receipt at the consignee end.



WMI/A - II



HOS/R&D



JWM/R&D



DGM/R&D



VERSABYTE DATA SYSTEMS PVT. LTD.,
QUALITY. TECHNOLOGY. CREATIVITY

DOC. NO. VDS/IRDE/FILTER
ISSUE: 00
PART NO.: VDS 1201 585 42
DATE: 28-01-2023

Versabyte Filter Module 50Vdc/5Amps Specifications.

1.0 Introduction

The Versabyte Data Systems designed Filter Module is designed to reduce the conducted common-mode and differential-mode noise on input or output lines of high-frequency switching power supplies. The module has a maximum current rating of 5 A. It provides high insertion loss throughout the frequency range on conducted emissions.

The filter mounts on a PC board in a natural convection or forced-air environment.

The filter module will significantly reduce the conducted differential and common-mode noise returned to the power source.

2.0 Technical specifications of VDS Filter.

Contents	Specifications
Rated Voltage	50VDC Continues
Transient	75V (1 Minute)
Rated Current	5A
Maximum Power Dissipation	<1Watt @ +71°C in full load
Maximum output Power	300Watts Without any de-rating in Operating Temperature
Operating Temperature	-55 to +125°C
Storage Temperature	-60 to +125°C
EMI/EMC	MIL-STD-461 E/F/G
Shock &Vibration	MIL-STD 810D/F
Dimensions (LxWxH)	38x28x15 mm
Weight	75g max

Specification of EMI/EMC for ADNS

Secd

(SURENDRA KUMAR), T O - B



VERSABYTE DATA SYSTEMS PVT. LTD.,
QUALITY. TECHNOLOGY. CREATIVITY

DOC. NO. VDS/IRDE/FILTER
ISSUE: 00
PART NO.: VDS 1201 585 42
DATE: 28-01-2023

3.0 Internal Schematics

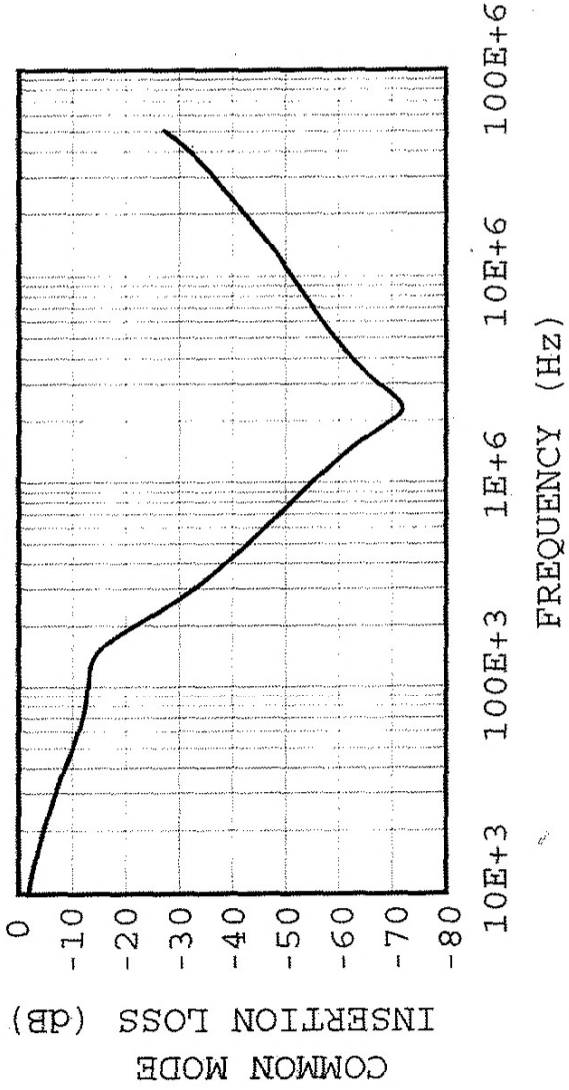
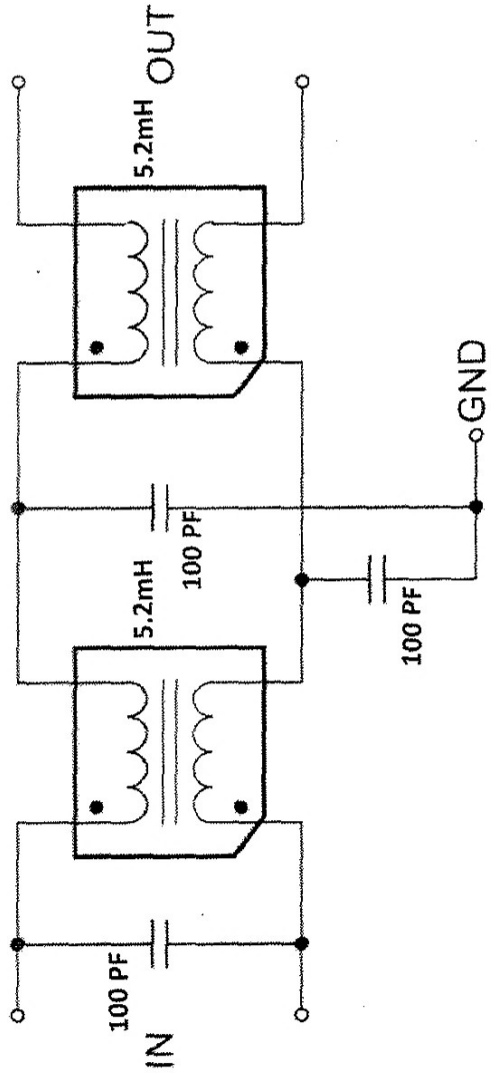


Figure 1. Typical Common-Mode Insertion Loss

3
9/25



VERSABYTE DATA SYSTEMS PVT. LTD.,
QUALITY. TECHNOLOGY. CREATIVITY

DOC. NO. VDS/IRDE/FILTER
ISSUE: 00
PART NO.: VDS 1201 585 42
DATE: 28-01-2023

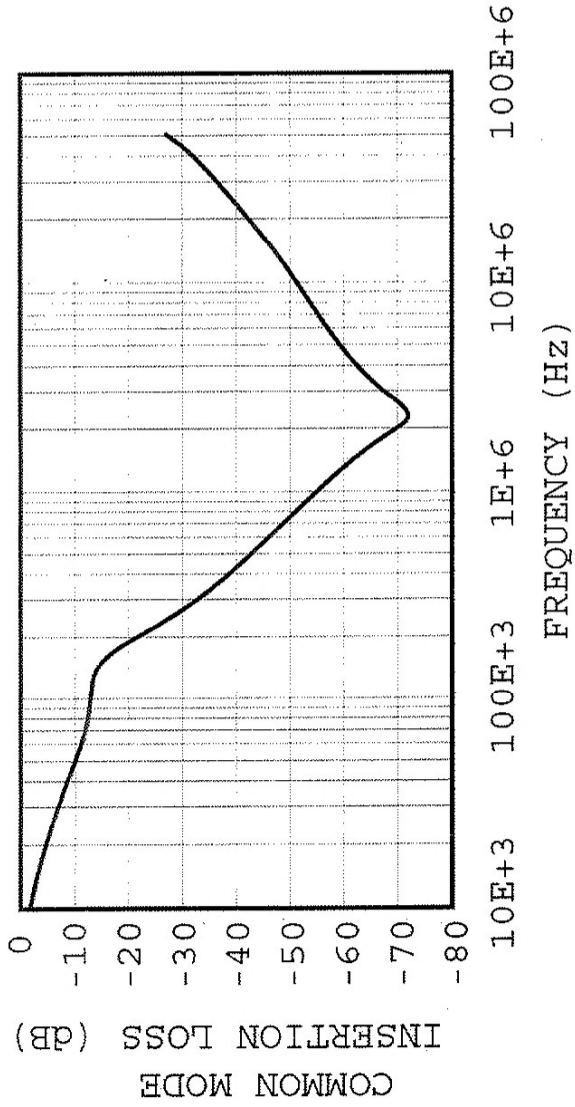
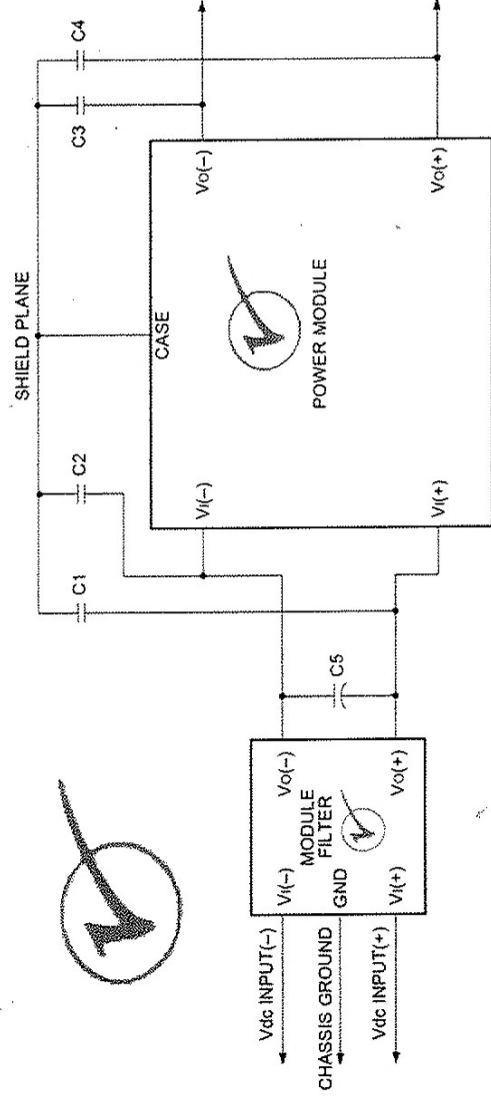


Figure 2. Typical Differential-Mode Insertion Loss



Note: C1 through C4 can be 0.01 μ F to 0.1 μ F. Select the voltage rating to meet input-to-output isolation requirements. C5 should be the recommended value indicated in the power module data sheet.

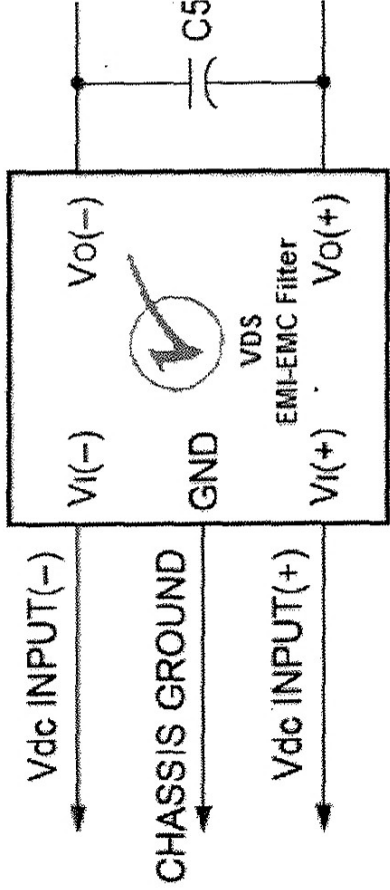
Figure 3. Recommended Schematic When Used as the VDS Input Filter to a DC-to-DC Converter

8/2
see fig 3



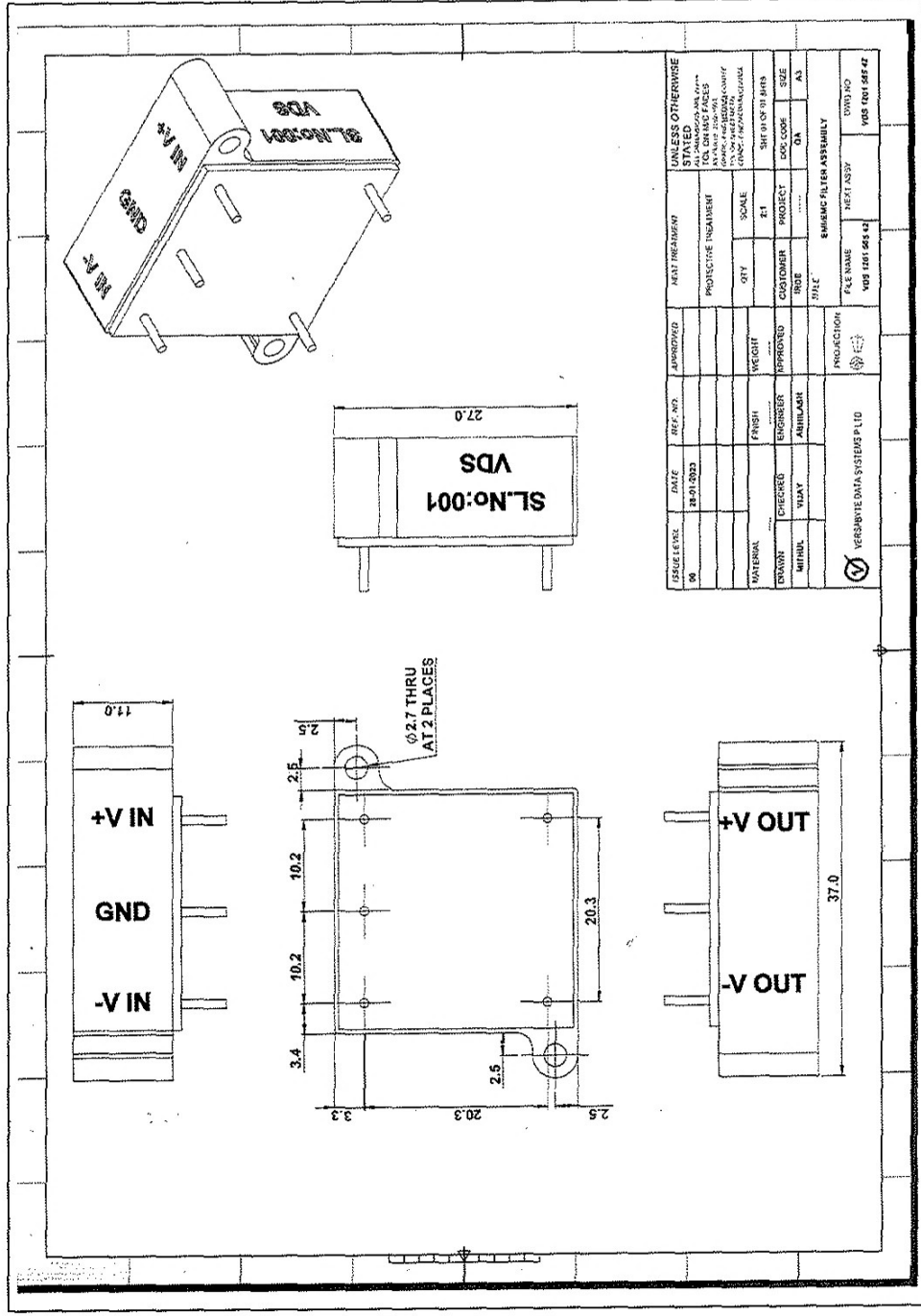
VERSABYTE DATA SYSTE MS PVT. LTD.,
QUALITY. TECHNOLOGY. CREA TIVITY

DOC. NO. VDS/IRDE/FILTER
ISSUE: 00
PART NO.: VDS 1201 585 42
DATE: 28-01-2023



PIN CONFIGURATION

Mechanical Dimensions



Handwritten signature and initials.