

1 2 3 4

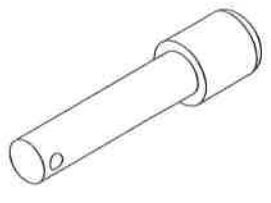
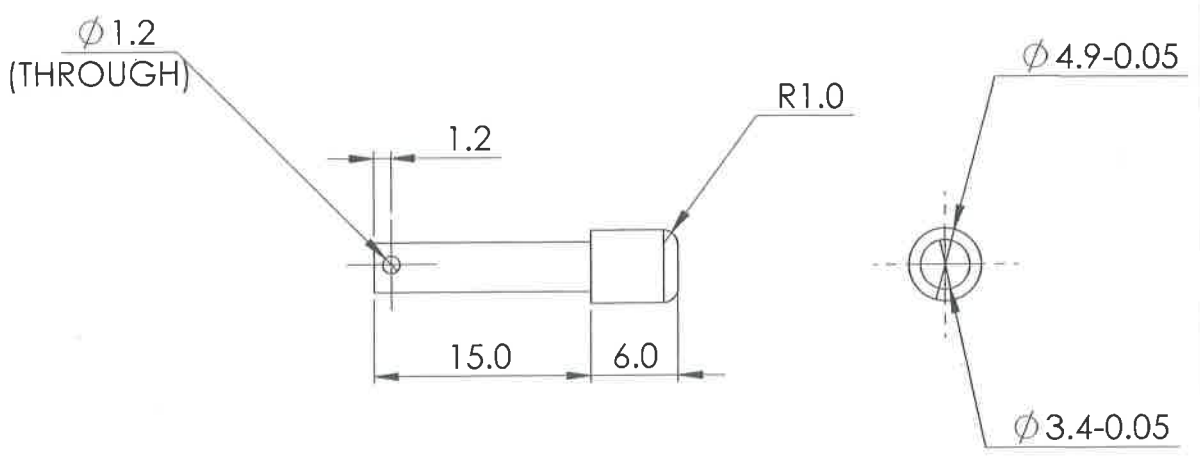
ISS C A AA S SS IC DRG.No.

0 2 0 4 0 4 0 3 0 0 0 2 0 0 7 0 0 D A

GEN TOL FINE/MEDIUM/COARSE CLASS TO IS:2102

DRG CONVENTIONS CONFIRM TO INDIAN STDS. DIMN IN mm UNLESS OTHERWISE STATED

CONTROL COPY No.



- NOTES:
- 1) REMOVE ALL SHARP EDGES AND BURRS.
 - 2) HARDNESS: 300-350HV
 - 3) ALT. PROTECTIVE FINISH: Ni-PTFE, 20µm THICKNESS.

SR No	DATE	AUTHORITY	BRIEF RECORD	ZONE	CD	GO
DRN	SD	CHD	MATERIAL	SIGN		
APPD	DATE	For Director	STEEL TO IS: 5517:1993,Gd-40Ni6Cr4Mo3 (EN-24)			
SEALED	DATE		PROTECTIVE FINISH			
SCALE	2:1	EST MASS	PHOSPHATED TO SPECN IS:3618-1966, CLASS B			
DESIGN AUTHORITY	ARDE PUNE 411021		TITLE	PLUNGER HOOK SLING		

DRG.No. 0 2 0 4 0 4 0 3 0 0 0 2 0 0 7 0 0 D A

IC SS S AA A C SST

PART No DS CAT No AHSP

1 2 3 4