

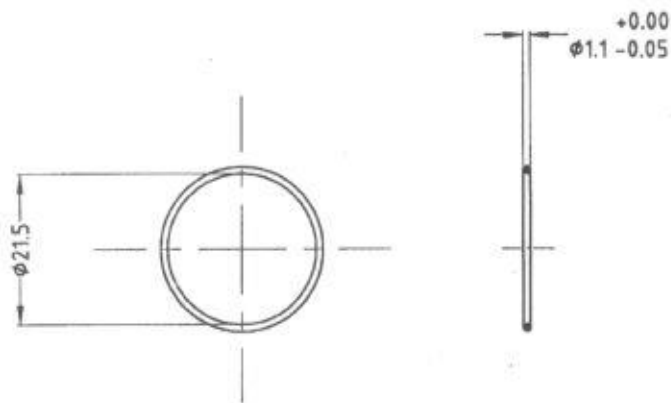
ORDNANCE FACTORY, DEHRADUN.

P. N. V. MONOCULAR

'O' RING, E.P.-2

(1) FOR EXPLANATION OF DIMENSIONS ETC., SEE CQA(I) GUIDE NO.- 001-2016  
 (3) THIRD ANGLE PROJECTION

(2) ALL DIMENSIONS ARE IN MILLIMETERS.



MATERIAL :- NBR, BS 2751-2001, GRADE- BA50

FOR TRADE USE  
 Date of Issue 03/04/18  
*Raj*

		DT. 21-08-18	SCALE:- 1/1
	DR.- P.C.SINGH	MATL.	FINISH
	TR.-	AS ABOVE	AS ABOVE
	CH. <i>[Signature]</i>	SHEETS-1	SHTS.-1
DA NO.- 22A/2018, Dt- 15/09/2018	APPROVED. <i>[Signature]</i> (Kuldeep Saini) JWM/D.O.	DRAWING NO-	
AMENDMENTS.		CWC-252/17	
OFD/DO/002		(S.Bhaskar) AWM/EO	