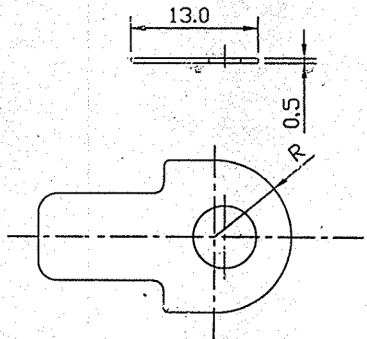
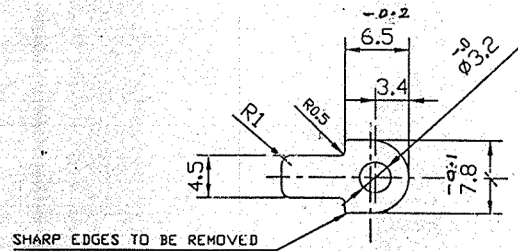


DIMENSIONS ARE IN MM.
 UNTOLERATED DIMENSIONS AS PER IS:2102 (MED)



MATL:
 BS 1449 PT.1-1972 CS:80
 FINISH:
 PHOSPHATE TO SPECN.
 WPN/GEN/3
 CLASS II OIL FINISH

ENLARGED VIEW

PART NO.	DESCRIPTIONS	NO OFF	MATERIAL	TREATMENT	REMARKS
			SEE ABOVE	HRD & TEMP	400-500 HV
	SIGNATURE & DATE.		SUB: SPRING LEAF, BED BACK SIGHT		SCALE 2:1
	TRACED		FOR: .315" SPORTING RIFLE		STORE DRG. NO.
	DRAWN <i>[Signature]</i>		OF:		
	CHECKED <i>[Signature]</i>		DES. REF. NO. SP-8		OPERATION NO.
	OIC/D&DO V. Valluradun		DRG. No.: 29-P-0008		
	OFFICER/PRODN.		ORDNANCE FACTORY TIRUCHIRAPPALLI-16.		SHEETS 01
	OFFICER/D&DO				SHEET No. 01
AMENDMENTS	SIG. & DATE	APPROVED ON 10/04			