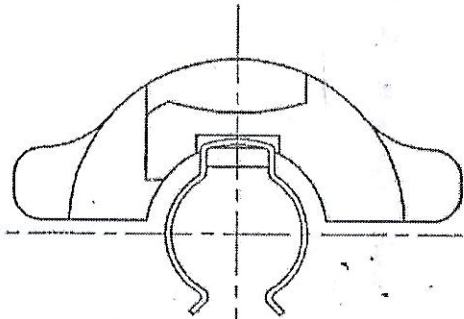
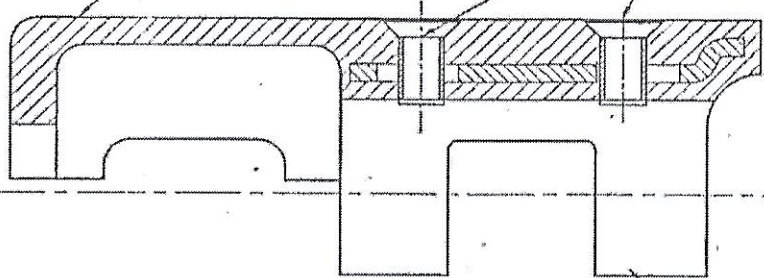


D.S. CAT. NO. 1005-560701

DRAWING CONVENTIONS CONFORM TO JSG.0104
DIMNS ARE IN mm. GEN. TOL. 'MEDIUM' IS:2102

FLAT HEAD RIVET 3Ø x 12 TO IS:2155 - 1962 — 2
RIVET HEAD SHOULD BE LOWER THAN THE SURFACE.

1005-560702 — 1



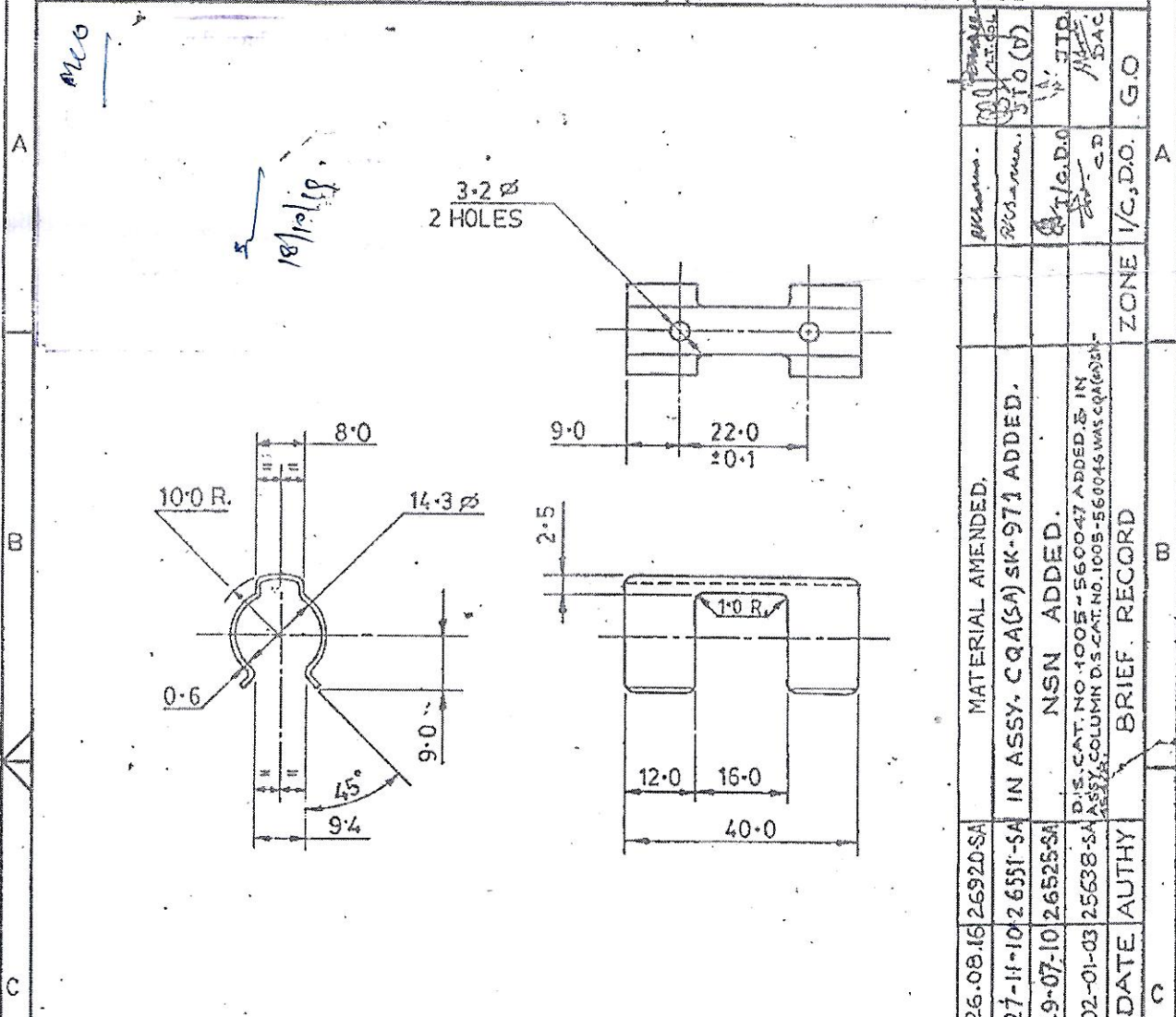
1005-560047 — 1

प्रमाण की सही प्रमाणित
प्रतिरूपि दिनांक.....
Certified as correct copy
of drg. on 18/11/19

Jr. V. ...

DRN. <i>Shankar</i> CHD.		TRD.	COMP.	AHSP. CQA(SA) ICHAPUR
SCALE :- 2 : 1		EST. MASS		ASSY. 1005-560619-SH-1
08-03-11 26580-SA	1005-560702 WAS CQA(SA)SK-972	APPROVED		⊕
04-03-11 26578-SA	D.S. CAT. NO. ADDED	DT. 17-11-09	FOR CQA(SA)	DGNR'S. 1005-560617...
27-12-10 26550-SA	ASSY. NO. 1005-560619-SH-1 WAS CQA(SA)SK-760 & DGNR'S REF. 1005-560617 WAS CQA(SA)SK-743	IC. DO		REF.
17-11-09 26474-SA	DRG. PROV. SEALED.			PART No.
DATE, AUTHY.	BRIEF RECORD	ZONE	NO. DO	DRG. No. CQA(SA)SK-971
SEALED :-	PROV. DC. No. 26474-SA. DT. 17-11-09	G.O.	SIGN.	D.S. CAT. No. 1005-560701
NO. MENCLATURE :- GUARD HAND UPPER ASSY.		H.T./HARDNESS :-		
		PROTECTIVE :-		
		FINISH		

1005-560047 D.S.CAT. DRAWING CONVENTIONS CONFORM TO JSS:0104
 DIMNS. ARE IN mm GEN. TOL. 'MEDIUM' IS:2102



26-08-16	26920-SA	MATERIAL AMENDED.	18/10/18	MLC
27-11-10	26531-SA	IN ASSY. CQA(SA) SK-971 ADDED.	18/10/18	MLC
19-07-10	26525-SA	NSN ADDED.	18/10/18	MLC
02-01-03	25638-SA	D.S. CAT. NO. 1005-560047 ADDED. IN ASSY. COLUMN D.S. CAT. NO. 1005-560047 WAS CQA(SA)	18/10/18	MLC
DATE	AUTHY	BRIEF RECORD	ZONE	I/C, D.O. G.O.

NSN: B1/1005-72-0000047

NOTE :- REMOVE ALL SHARP EDGES & BURRS

4-9-2001	25114-SA	DRG. PROV. SEALED		
DATE	AUTHY.	BRIEF RECORD	ZONE	I/C, D.O. G.O.
SEALED :- PROV. D.C. NO. 25114-SA DT. 4.9.2001				SIGN.
DRN. <i>Dr. Arde</i>	CHD. M.K.R.C.	TRD.	COMP.	AHSP. CQA(SA) ICHAPUR
SCALE:- 1:1		EST. MASS.		
DT. 3.9.01	<i>Dr. Arde</i> I/C; D.O.	APPROVED DT. 3.9.01	<i>MLC</i> DAC. CQA(SA)	ASSY. 1005-560047 CQA(SA) SK-971
MATERIAL :- IS:7226-1974 DESIGNATION C80				
HT/HARDNESS: 400 TO 450 HV.				DGNR'S ARDE SK.3143/112 REF. Sht 2
PROTECTIVE PHOSPHATED TO SPECN. JSS:0465-01- FINISH :- 1988 CLASS II (ACCELERATED), OIL FINISH.				PART. No.
NOMENCLATURE :- CLAMP GUARD HAND (UPPER)				DRG. No. CQA(SA) SK. 454/8/2
				D.S. CAT. No. 1005-560047