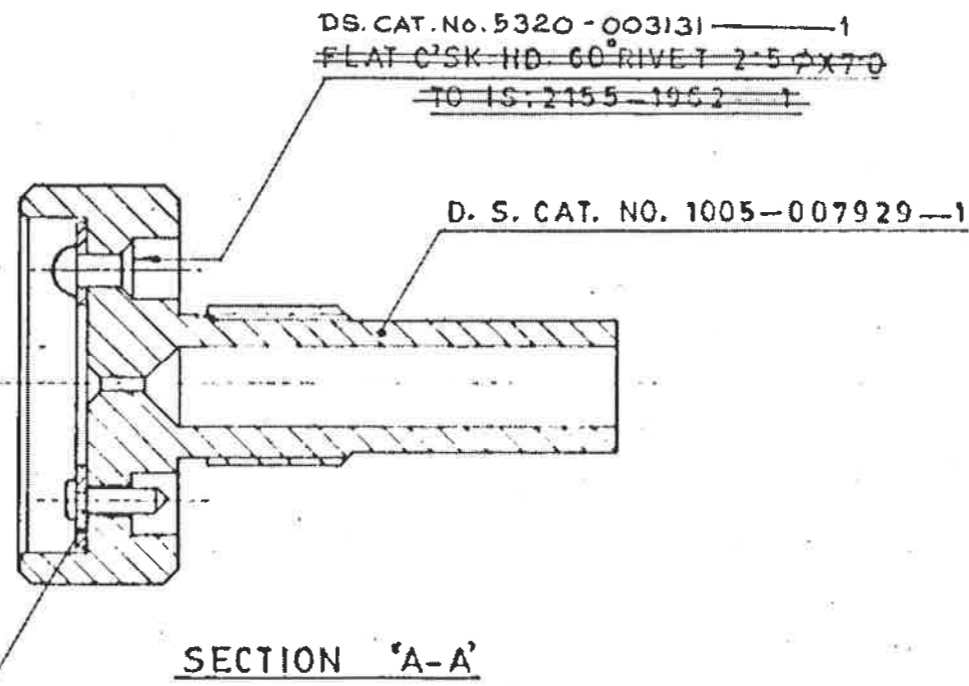
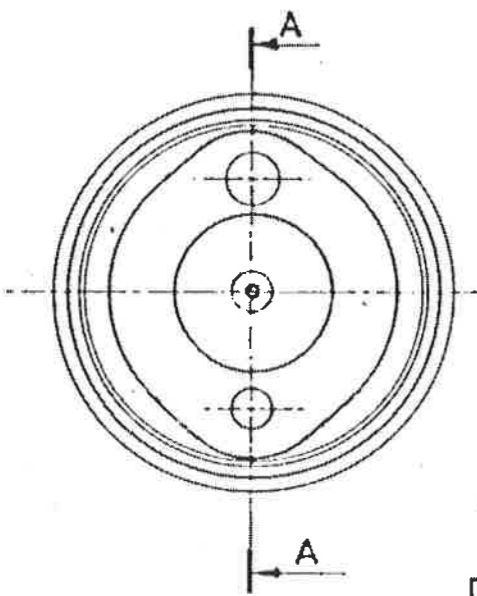


1005-007847

ON
D.S.CAT

DRAWING CONVENTIONS CONFORM TO JS6-0104
DIMNS. ARE IN mm. GEN. TOLERANCE 'COARSE' IS: 2102



DS. CAT. No. 5320-003131 — 1
~~FLAT C'SK HD 60 RIVET 2.5 φ X 7.0~~
~~TO IS: 2155-1952 — 1~~

D. S. CAT. NO. 1005-007929 — 1

D. S. CAT. NO. 5360-007378 — 1

SECTION 'A-A'

NSN: B1/1005-72-0001847

					DRN.	CHD.	TRD. <i>shansda</i>	COMP. <i>H. Sakari</i>	AHSP. CQA(SA), ICHAPUR
					SCALE: - 2:1		EST. MASS.		ASSY.
12.7.10	26521-SA	NSN ADDED		<i>AKSANA FOR CO</i>					
29.12.05	26122-SA	DS CAT NO. 5320-003131 ADDED	315.6	<i>AKSANA FOR CO</i>	DT. 16-12-97	<i>Arlo</i> I/C; D.O.	APPROVED. DT. 14.2.85	NEG. RE-TRACED	ARDE SK.2992
16.12.97	23987-SA	PROFORMA CHANGED, NEG. RE-TRACED AND DRG. PROV. RE-SEALED		<i>Arlo</i>					PART NO.
		PREVIOUS D. C. NO. 23787-SA.		COPY					DRG. NO.
DATE	AUTHY.	BRIEF RECORD	ZONE	I/C D.O.	G. O.	H.T./HARDNESS			D.S. CAT. NO.
SEALED:- PROV. D.C. NO. 23787-SA, Dt. 28.3.97				SIGN.		PROTECTIVE FINISH.			1005-007847
NOMENCLATURE:- FIRING ATTACHMENT BLANK AMMUNITION									