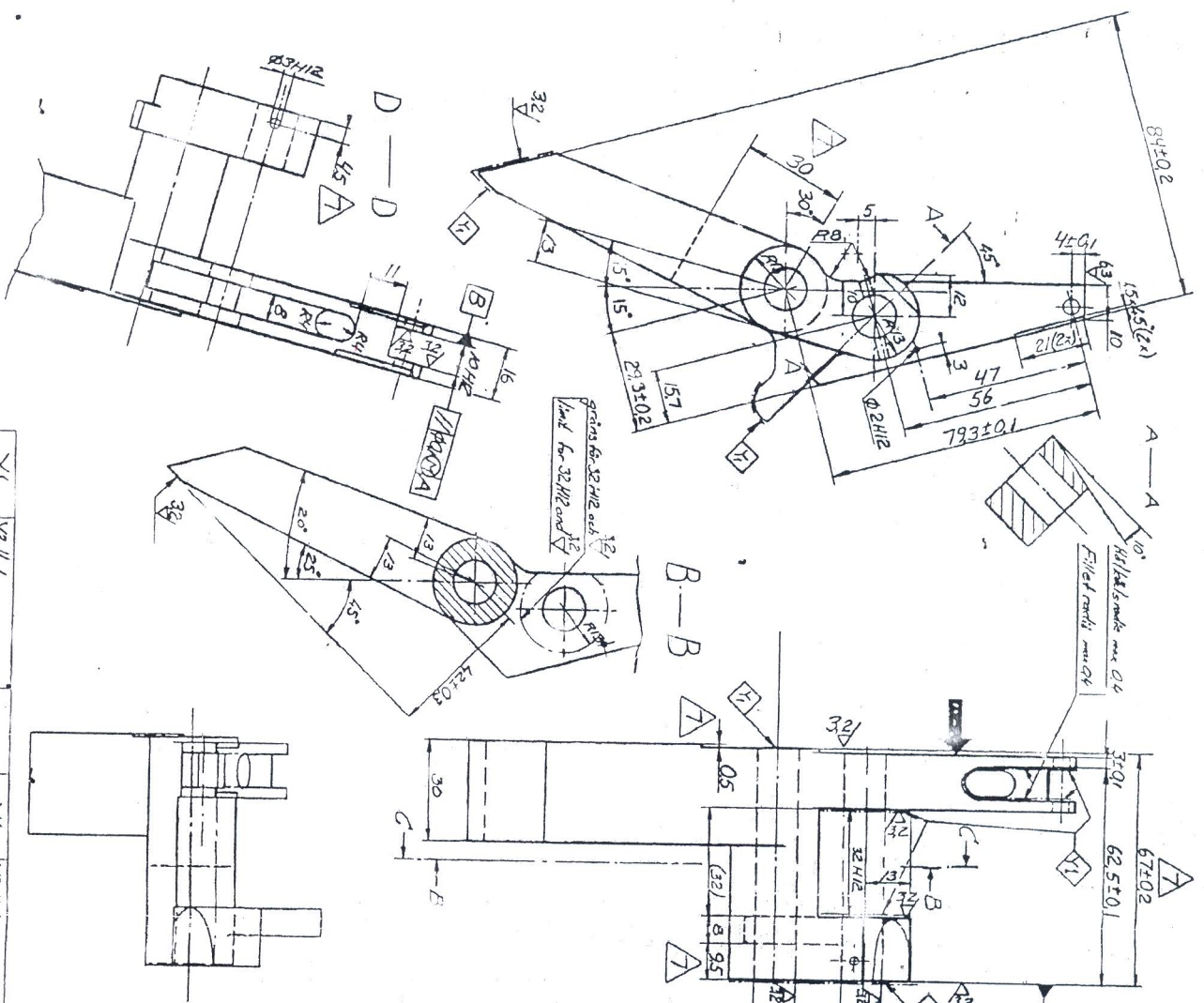


Machining Tolerance acc. to T2-2 (med)



Symbol	Surface Finish	Symbol	Surface Finish
3.2	±0.100	0	0
1.6	±0.100	0	0
0.8	±0.100	0	0
0.4	±0.150	0	0
0.2	±0.250	0	0
0.1	-0.100	0	0

FOR REFERENCE
 JMWDO.....
 Original Mat: SS 2244-64
 COMPARABLE MATERIAL
 BS 970 Pt 1:1963, 708 M40
 ALT MATL - 152 2644-1986 GRADE 3CS 840

Surface Treatment:
 Y3-11-1, Y3-11, Y4-26-10-600
 Locally

Material handling bar...
 Material Treatment specification 12003
 06/10/2013

Y1	Y3-11-1	Edge	Y1	Y3-11	Zone
Symbol	Y3-11-1	Local surface treatment	Symbol	Y3-11	Zone

ARM

FOR 155x45 CAL DHANUSH
 FIRST ANGLE PROJECTION
 D 4081495

DATE: 17-06-2014

REVISION: 1 B

STORE DETAILS
 ORDNANCE DEVELOPMENT CENTRE
 ORDNANCE FY, KANPUR

PREPARED BY: JMWDO
 APPROVED BY: JMWDO

NOTE REGARDING CAD/DRAWING TESTS: 1. 2. 3. 4. 5. 6. 7. 8. 9. 10. 11. 12. 13. 14. 15. 16. 17. 18. 19. 20. 21. 22. 23. 24. 25. 26. 27. 28. 29. 30. 31. 32. 33. 34. 35. 36. 37. 38. 39. 40. 41. 42. 43. 44. 45. 46. 47. 48. 49. 50. 51. 52. 53. 54. 55. 56. 57. 58. 59. 60. 61. 62. 63. 64. 65. 66. 67. 68. 69. 70. 71. 72. 73. 74. 75. 76. 77. 78. 79. 80. 81. 82. 83. 84. 85. 86. 87. 88. 89. 90. 91. 92. 93. 94. 95. 96. 97. 98. 99. 100.

(Based on 4081495 Original)