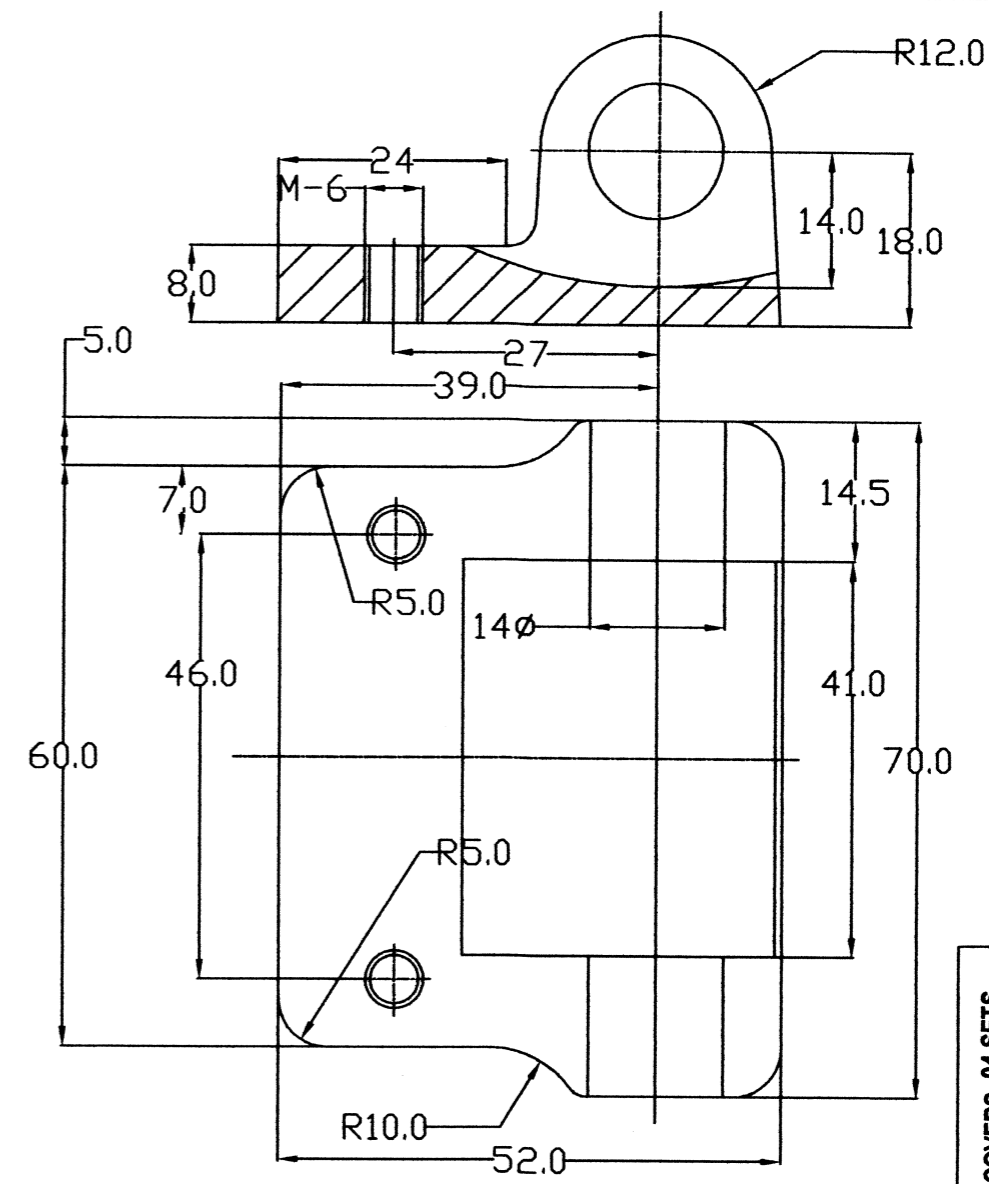
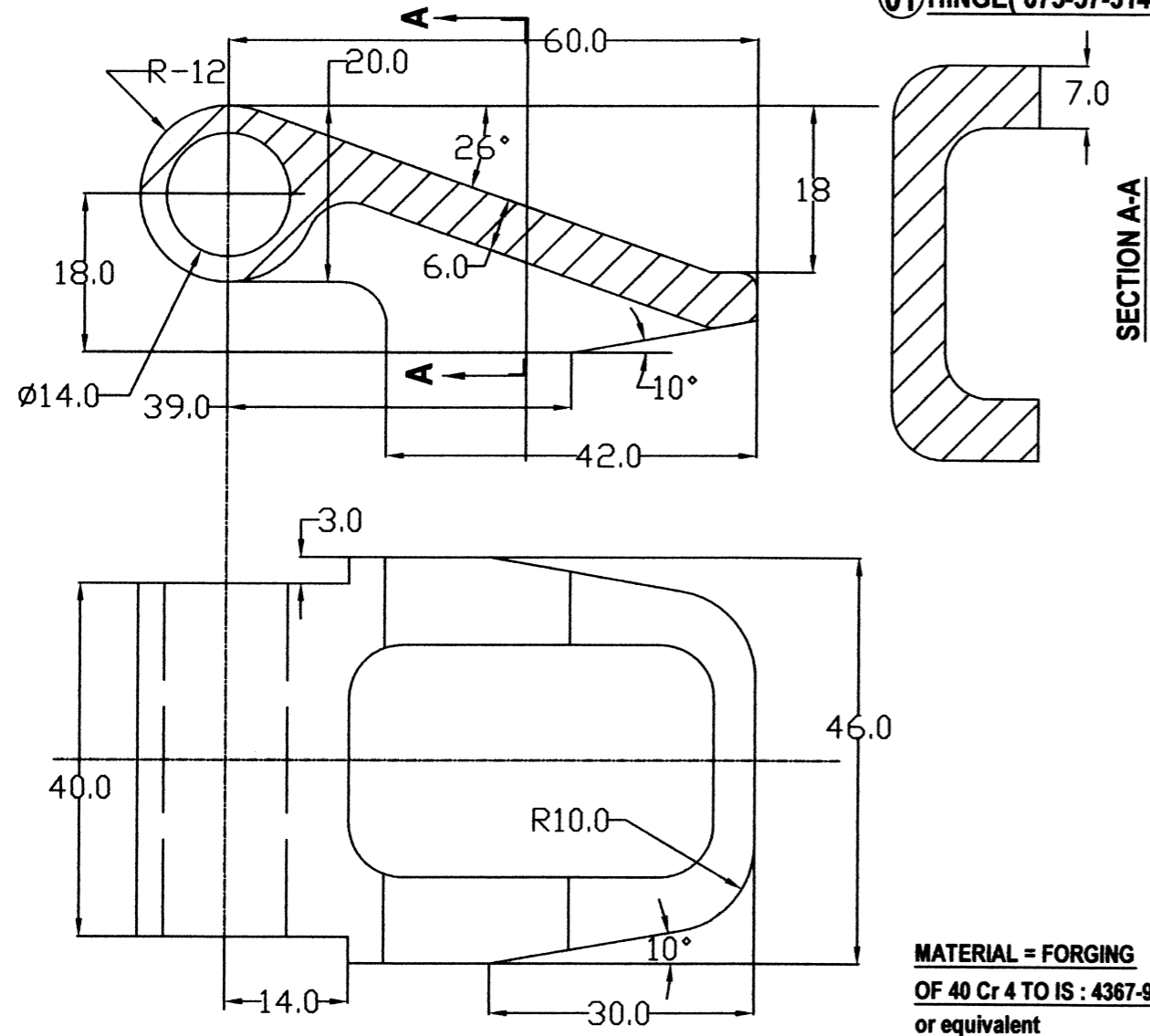
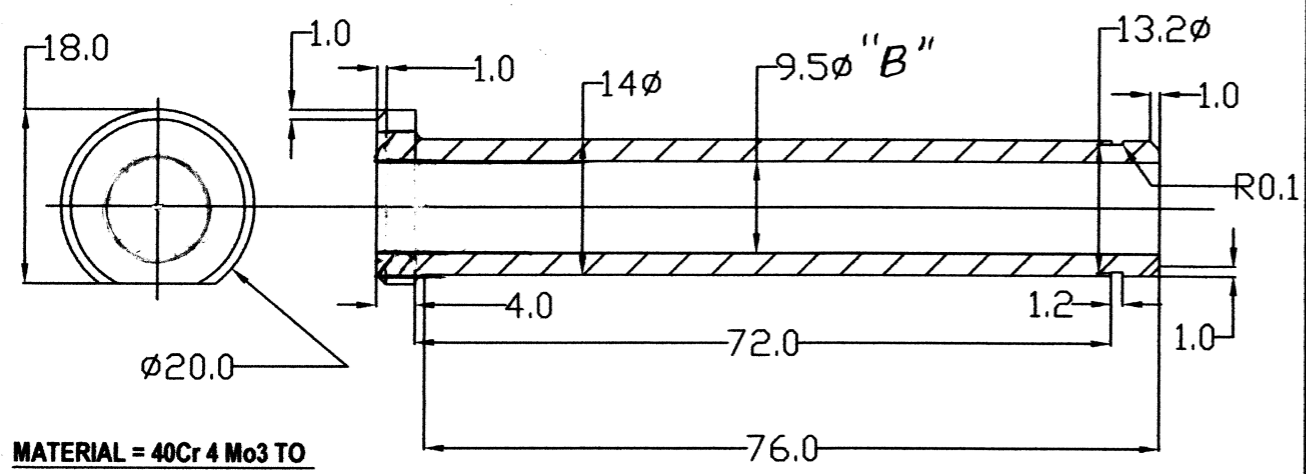


01 HINGE (675-57-314)

02 HINGE (675-57-312)



03 PIN (675-57-311)



AMMENDMENTS "B" ITEM NO.03 PIN(675-57-311) THE HOLE OF 9.5φ MADE THROUGH  
 DATE:- 12/04/2012  
 APPROVED BY AWM/FS JWM/FS-I JWM/VDO

**NOTE:-**  
 ALL THE COMPONENTS BE SUPPLIED IN ASSEMBLED CONDITION.  
 PILOT SAMPLE TO BE APPROVED BEFORE BULK SUPPLY  
 ALL DIMENSIONS ARE IN MM.  
 THIS DRAWING SUPERSEDS PREVIOUS DRAWING VIDE NOS.- 675-57-311,312,314.  
 (A) TITLE BLOCK AMMENDED

APPROVED BY  
 JtGM/V

ITEM	DESCRIPTION	NO. OFF.	MAT.	STD.	SIZE/WT.	REMARKS
03	PIN	01	AS GIVEN	---	AS SHOWN	
02	HINGE-II	01	AS GIVEN	---	AS SHOWN	
01	HINGE-I	01	AS GIVEN	---	AS SHOWN	

JWM/VDO		WM/BS	
C. SINGH	DRN.	CKD.	APPD.
675-57-311,312,314		N.T.S.	
REF. DRG. NO.		SCALE	
MACHINE		14/09/09	
M. P. V.		DATE	
REF. DEM. NO.		1/1	
DRG. NO.- HULL/MPV/114/B		SHTS.	

DRIVER HATCH COVERS -04 SETS.  
 QTY./VEH. = 04 ASSY.

HINGES FOR DRIVER HATCH ASSY. MPV

VEHICLE FACTORY JABALPUR