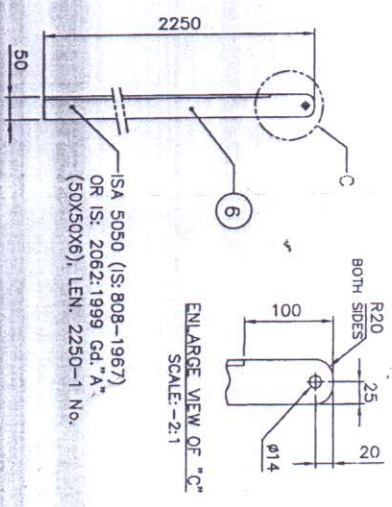
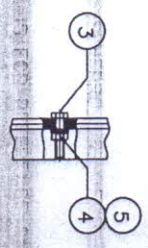
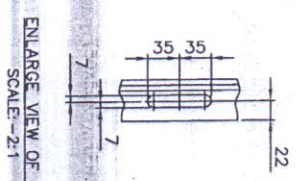


MS PLATE -1 No.
(2500X1250X5mm Thk.)
IS: 2062:1999 Gd."A"
ISA 5050 (IS: 808-1967)
OR IS: 2062:1999 Gd."A"
(50X50X6) LEN. 2900-2 Nos.



- NOTES:**
- 1) THIS DRG. IS REPRODUCED FROM T.B.R.L., CHANDIGARH DRG. No. WH/TARGET/5/01
 - 2) THIS DRG. IS FOR REFERENCE ONLY.

ITEM NO	MATERIAL	NO.OFF	NOMENCLATURE	REMARKS
1	STD.	2	MS ANGLE	50X50X6
2	STD.	1	MS PLATE	5mm Thk.
3	STD.	7	HEXA HEAD BOLT	M10X50mm
4	STD.	7	HEXA NUT	FOR M10
5	STD.	14	PLAIN WASHER	FOR M10
6	STD.	1	MS ANGLE	50X50X6

APPROVED: _____
DATE: _____

PREP'D BY: _____
CHK'D BY: _____
AD/PRA (000): _____

DATE: _____

AS STATED

MASS:-

ORDNANCE FACTORY CHANDA

M.S. TARGET PLATE
(5mm Thk.)

ASSL.Y.& STORE DRG. NO.

DATE	DETAILS	NTL
DATE	DETAILS	NTL

DRG. NO.: - OFCH/PR/256
DATE: - 10-10-19
SCALE:-1:10, 1:2
SHEET: 1 OF 1