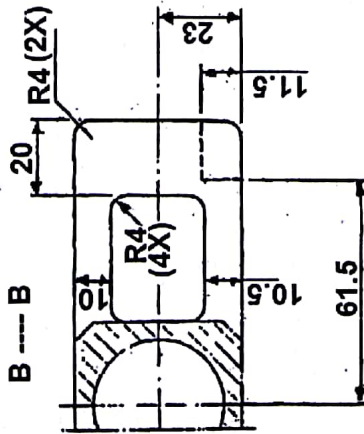
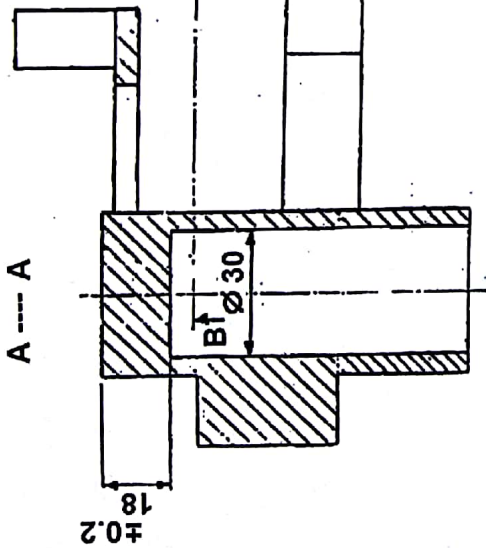


D 4082393/1

A --- A



Material : W3-2237-53 / W3-2244-64 (Casting)  
 Matl. treatment Specn. A2003

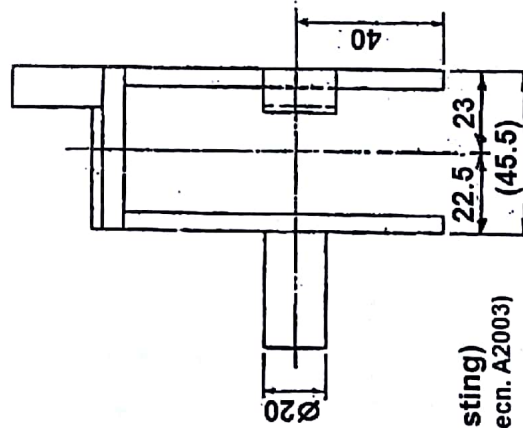
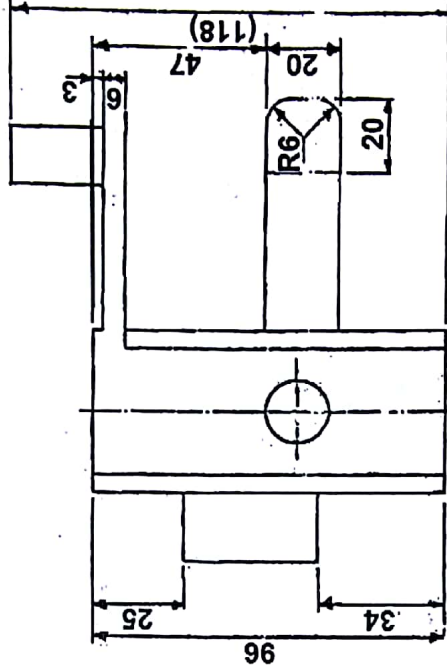
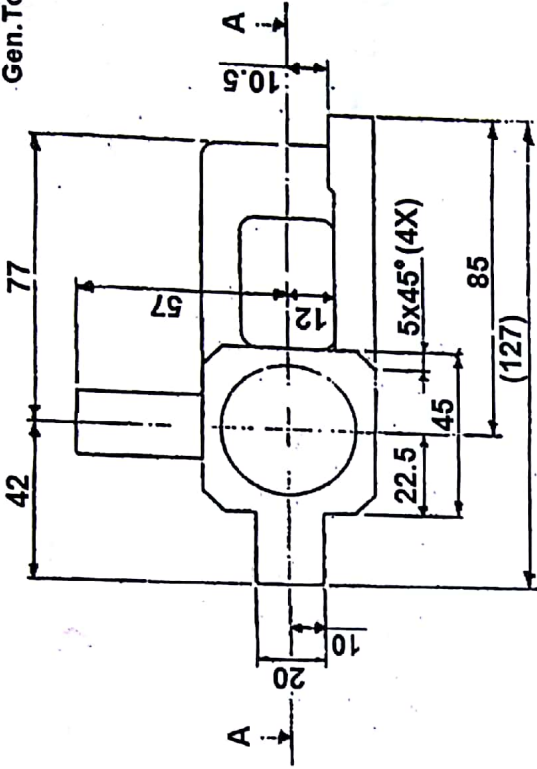
OR  
 BS : 970, Pt-1, 1983, Gde 722M24, Cond.'U'

Tolerance : SS 722 GTA 12

Inspection and delivery Specn. A2017,  
 Commercial quality

X-ray first: part samples only

Weight approx. : 1.2 kg



(Based on 4082393/1 Original)

STORE DETAILS		ORDNANCE DEVELOPMENT CENTRE ORDNANCE FY. KANPUR	
4078830		HOLDER INVESTMENT CASTING	
PREPO	WSP	FOR 155x45 CAL DHANUSH	
CHD	WSP	FIRST ANGLE PROJECTION	
JWMDO	WSP	DRG. No. : D 4082393/1	
APPROVED		SCALE: NTS	
DATE		DATE: 11-08-2016	
DETAIL		SHT 1 OF 1	
REVISIONS		DIMNS. IN mm	
NITL		REVISION A	
DO/DO		DIR/JODC	

For TRADE SUPPLY  
 JWMDO  
 06/08/2016