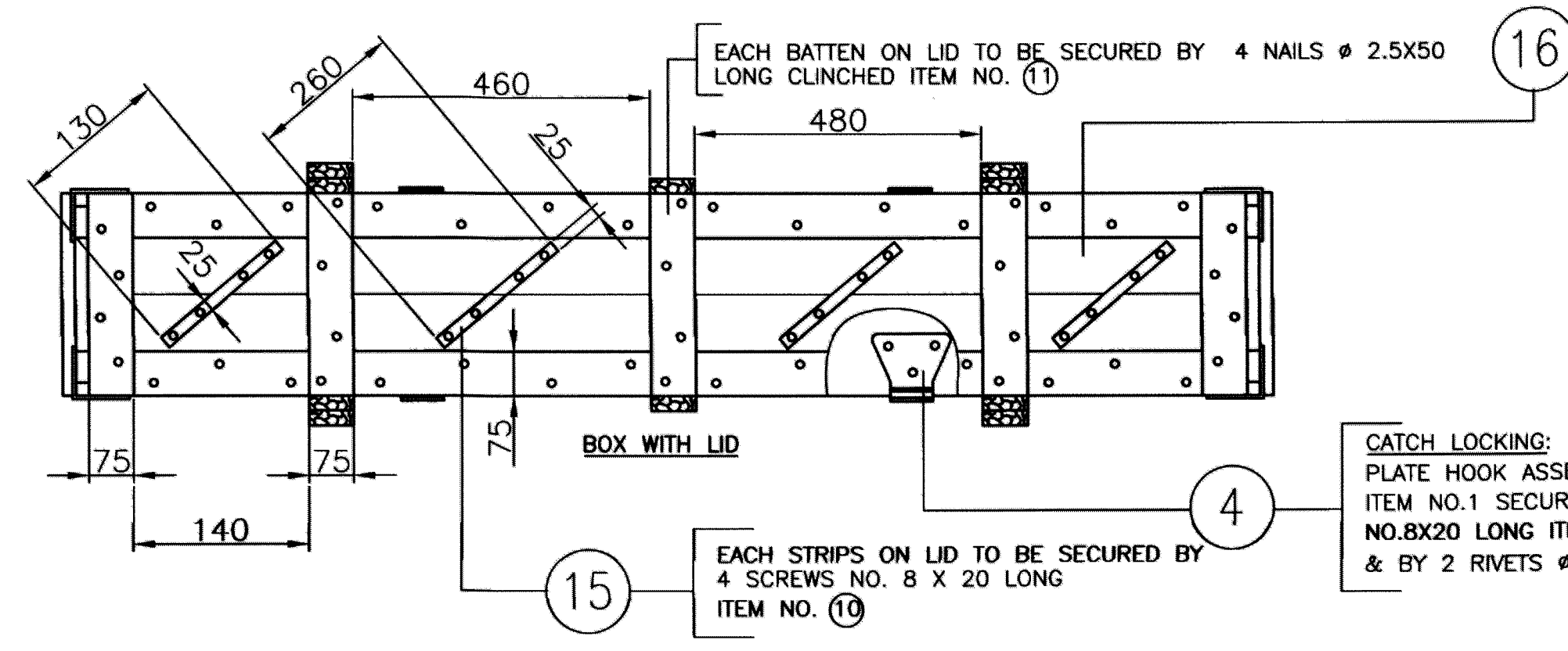


FOLLOWING TO BE PRINTED TO THE FACE MARKED 'K' & 'L' WITH READY MIXED PAINT MARKING YELLOW GOLDEN (ISC-356 TO IS:5) TO SPECN. IS:138-1981 IN 30mm LETTER HEIGHT.

LIST OF COMPONENTS

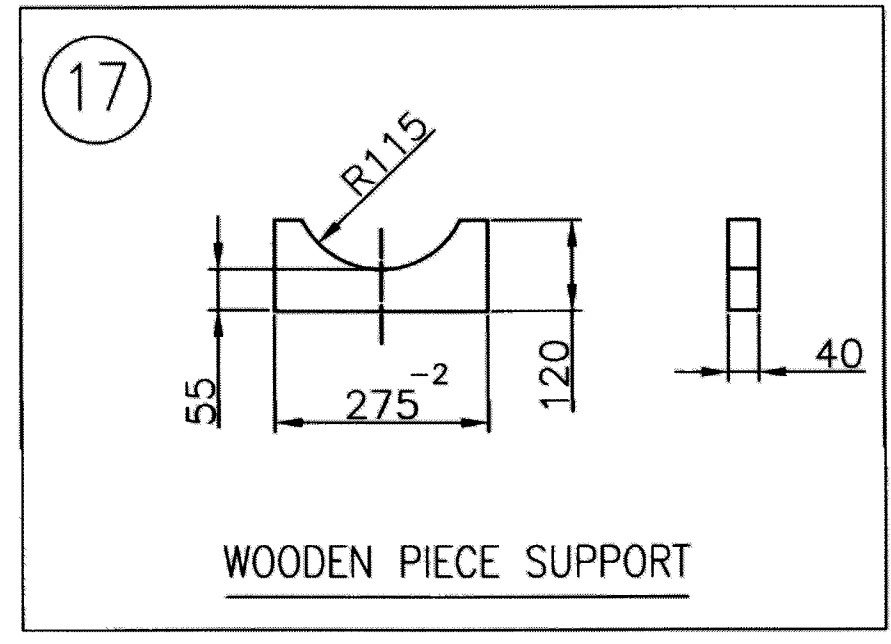
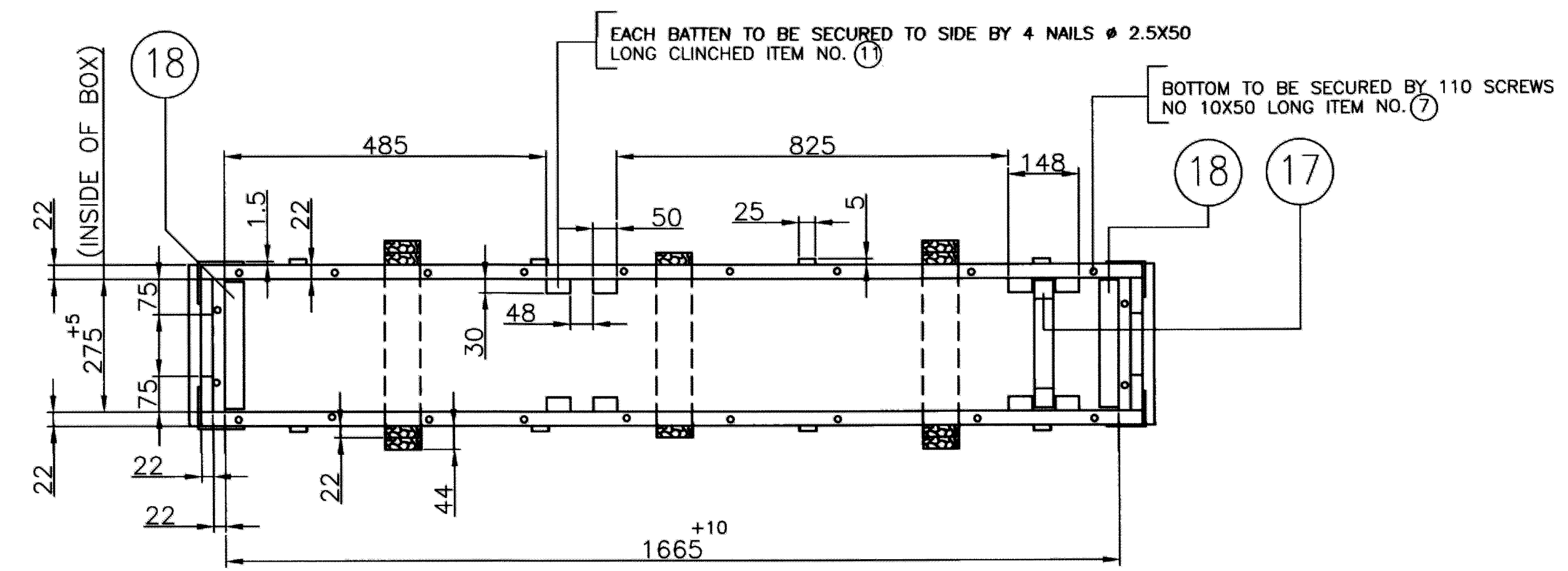
ITEM NO	DESCRIPTION	DESIGN REF	PART NO	NO OFF
1	CATCH	I A 1053,SHT -2	ISV : 283	4
2	HASP	I A 1053,SHT -3	ISV : 284	4
3	LINK	I A 1053,SHT -4	ISV : 285	4
4	PLATE HOOK	I A 1053,SHT -5	ISV : 286	4
5	PLATE ANGLE	I A 1053,SHT -9	ISV : 8	8
6	'U' CLAMP MS.			4
7	WOOD SCREW MS C'SK HD. NO.10 X50 LONG.			60
8	WOOD SCREW MS C'SK HD. NO.8 X40 LONG.			8
9	WOOD SCREW MS C'SK HD. NO.8 X35 LONG.			16
10	WOOD SCREW MS C'SK HD. NO.8 X20 LONG.			64
11	NAIL WIRE MS. PLAIN HD. Ø2.5 X 50 LONG.			75
12	RIVET MS FLAT HD. Ø5 X 26 LONG.			16
13	ALUMINIUM TUBE : ID-16.5 X OD-19 X 100 LONG.			4
14	HANDLE ROPE			4
15	STRIP STRENGTHENING MS. (3 THICK)			4
16	LID			1
17	WOODEN PIECE SUPPORT (TOP & BOTTOM)			4
18	WOODEN PIECE PACKING END (SIZE:-325 X 270 X 40 THICK)			2



COMPT.
EMPTY: WARHEAD-RHE/
PF/INCENDIARY
STORE: ROCKET PINAKA
QTY.-1, LOT NO.-
BOX NO.-

सेवा में,
वरीष्ठ महाप्रबंधक
ऑ. फे. चांदा
द्वारा --
वरीष्ठ महाप्रबंधक
ऑ. फे. अम्बाझरी

TO BE PRINTED TO THE BACK FACE OF ENGLISH VERSION. OTHER DETAILS AS PER ENGLISH PRINTING.



IMPORTANT :-

ON COMPLETION OF THE EMPTY BOX BEFORE DELIVERY CATCH LOCKING MUST BE SECURED BY A PIECE OF WIRE SOFT IRON Ø0.5 TO Ø1.0 TO PREVENT DAMAGE TO THE CATCH LOCKING DURING TRANSIT.

PAINTING :-

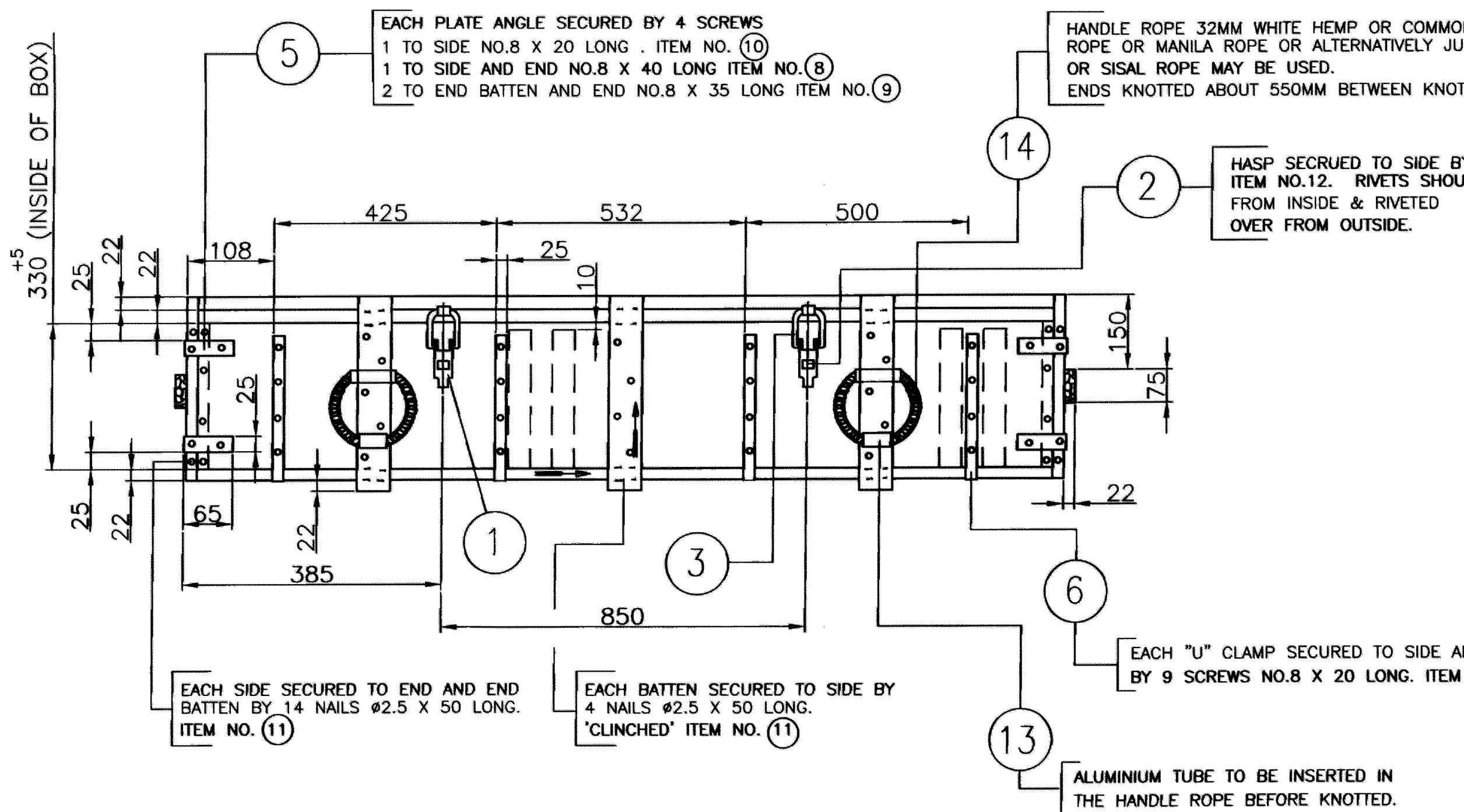
BOX INCLUDING ALL STEEL FITTINGS TO BE PAINTED EXTERNALLY WITH A PRIME COAT OF STANDARD WOODEN PRIMER FOLLOWED BY READY MIXED PAINT QUICK DRYING MATT FOR GENERAL PURPOSES TO SPEC. IS : 168. FINISHING COAT PAINT COLOUR GREEN OLIVE (IS:5, 1SC-220)

MATERIAL :-

ONLY THE SPECIES OF TIMBER FROM MANGO/JAMUN/SHISHAM/BABUL/SEMUL/DEV DARU AS SHOWN IN APPENDIX 'A' OF SPEC. IND/ME/883. (PROV.) WHICH MUST CONFIRM TO THE CONDITIONS LAID DOWN THEREIN WILL BE USED IN THE MANUFACTURE OF BOX. AFTER SEASONING, TIMBER SHOULD BE DULY TREATED WITH PRESERVATIVE LIKE COPPER NAPHTHANATE ETC., AS PER APPENDIX 'C' OF SPEC. IND/ME/883. (PROV.) TENDER SHOULD CLEARLY INDICATE IN QUOTATION WHICH SPECIES OF TIMBER ARE INTENDED TO BE USED OTHERWISE THE QUOTATION IS INVALID.

NOTES :-

DIRECTION OF GRAINS SHOWN THUS. → ALL STEEL FITTINGS SCREWS NAILS RIVETS TO BE TINNED OR SUITABLY RUST PROOFED. ALL SCREWS TO BE WOOD MS C'SK HD. TO SPEC. IS : 6760. ALL NAILS TO BE ROUND MS WIRE PLAIN HD. TO SPEC. IS: 723. ALL RIVETS TO BE MS FLAT HD. TO SPEC. IS : 2155. THE BOXES SHOULD BE REPLACED FREE OF COST IF ANY DEFECT IS NOTICED AT A LATER DATE. A TOLERANCE OF -2 mm IN CASE OF WIDTH AND -0 mm INCASE OF THICKNESS SHALL BE PERMITTED ON THE NOMINAL SIZES OF BATTENS BEING USED FOR THE MANUFACTURE OF THE BOX. TOLERANCES ON OTHER UNTOLERATED DIMS ARE AS FOLLOWS.
DIMNS UPTO 30mm - ±1mm
30 to 120mm - ±1.5mm
120 to 400mm - ±2.5mm
400 to 1000mm - ±4.0mm
1000 to 3500mm - ±6.0mm



STOWAGE DIMNS.

LENGTH - 1800
WIDTH - 410
HEIGHT - 425

CONTRACTOR'S INITIALS OR RECOGNISED TRADE MARK: TO BE STAMPED OR BRANDED IN 10 TYPE AT BOTTOM.
YEAR OF MANUFACTURE:
BOX DRG. NO. FS-2435B

144 2012	27-09 2012	SIDE VIEW AMENDED AS PER FRONT VIEW. DRG. ADVANCED TO 'C'.	JGM/RS	DIMENSIONS ARE IN mm.	MATERIAL - AS STATED ABOVE	आइसैन्स फैक्टरी अम्बाझरी DRG. NO : FS-2435c
289/10 B	14.12.10	BOX LENGTH SHORTENED. RELATED DIMNS CHANGED ACCORDINGLY. SPECIES OF TIMBER MENTIONED. PAINTING WITH STD. WOOD PRIMER SPECIFIED. BATTENS DIMNS SPECIFIED WITH TOLERANCES. UNTOLERATED DIMNS TOLERATED ALSO. DRG. NO. ADVANCED TO 'B'.	WV/RS	THIRD ANGLE PROJECTION	NOMENCLATURE	
144/04 A	17.05.04	PRINTING MATTER IN HINDI ADDED. DRG.NO. ADVANCED TO 'A'.	S.K.D.E JGM/RSD	SCALE - NTS	WOODEN PACKING BOX (TO HOLD 1 WARHEAD)	SHEET NO.- 1
REV	DATE	DESCRIPTION	SIGN	DATE	SCHEDULE NO.	NO OF SHEETS- 1
		AMENDMENTS			STORE: ROCKET PINAKA	OPN. -
					COMPT. WARHEADS (RHE/PF/INCENDIARY)	