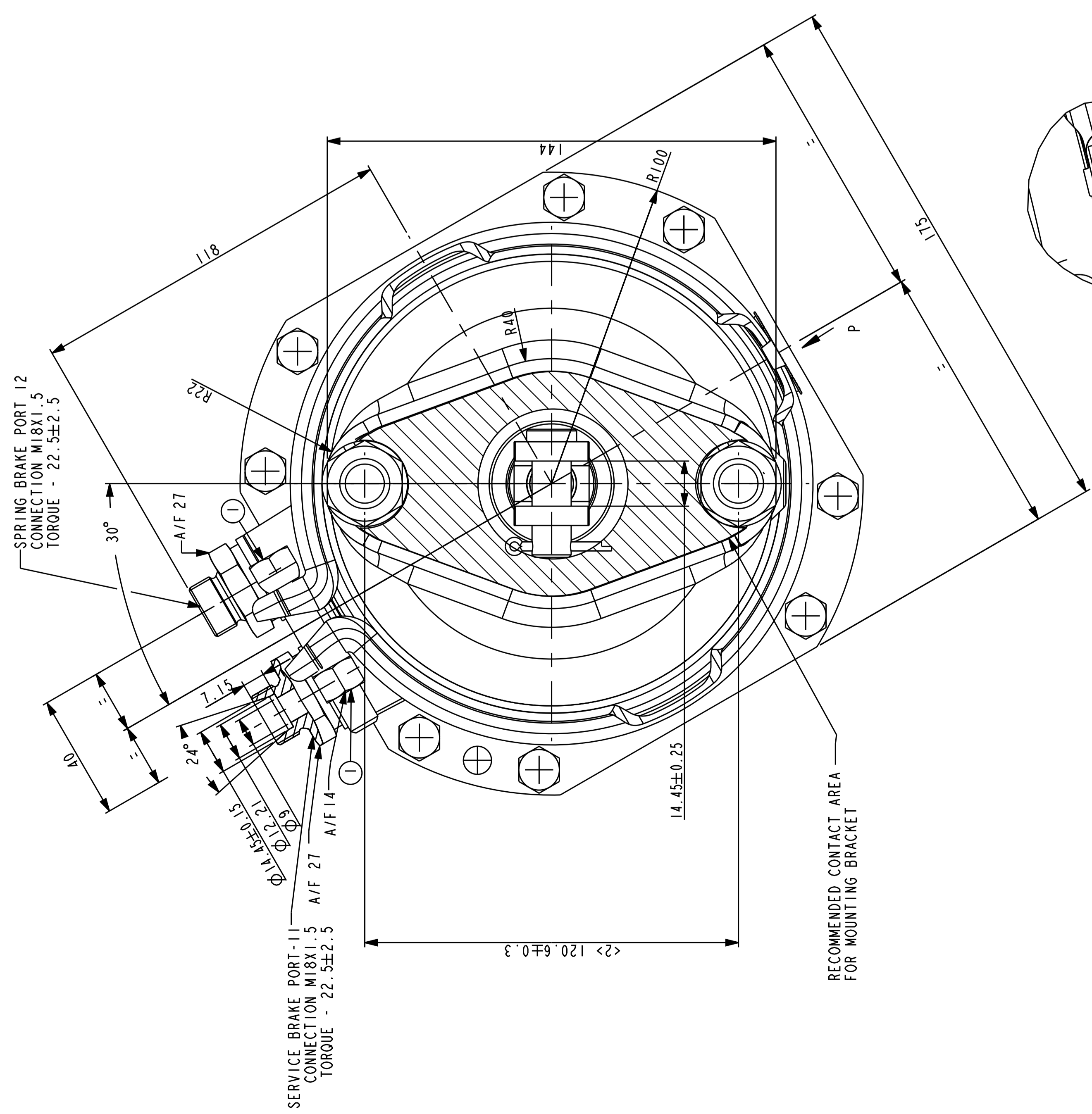
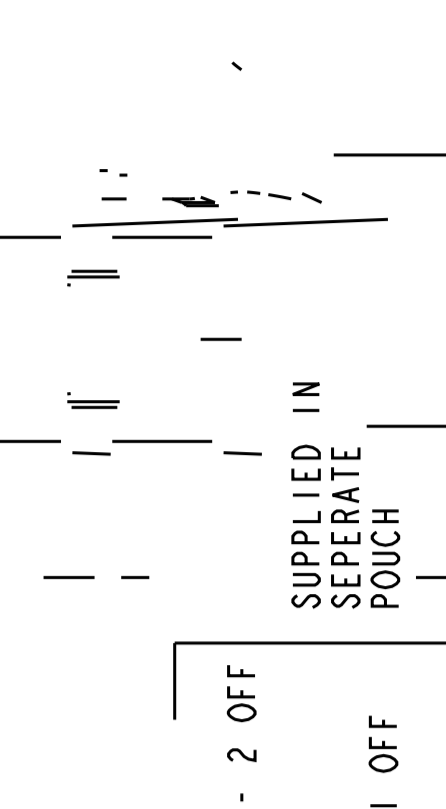
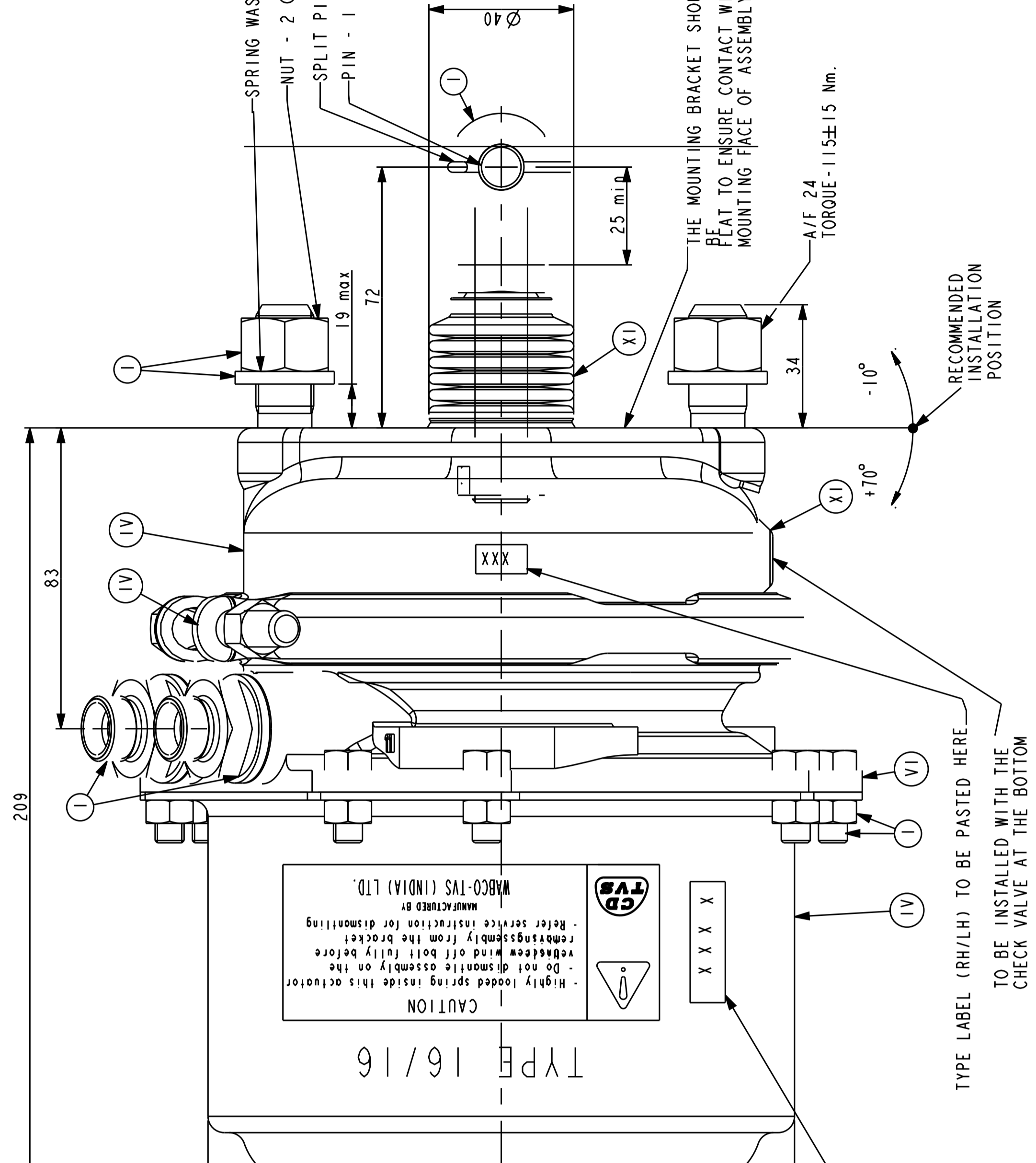


MSP ..... REPAIR KIT CONSISTS OF ITEMS SHOWN

S.I. No	WT/L	PART No.	DESCRIPTION	QTY
1	1.8920	100094	KNURL PIN	1
2	1.8910	10120	SEALING WASHER	1
3	1.8952	400024	BEARING	1
4	1.9253	401404	INTEGRAL SEAL	1
5	1.8978	802084	SEALING RING	1
6	1.8275	5040	GAITER	1
7	1.8275	5030	CHECK VALVE	1
8	1.8971	200154	DIAPHRAGM	1
9	1.8270	1030	BEARING	1
10	1.8255	60	SEALING RING	1
11	1.8652	0860	SEALING RING	1
12	1.8308	10	ADAPTOR	2
13	1.8259	40	WASHER	2
14	1.8912	620	SEALING RING	2
15	1.8919	1910	GREASE SACHET	4



WIND OFF BOLT TO BE TIGHTENED WITH A TORQUE OF 20.5±2.5 Nm FULLY WOUND IN AND 22.5±2.5 Nm WHEN FULLY WOUND OUT



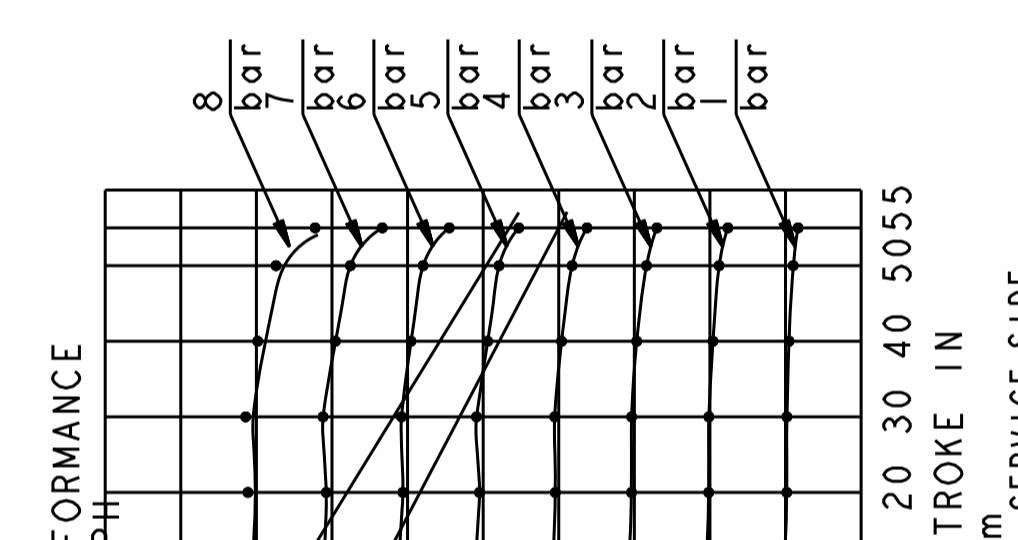
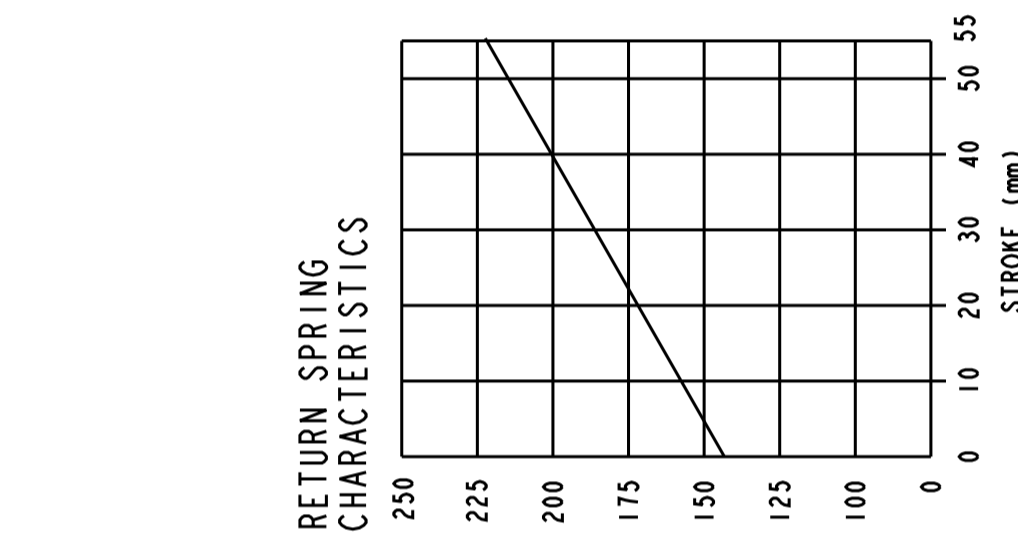
S.I. No	PRODUCT FUNCTION AND RELIABILITY	ISSUE No. / DATE:	925 304 0110
1.1	PRODUCT SPECIFICATION No		AIR
1.2	WORKING MEDIUM		8 bar
1.3	PORT 11, SERVICE BRAKE SYSTEM, WORKING PRESSURE		10 bar
1.4	PORT 12, SPRING BRAKE CYLINDER, WORKING PRESSURE		10 bar
1.5	PORT 11, MAXIMUM WORKING PRESSURE (TEMPORARILY)		57 mm min
1.6	PORT 12, MAXIMUM WORKING PRESSURE (TEMPORARILY)		136 mm
1.7	SERVICE BRAKE STROKE		57 mm min
1.8	INNER DIAMETER OF SERVICE BRAKE		157.4 mm
1.9	SPRING BRAKE STROKE		4.2±0.4 bar
1.10	INNER DIAMETER OF SPRING CHAMBER		4.6±0.4 bar
1.11	HOLD OFF PRESSURE		-40°C TO +80°C
1.12	RELEASE PRESSURE		< 0.3 bar
1.13	THERMAL RANGE OF APPLICATION		< 0.5 bar
1.14	PRESSURE AT WHICH PUSH ROD STARTS MOVING (LIFT-OFF PRESSURE AT 0 mm STROKE)		1° 18' max
1.15	PRESSURE AT WHICH PUSH ROD IS FULLY OUT (LIFT-OFF PRESSURE AT 75 mm STROKE)		3° 48' max
1.16	ARTICULATION FOR PUSH ROD IN ANY DIRECTION (AT ZERO STROKE)		240 HOURS OF NSS
1.17	ARTICULATION FOR PUSH ROD IN ANY DIRECTION (AT FULL STROKE)		
1.18	CORROSION RESISTANCE		
2	QUALITY COMPLIANCE TESTS ARE CONDUCTED REGULARLY AS PER CLAUSE NO. 16 OF PS 304 011 0		
3	SERVICE LIFE TO FIRST OVERHAUL IF FITTED AS PER RECOMMENDED LAYOUT		
4	ASSEMBLY WILL BE SUPPLIED WITH SPRING SIDE IN FULLY WOUND OUT CONDITION		
5	OPEN PORTS ARE FITTED WITH CLOSURE SLEEVE FOR STORAGE		

▲ KEY IDENTIFICATION AND SIGNIFICANT CHARACTERISTICS

▲ THERE SHOULD BE NO AIR LEAKAGE WHEN PARKING BRAKE IS APPLIED.

▲ SERVICE BRAKE ARE APPLIED TOGETHER.

TESTED AND APPROVED VIDE FIR NO. VT/TR/137/08 DATED 04.04.08



CODE	PART MATERIAL	TREATMENT
1	STEEL	NO TREATMENT
2	CAST IRON	PAINTED
3	STEEL	ZINC FROM PLATED
4	STEEL	NO TREATMENT
5	ZINC ALLOY	ANODISED
6	STEEL	NO TREATMENT
7	STEEL	NO TREATMENT
8	STEEL	NO TREATMENT
9	ZINC ALLOY	CHROMIATED
10	ALUMINIUM ALLOY	ANODISED
11	STEEL	NO TREATMENT
12	STEEL	NO TREATMENT
13	STEEL	NO TREATMENT
14	STEEL	NO TREATMENT
15	STEEL	NO TREATMENT
16	STEEL	NO TREATMENT
17	STEEL	NO TREATMENT
18	STEEL	NO TREATMENT
19	STEEL	NO TREATMENT
20	STEEL	NO TREATMENT
21	STEEL	NO TREATMENT
22	STEEL	NO TREATMENT
23	STEEL	NO TREATMENT
24	STEEL	NO TREATMENT
25	STEEL	NO TREATMENT
26	STEEL	NO TREATMENT
27	STEEL	NO TREATMENT
28	STEEL	NO TREATMENT
29	STEEL	NO TREATMENT
30	STEEL	NO TREATMENT
31	STEEL	NO TREATMENT
32	STEEL	NO TREATMENT
33	STEEL	NO TREATMENT
34	STEEL	NO TREATMENT
35	STEEL	NO TREATMENT
36	STEEL	NO TREATMENT
37	STEEL	NO TREATMENT
38	STEEL	NO TREATMENT
39	STEEL	NO TREATMENT
40	STEEL	NO TREATMENT
41	STEEL	NO TREATMENT
42	STEEL	NO TREATMENT
43	STEEL	NO TREATMENT
44	STEEL	NO TREATMENT
45	STEEL	NO TREATMENT
46	STEEL	NO TREATMENT
47	STEEL	NO TREATMENT
48	STEEL	NO TREATMENT
49	STEEL	NO TREATMENT
50	STEEL	NO TREATMENT
51	STEEL	NO TREATMENT
52	STEEL	NO TREATMENT
53	STEEL	NO TREATMENT
54	STEEL	NO TREATMENT
55	STEEL	NO TREATMENT
56	STEEL	NO TREATMENT
57	STEEL	NO TREATMENT
58	STEEL	NO TREATMENT
59	STEEL	NO TREATMENT
60	STEEL	NO TREATMENT
61	STEEL	NO TREATMENT
62	STEEL	NO TREATMENT
63	STEEL	NO TREATMENT
64	STEEL	NO TREATMENT
65	STEEL	NO TREATMENT
66	STEEL	NO TREATMENT
67	STEEL	NO TREATMENT
68	STEEL	NO TREATMENT
69	STEEL	NO TREATMENT
70	STEEL	NO TREATMENT
71	STEEL	NO TREATMENT
72	STEEL	NO TREATMENT
73	STEEL	NO TREATMENT
74	STEEL	NO TREATMENT
75	STEEL	NO TREATMENT
76	STEEL	NO TREATMENT
77	STEEL	NO TREATMENT
78	STEEL	NO TREATMENT
79	STEEL	NO TREATMENT
80	STEEL	NO TREATMENT
81	STEEL	NO TREATMENT
82	STEEL	NO TREATMENT
83	STEEL	NO TREATMENT
84	STEEL	NO TREATMENT
85	STEEL	NO TREATMENT
86	STEEL	NO TREATMENT
87	STEEL	NO TREATMENT
88	STEEL	NO TREATMENT
89	STEEL	NO TREATMENT
90	STEEL	NO TREATMENT
91	STEEL	NO TREATMENT
92	STEEL	NO TREATMENT
93	STEEL	NO TREATMENT
94	STEEL	NO TREATMENT
95	STEEL	NO TREATMENT
96	STEEL	NO TREATMENT
97	STEEL	NO TREATMENT
98	STEEL	NO TREATMENT
99	STEEL	NO TREATMENT
100	STEEL	NO TREATMENT

PORT	CLAMP RING ORIENTATION	REMARK
To be Allocated	BASIC DRG	LH
To be Allocated	FIG. T	RH

Part No.	Customer Part No.
2867 4210 01 84	2867 4210 01 85

Code	Part Material	Treatment
1	STEEL	NO TREATMENT
2	CAST IRON	PAINTED
3	STEEL	ZINC FROM PLATED
4	STEEL	NO TREATMENT
5	ZINC ALLOY	ANODISED
6	STEEL	NO TREATMENT
7	STEEL	NO TREATMENT
8	STEEL	NO TREATMENT
9	ZINC ALLOY	CHROMIATED
10	ALUMINIUM ALLOY	ANODISED
11	STEEL	NO TREATMENT
12	STEEL	NO TREATMENT
13	STEEL	NO TREATMENT
14	STEEL	NO TREATMENT
15	STEEL	NO TREATMENT
16	STEEL	NO TREATMENT
17	STEEL	NO TREATMENT
18	STEEL	NO TREATMENT
19	STEEL	NO TREATMENT
20	STEEL	NO TREATMENT
21	STEEL	NO TREATMENT
22	STEEL	NO TREATMENT
23	STEEL	NO TREATMENT
24	STEEL	NO TREATMENT
25	STEEL	NO TREATMENT
26	STEEL	NO TREATMENT
27	STEEL	NO TREATMENT
28	STEEL	NO TREATMENT
29	STEEL	NO TREATMENT
30	STEEL	NO TREATMENT
31	STEEL	NO TREATMENT
32	STEEL	NO TREATMENT
33	STEEL	NO TREATMENT
34	STEEL	NO TREATMENT
35	STEEL	NO TREATMENT
36	STEEL	NO TREATMENT
37	STEEL	NO TREATMENT
38	STEEL	NO TREATMENT
39	STEEL	NO TREATMENT
40	STEEL	NO TREATMENT
41	STEEL	NO TREATMENT
42	STEEL	NO TREATMENT
43	STEEL	NO TREATMENT
44	STEEL	NO TREATMENT
45	STEEL	NO TREATMENT
46	STEEL	NO TREATMENT
47	STEEL	NO TREATMENT
48	STEEL	NO TREATMENT
49	STEEL	NO TREATMENT
50	STEEL	NO TREATMENT
51	STEEL	NO TREATMENT
52	STEEL	NO TREATMENT
53	STEEL	NO TREATMENT
54	STEEL	NO TREATMENT
55	STEEL	NO TREATMENT
56	STEEL	NO TREATMENT
57	STEEL	NO TREATMENT
58	STEEL	NO TREATMENT
59	STEEL	NO TREATMENT
60	STEEL	NO TREATMENT
61	STEEL	NO TREATMENT
62	STEEL	NO TREATMENT
63	STEEL	NO TREATMENT
64	STEEL	NO TREATMENT
65	STEEL	NO TREATMENT
66	STEEL	NO TREATMENT
67	STEEL	NO TREATMENT
68	STEEL	NO TREATMENT
69	STEEL	NO TREATMENT
70	STEEL	NO TREATMENT
71	STEEL	NO TREATMENT
72	STEEL	NO TREATMENT
73	STEEL	NO TREATMENT
74	STEEL	NO TREATMENT
75	STEEL	NO TREATMENT
76	STEEL	NO TREATMENT
77	STEEL	NO TREATMENT
78	STEEL	NO TREATMENT
79	STEEL	NO TREATMENT
80	STEEL	NO TREATMENT
81	STEEL	NO TREATMENT
82	STEEL	NO TREATMENT
83	STEEL	NO TREATMENT
84	STEEL	NO TREATMENT
85	STEEL	NO TREATMENT
86	STEEL	NO TREATMENT
87	STEEL	NO TREATMENT
88	STEEL	NO TREATMENT
89	STEEL	NO TREATMENT
90	STEEL	NO TREATMENT
91	STEEL	NO TREATMENT
92	STEEL	NO TREATMENT
93	STEEL	NO TREATMENT
94	STEEL	NO TREATMENT
95	STEEL	NO TREATMENT
96	STEEL	NO TREATMENT
97	STEEL	NO TREATMENT
98	STEEL	NO TREATMENT
99	STEEL	NO TREATMENT
100	STEEL	NO TREATMENT

Code	Part Material	Treatment
1	STEEL	NO TREATMENT
2	CAST IRON	PAINTED
3	STEEL	ZINC FROM PLATED
4	STEEL	NO TREATMENT
5	ZINC ALLOY	ANODISED
6	STEEL	NO TREATMENT
7	STEEL	NO TREATMENT
8	STEEL	NO TREATMENT
9	ZINC ALLOY	CHROMIATED
10	ALUMINIUM ALLOY	ANODISED
11	STEEL	NO TREATMENT
12	STEEL	NO TREATMENT
13	STEEL	NO TREATMENT
14	STEEL	NO TREATMENT
15	STEEL	NO TREATMENT
16	STEEL	NO TREATMENT
17	STEEL	NO TREATMENT
18	STEEL	NO TREATMENT
19	STEEL	NO TREATMENT
20	STEEL	NO TREATMENT
21	STEEL	NO TREATMENT
22	STEEL	NO TREATMENT
23	STEEL	NO TREATMENT
24	STEEL	NO TREATMENT
25	STEEL	NO TREATMENT
26	STEEL	NO TREATMENT
27	STEEL	NO TREATMENT
28	STEEL	NO TREATMENT
29	STEEL	NO TREATMENT
30	STEEL	NO TREATMENT
31	STEEL	NO TREATMENT
32	STEEL	NO TREATMENT
33	STEEL	NO TREATMENT
34	STEEL	NO TREATMENT
35	STEEL	NO TREATMENT
36	STEEL	NO TREATMENT
37	STEEL	NO TREATMENT
38	STEEL	NO TREATMENT
39	STEEL	NO TREATMENT
40	STEEL	NO TREATMENT
41	STEEL	NO TREATMENT
42	STEEL	NO TREATMENT
43	STEEL	NO TREATMENT
44	STEEL	NO TREATMENT
45	STEEL	NO TREATMENT
46	STEEL	NO TREATMENT
47	STEEL	NO TREATMENT
48	STEEL	NO TREATMENT
49	STEEL	NO TREATMENT
50	STEEL	NO TREATMENT
51	STEEL	NO TREATMENT
52	STEEL	NO TREATMENT
53	STEEL	NO TREATMENT
54	STEEL	NO TREATMENT
55	STEEL	NO TREATMENT
56	STEEL	NO TREATMENT
57	STEEL	NO TREATMENT
58	STEEL	NO TREATMENT
59	STEEL	NO TREATMENT
60	STEEL	NO TREATMENT
61	STEEL	NO TREATMENT
62	STEEL	NO TREATMENT
63	STEEL	NO TREATMENT
64	STEEL	NO TREATMENT
65	STEEL	NO TREATMENT
66	STEEL	NO TREATMENT
67	STEEL	NO TREATMENT
68	STEEL	NO TREATMENT
69	STEEL	NO TREATMENT
70	STEEL	NO TREATMENT
71	STEEL	NO TREATMENT
72	STEEL	NO TREATMENT
73	STEEL	NO TREATMENT
74	STEEL	NO TREATMENT
75	STEEL	NO TREATMENT
76	STEEL	NO TREATMENT
77	STEEL	NO TREATMENT
78	STEEL	NO TREATMENT
79	STEEL	NO TREATMENT
80	STEEL	NO TREATMENT
81	STEEL	NO TREATMENT
82	STEEL	NO TREATMENT
83	STEEL	NO TREATMENT
84	STEEL	NO TREATMENT
85	STEEL	NO TREATMENT
86	STEEL	NO TREATMENT
87	STEEL	NO TREATMENT
88	STEEL	NO TREATMENT
89	STEEL	NO TREATMENT
90	STEEL	NO TREATMENT
91	STEEL	NO TREATMENT
92	STEEL	NO TREATMENT
93	STEEL	NO TREATMENT
94	STEEL	NO TREATMENT
95	STEEL	NO TREATMENT
96	STEEL	NO TREATMENT
97	STEEL	NO TREATMENT
98	STEEL	NO TREATMENT
99	STEEL	NO TREATMENT
100	STEEL	NO TREATMENT

Code	Part Material	Treatment
1	STEEL	NO TREATMENT
2	CAST IRON	PAINTED
3	STEEL	ZINC FROM PLATED
4	STEEL	NO TREATMENT
5	ZINC ALLOY	ANODISED
6	STEEL	NO TREATMENT
7	STEEL	NO TREATMENT
8	STEEL	NO TREATMENT
9	ZINC ALLOY	CHROMIATED
10	ALUMINIUM ALLOY	ANODISED
11	STEEL	NO TREATMENT
12	STEEL	NO TREATMENT
13	STEEL	NO TREATMENT
14	STEEL	NO TREATMENT
15	STEEL	NO TREATMENT
16	STEEL	NO TREATMENT
17	STEEL	NO TREATMENT
18	STEEL	NO TREATMENT
19	STEEL	NO TREATMENT
20	STEEL	NO TREATMENT
21	STEEL	NO TREATMENT
22	STEEL	NO TREATMENT
23	STEEL	NO TREATMENT