

1	2	3	4
PART NO.		DRAWING CONVENTIONS CONFORM TO IS : 696	
DET. NO. 13		DIMNS ARE IN m.m. UNLESS OTHERWISE STATED	
SHTS. NO.		GEN. TOL. MEDIUM / <del>CLASS</del> CLASS TO IS 2102	

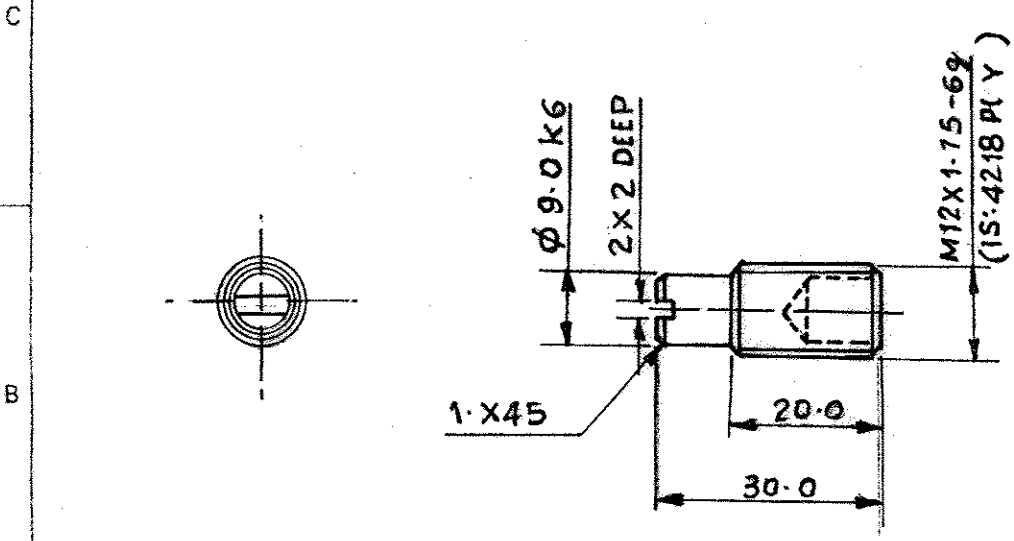
(12)

ARDE 2139

DRG. No.

NOTE :-

ALL SHARP EDGES & BURRS ARE TO REMOVED



R. NO.	DATE :	AUTHORITY	BRIEF RECORD				ZONE	CD	GO
								SIGN	

DRG. SEALED (PROV) *Alankar. Kulkarni* CRE (AA) 15-10-92

DRN. BKD	CHD. <i>M12 X 30</i>	TRD.	COMP.	ASSY. DRG. ARDE 2139 / 11
CD	PASSED	SCALE : 1:1		DESIGN AUTHORITY
APPROVED		EST. MASS:		ARDE PUNE-411 021
(RPERUMAL) S.D. <i>[Signature]</i> <small>FOR DIRECTOR</small>		GAUGE SCHD :		
MATERIAL: HEXAGONAL SOCKET SET SCREW		DATE: 11-5-90		
M12 X 30 TO IS: 6094 - FP				

PROTECTIVE FINISH : PHOSPHATED TO IS: 3618 CL 'B'	DRG. No.
STUD	ARDE 2139
	DET. No. 13 SHTS. SHT. No.
	PART No.
	D.S.CAT.No.
	A.H.S.P.