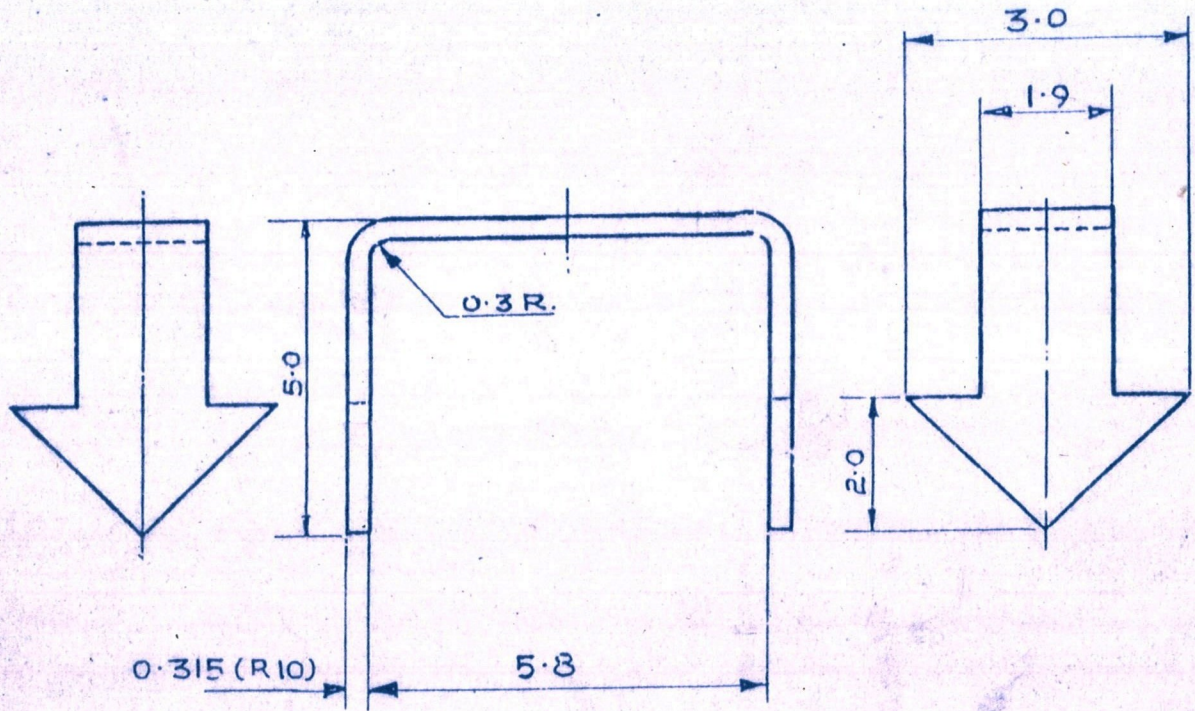


FOR EXPLANATION OF DIMENSIONING ETC, SEE CQA(I) GUIDE No. 001-1992.  
 THIRD ANGLE PROJECTION DIMENSIONS ARE IN mm

D.C:-33632-A, 5818-I.



CHECKED FOR QM

REDUCED DRG. PREPARED AT CQA(I) DEHRA DUN  
 PREPARED BY : *20.1.94 ml*  
 CHECKED BY : *R. R. Rao* DATE:

				DRN	<i>Sd-</i>	APPROVED	
				TCD	<i>Sd-</i>	FOR <i>[Signature]</i>	
				CHD	<i>Sd-</i>	CONTROLLER	
				CHD		CQA(I) D. DUN	
				USED		DATE:- 19.1.94	
	<b>D.C:-5818-I-DRG. REDUCED &amp; SEALED IN SUPERSESION OF IUX-587.</b>			20.1.94	ON		
SYMB	AMENDMENTS	CHD	S	G	DATE		
MATL & SPEC	BRASS, TO SPEC. IS:410-1977 CuZn 40.5-59.5 (B.A.S.)					BASED ON	IUX - 587
FINISH & SPEC						CAT/PT No.	
T.TITLE:-	CLIP					DRG No.	CQA (I) 408/6
						SCALE	SH OF