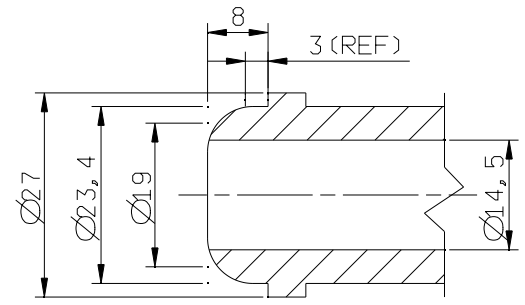
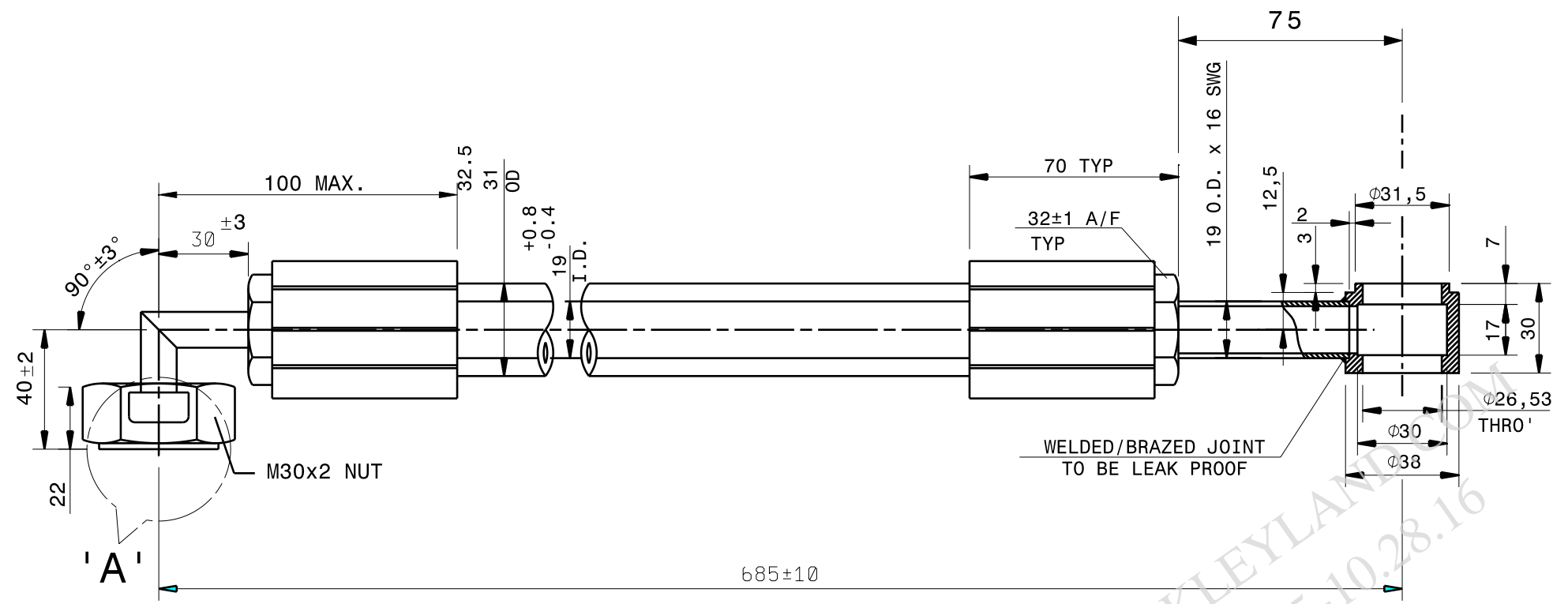




This drawing is strictly private and confidential. It is the exclusive property of ASHOK LEYLAND Ltd., and must not be used, copied or reproduced in part or whole without the company's written permission.

**ASHOK LEYLAND LTD.**  
TECHNICAL CENTRE, VELLIVoyalCHAVADI



**NOTE:-**  
**HOSE:**  
 BLACK OIL RESISTANT SYNTHETIC INNER RUBBER TUBE WITH TWO PLY BRAIDED HIGH TENSILE STEEL WIRE WITH SUITABLE IMPREGNATION WITH OIL, WEATHER AND ABRASION RESISTANT SYNTHETIC RUBBER COVER EQUIVALENT TO SAE 100R2 SAE J517d.  
**END FITTINGS.**  
 STEEL EN1A/220M07 BS-970  
 ZINC PLATED AND YELLOW CHROMATE PASSIVE PLATING THICKNESS - 12 MICRONS.  
 REFER DRG: F96 150 00.  
 WORKING PRESSURE 158 KSC  
 CUT ELBOW-15MM ID MIN. WALL THICKNESS 1.5 MM MIN.

**NOTE:-**  
 - ON BANJO END WASHER SEATING FACE MUST BE FREE FROM WELD SPILLS.

ALTERATIONS	ER-DIN DATE	GRADE	SUFFIX
SURFACE PROTECTION SPEC UPDATED TO LATEST STANDARD -GSK / SD	ER-DIN-0006971		A

AL PLM VAULT  
 REVISION : A.0      DATE : 24/6/2011      STATUS : RELEASE  
 STAGE : III      ER-DIN NO : ER-DIN-0006971      DATE : 24/6/2011  
 ALTERED BY : sivakumarg.alvvc      CHECKED BY : dharmar.alvvc  
 MED APPROVAL : balajikv.alvvc      APPROVED BY : dharmar.alvvc

DIGITALLY SIGNED . PHYSICAL SIGNATURE NOT REQUIRED

DRAWN/ DATE	CHECKED/ DATE	MED APPROVAL /DATE	APPROVED/ DATE	STDS APP/ DATE
AA 12/05/06	SN 15/05/06	KA 15/05/06	SN 15/05/06	

MATERIAL: SEE NOTE  
 HEAT TREATMENT: \_\_\_\_\_  
 REMARKS: STALLION MARK IV

Q - CRITICAL    S - SAFETY    I - IMPORTANT. THIS DRAWING CONTAINS SAFETY CHARACTERISTICS

SL No	PART NO:	DESCRIPTION	SIZE	MATERIAL	QTY
-------	----------	-------------	------	----------	-----

UNLESS OTHERWISE SPECIFIED		APPEARANCE ITEM		ER-DIN	DATE
TOLERANCES	REFER IS:2102 ; MEDIUM FOR MACHINING AND COARSE FOR FABRICATION	<input checked="" type="checkbox"/> YES	<input type="checkbox"/> NO	023240	12/05/06
SURFACE PROTECTION	CLASS D AS PER ALS.268.03 (A)	FINISHED WEIGHT (APPROX):		REF PT NO:	X3982400
METRIC THREADS	METRIC SCREW THREADS SHALL CONFORM TO THE LIMITS AND TOLERANCES SPECIFIED IN THE CURRENT IS:4218 CLASS 6g EXTERNAL OR 5H INTERNAL	SHARP EDGES TO BE REMOVED DIMENSIONS ARE IN MM DO NOT SCALE DRAWING		S/A PT NO:	
		SUPERSEDES:		SPEC NO:	ALSG179
		SCALE	1:2		

DESCRIPTION	HOSE						
PART NO.	F	8	8	2	3	900	A
SHEET NO:	.....1..... OF... 1.....						A3