

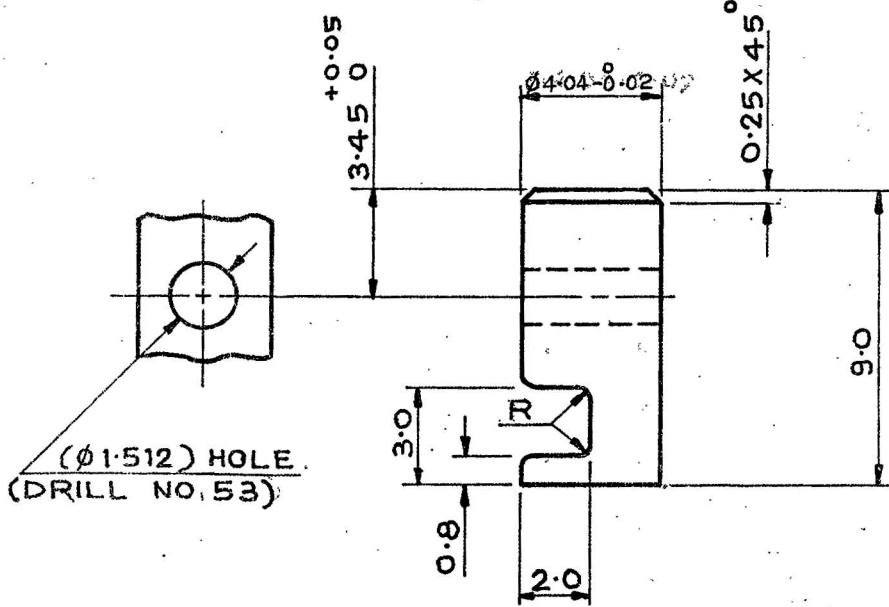
008 X 01

DRG. CONVENTIONS CONFORM TO IS: 696.
DIMNS ARE IN MM.

GEN TOL :- MEDIUM CLASS TO IS: 2102

PART No.

D.C.I. 33461-A



R. NO	DATE	AUTHORITY	BRIEF RECORD	ZONE	AHSP	D.O.	SIGN
	1.11.95	DC.36025-A	MATERIAL UPDATED.				
	27.6.87	DCI.34168-A	DS CAT NO ADDED.				
	20.7.83	D.C.I. 33461-A	DRG. SEALED PROJ.				
1	26-3-83		TRACED WITHOUT CHANGE				

DRG. SEALED :- 20.7.83 (PROY) APPROVED *[Signature]* FOR C.I. (A)

DRN CHD *[Signature]* TRD S.S.N/COMP *[Signature]* ASSY. DRG. 1QX 80 A

CD *[Signature]* PASSED SCALE: 5:1 DESIGN AUTHORITY

EST WEIGHT ARDE PUNE-21

APPROVED. *[Signature]* GAUGE SCHD DATE 4-3-83.

MATL :- STAINLESS STEEL TO BS:1970, PI-1991 ~~410-S-21/420-S-25/~~ 416-S-21. 21/420-S-25/

PROTECTIVE FINISH :- DESIGNERS REF

SAFETY LUG

DESIGNERS REF

DET. 16 ARDE 1967

PART NO. 1QX 800

D.S. CAT NO.

1390-000560

AHSP C I (A) KIRKEE