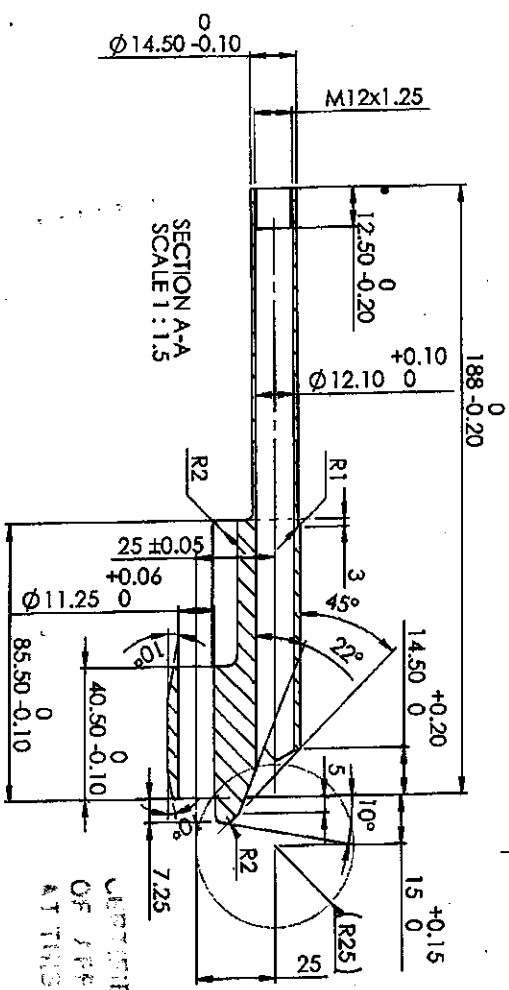
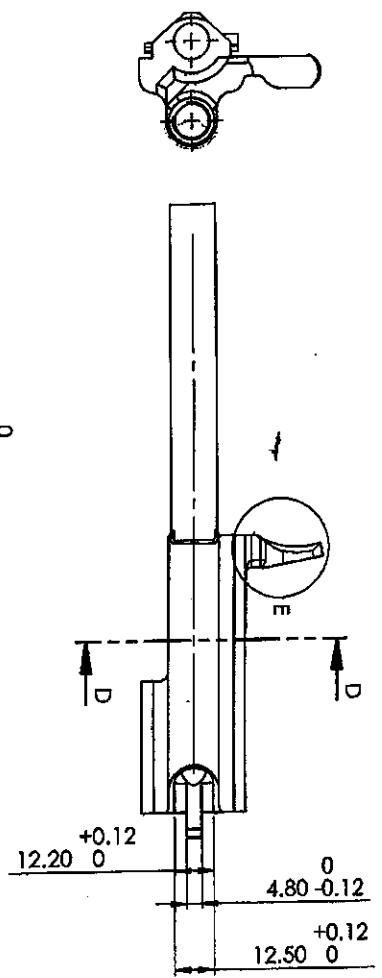


UN CONTROLLED COPY

Pilot Sample to be get approved before bulk production



SECTION A-A
SCALE 1:1.5



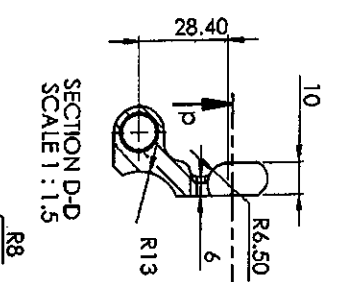
SECTION D-D
SCALE 1:1.5

CERTIFIED CORRECT COPY
OF APPROVED DRAWINGS
AT THIS DATE 16.11.17

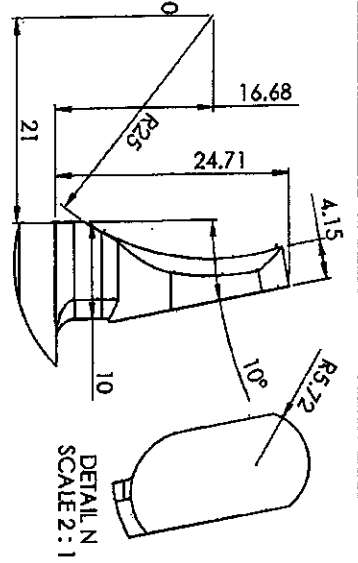
Design & Drawing Office
Ordnance Factory,
Tiruchirappalli-620016

Material : Steel BS-970 Pt.1 1983 Gr.070 M55 (or) En-9
Steel BS:970 Pt.1 1983 Gr.080 M40 (or) En-8
Hardness: 300-350 HV

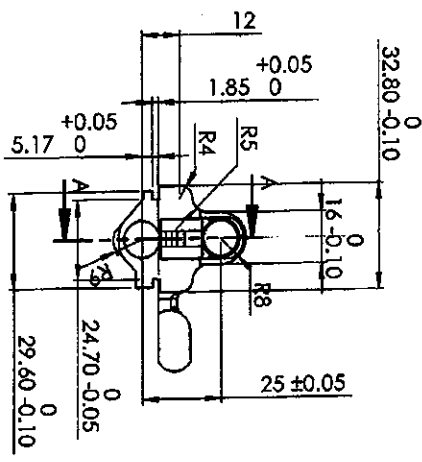
PROVISIONAL



SECTION P-P
SCALE 1:1.5



DETAIL N
SCALE 2:1



DETAIL E
SCALE 2:1

SIGNATURE & DATE		SCALE 1:1	
TRACED		STORE DRG. NO.	
DRAWN		OPERATION NO.	
CHECKED		SHEETS: 1	
QIC/D&DO		SHEET No.: 1	
OFFICER/PRODN			
DN/OFFICER/D&DO			
APPROVED ON: 15/03/2017			
SUB: Bolt Carrier Blank S3			
FOR: K-2001 Bolt Carrier			
OF: TRICHY ASSAULT RIFLE			
DES. REF. NO. K-2001			
DRG. No.: TEND 2383*			
ORDNANCE FACTORY TIRUCHIRAPPALLI-16.			

AMENDMENTS & DATE



ORDNANCE FACTORY
TIRUCHIRAPPALLI-16.