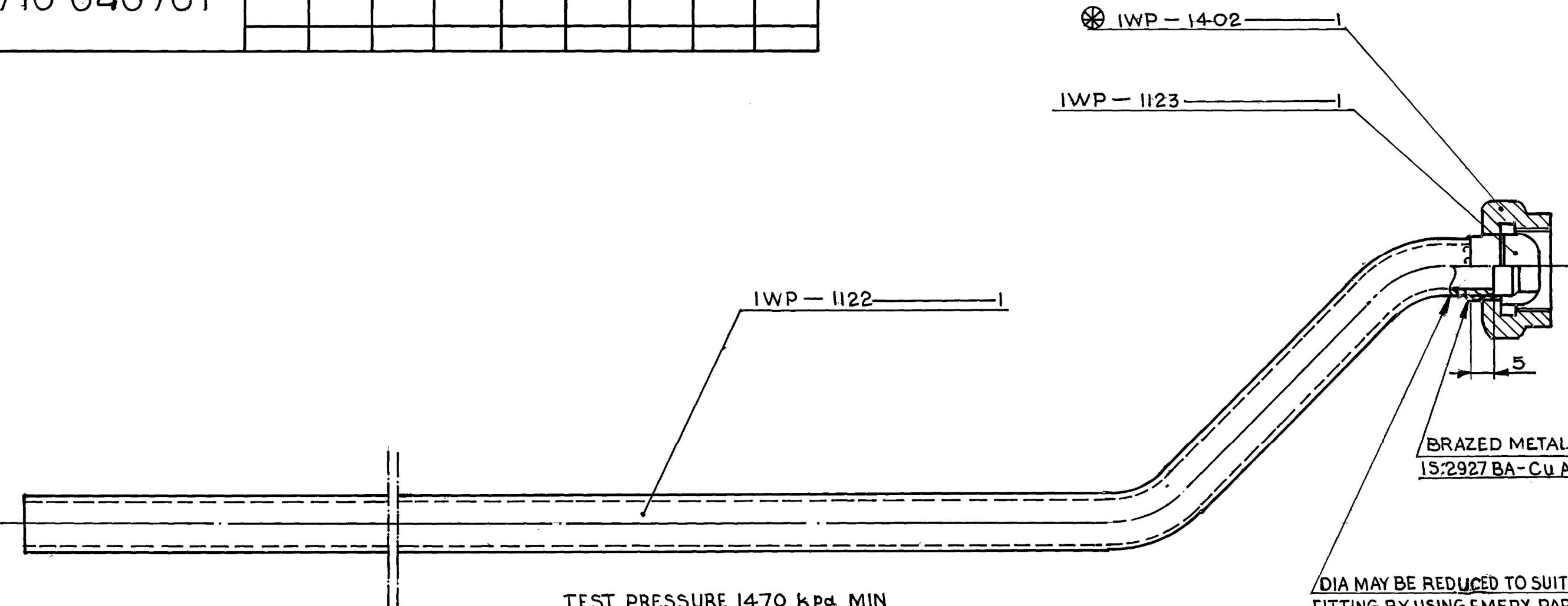


DS CAT No

4710-040701

FOR EXPLANATION OF DIMENSIONING, ETC; SEE ARDE NOTE SHT No.1
DIMNS ARE IN mm. UNLESS OTHERWISE STATED.



TEST PRESSURE 1470 kpa MIN

BRAZED METAL SPEC.
15:2927 BA-Cu Ag 16.

DIA MAY BE REDUCED TO SUIT THE
FITTING BY USING EMERY PAPER

⊗ MARKED THUS TO BE
BRAZED IN POSITION

19-8-16	19522-W	F/7-8	DS CAT No. & NOMEN AMENDED		13/5	DRAWN:-	CHD:-	ASSY DRG:-1015-000272 1015-000265
3-12-97			RETRACED WITHOUT CHANGE		14/12/97	TRACED:-Rk Thakur	CHD:- G.P. Shukla	DATE:- 12-1-72
			PREV DC Nos. 15961-W & 16095-W/DT 23-12-83.			Daddikerf	AHSP	SCALE:- 1:1
DATE	AUTHORITY	ZONE	NATURE	SIG ANSR	SIG DO	CHIEF D'MAN	DO FOR CQA(W)	ESTD Mass:-
AMENDMENTS						MATERIAL:-		
DRG SEALED:- DC No. 16095-W. DATED: 23-12-83.						PROTECTIVE FINISH:-		
						DO CQA(W)		

CQA(W) JABALPUR



DESIGN No.
D6P-020407

PART No.
IFL-7238

DS CAT No.
4710-040701

TUBE ASSY METAL

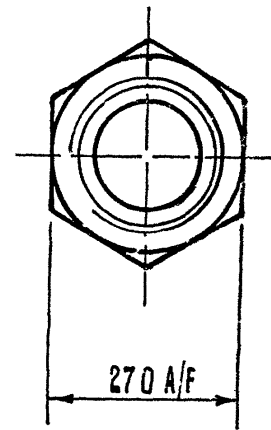
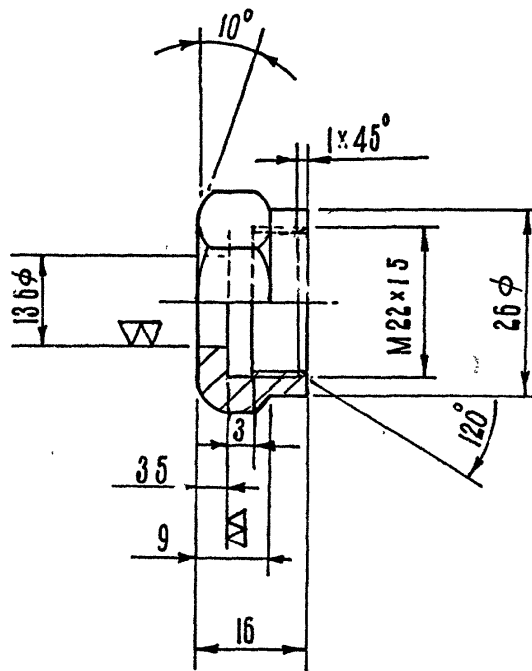
PART No.

IWP 1402

FOR EXPLANATION OF DIMENSIONING ETC, SEE ARDE NOTE SHT No. 1

DIMENSIONS ARE IN mm UNLESS OTHERWISE STATED

THREADS CONFORM TO IS: 4218



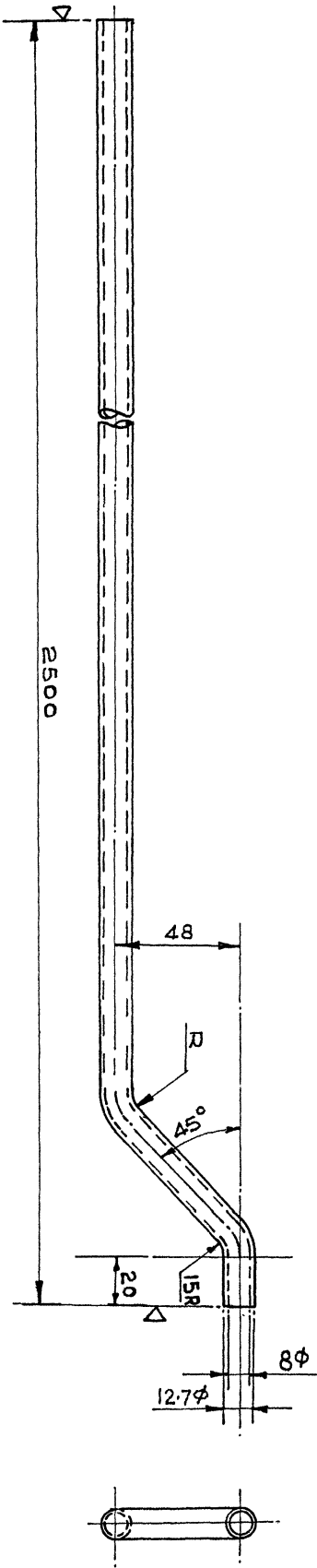
- * 4710-040701
- 4730-006971
- 4710-041006
- 4710-040702
- 1015-000277
- 1015-002001

					CQA(W), JABALPUR		
19.8.16	19522-W	UNDER COLUMN ASSY DRG DS CAT Nos AMENDED				DRN	CHD
28.9.07		SCANNED & PRINTED WITHOUT CHANGE				SCANNED :- MK	CHD :-
DATE	AUTH	ZONE	AMENDMENTS	SIG AHSP	SIG DO	APPROVED	AHSP
PREV DC Nos - 15961-W & 16095-W DT 23-12-83					DO FOR CQAW		
DRG SEALED :- 16095-W DT 23-12-83					ASSY DRG. * AS ABOVE		
SCALE :- 1 : 1		ESTD mass		DATE :-		DESIGN No. D6P-020401-01	
MATERIAL :- BS: 2874 PB 102 OR BS: 1400 PB 1/ CONTINUOUS CAST					PART No. IWP 1402		
PROT FINISH :-					DS CAT No.		
<u>COUPLING NUT</u>							

4	3	2	1
PART No. IWP-1123		FOR EXPLANATION OF DIMENSIONING ETC, SEE ARDE NOTE SHT No. 1 DIMENSIONS ARE IN mm UNLESS OTHERWISE STATED	
D	▽ (▽▽▽)		
C			
B			
A	* 1015-000277, 4710-040701, 4710-041006, 4710-040702, 1015-002001.		

						CQA(W), JABALPUR	
19.8.16	19522-W	UNDER COLUMN ASSY DRG. DS CAT NOS AMENDED.			7/5	DRN	CHD <i>CHD</i>
19.10.07		SCANNED & PRINTED WITHOUT CHANGE			<i>CHD</i>	SCANNED :- MK APPROVED	CHD SR SINGH AHSP
DATE	AUTH	ZONE	AMENDMENTS	SIG AHSP	SIG DO.	DO FOR CQAW	
PREV DC Nos:- 15961-W & 16095-W DT 23-12-83						ASSY DRG.	
DRG SEALED :- 16095-W DT 23-12-83						* AS ABOVE	
SCALE :- 1:1		ESTD mass		DATE :-		DESIGN No.	
MATERIAL: BS: 2874 PB-102 OR CZ-115 CLOD WORKED STRESS RELIEVED						D6P-020408-02	
PROT FINISH :-						PART No	
CONE						IWP-1123	
						DS CAT No.	

PART No 8
IWP 1122
 FOR EXPLANATION OF DIMENSIONING ETC, SEE ARDE NOTE SHT No 1
 DIMENSIONS ARE IN mm UNLESS OTHERWISE STATED



**TEST PRESSURE - 1470 KPA MIN.
 DEVELOPED LENGTH 2530 mm. APPROX**

19 B/16 19522-W		UNDER COLUMN ASSY DRG AMENDED		DRAWN:-		CHD:-		ASSY DRG:- 4710- 040701		DESIGN No.	
19 10 07		SCANNED & PRINTED WITHOUT CHANGE		SCANNED:- MK		CHD- SR SINGH		DATE:-		DGP - 020407 - 01	
DATE		AUTHORITY		SIG		AHSP		SCALE:- 1:2		PART No.	
19 10 07				AHSP		DO		ESTD mass:-		IWP 1122	
PREV DC Nos:- 15961-W & 16095-W DATED 23-12-83		AMENDMENTS		SIG		DO		MATERIAL:- BS 2871, P111 C/10710 OR C/1061/M		DS CAT No.	
DRG SEALED:- 16095-W DATED 23-12-83				DO		DO		PROTECTIVE FINISH:-		TUBE	
DO CQA(W)											

