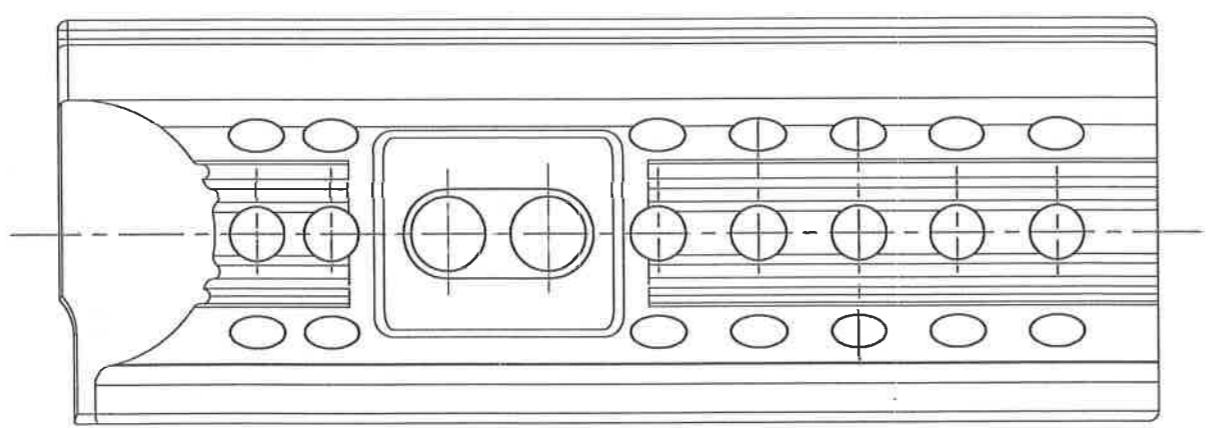
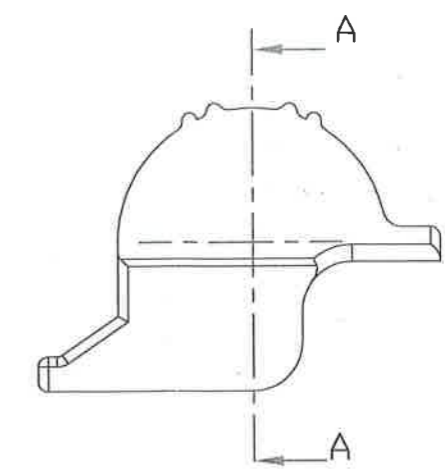
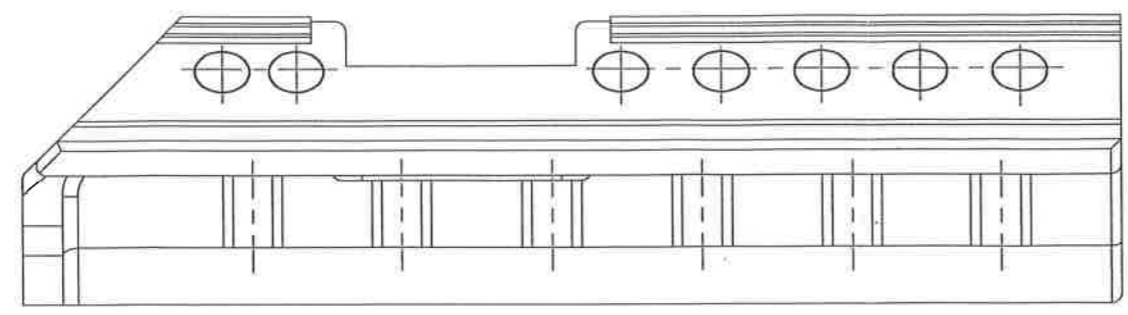
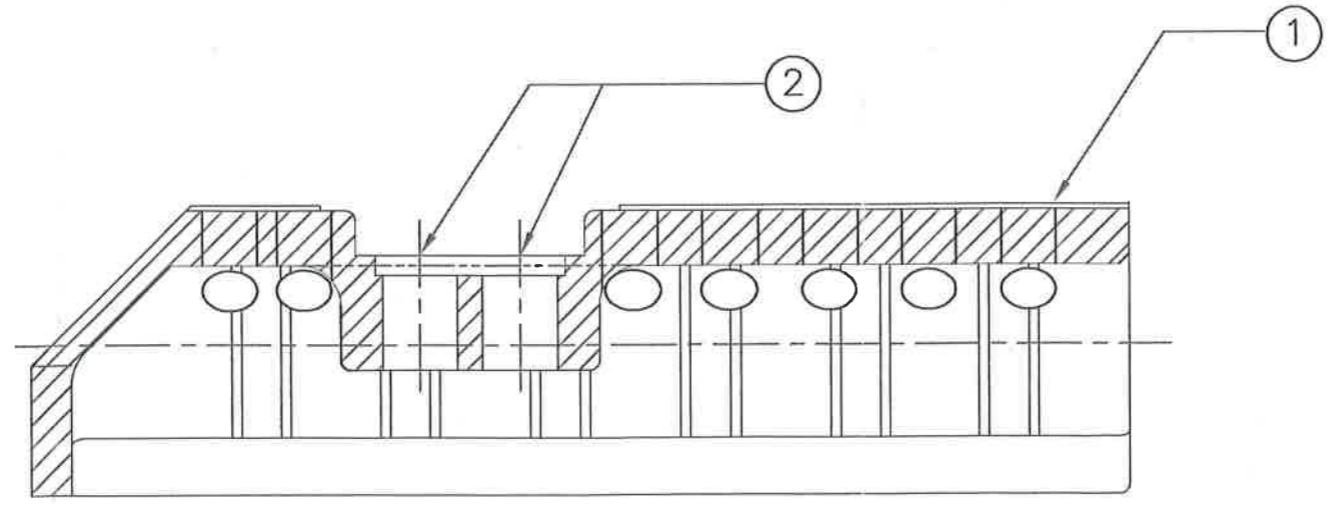


1 2 3 4 5 6 7 8 9 10 11 12

DRG. No. 0204 03 02 00 03 001 00XA
 GEN. TOL. FINE/MEDIUM/COARSE CLASS TO IS:2102
 DRG. CONVENTIONS CONFIRM TO INDIAN STD. DIMN. IN mm UNLESS OTHERWISE STATED



Sr. No.	NOMENCLATURE	DRAWING No.	QTY
1	BARREL COVER MOULDING	0204 03 02 00 03 001 00XA	1
2	BUSH, BARREL COVER	0204 03 02 00 03 002 00XA	2



SECTION A-A

Sr. No.	DATE	AUTHORITY	BRIEF RECORD	ZONE	CD	GO
DRN.	RGN	CHD.	MATERIAL		SIGN	
APPD.	DATE: 02/09/2011	For Director	PROTECTIVE FINISH			
SEALED DATE			PHOSPHATED TO SPECN. IS:3618-1966, CLASS 'B'			
SCALE 1:1	EST. MASS	TITLE	BARREL COVER ASSEMBLY			
DESIGN AUTHORITY ARDE PUNE 411021						
DRG. No. 0204 03 03 01 12 000 00DA						
PART No.	DS CAT. No.	AHSP				

1 2 3 4 5 6 7 8 9 10 11 12

05.01.16

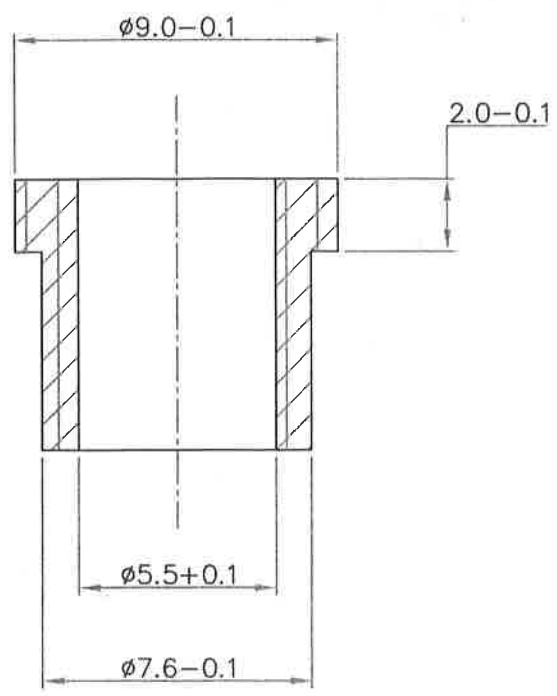
19

1	2	3	4
ISS	C	A	AA
00X00	00200	0300	0000
SS	S	SS	IC
00300	00300	00204	0204

GEN TOL FINE/MEDIUM/COARSE
CLASS TO IS:2102

DRG CONVENTIONS CONFIRM TO INDIAN STD
DIMN IN mm UNLESS OTHERWISE STATED

CONTROL COPY No. 1



NOTE:

- 1) REMOVE ALL SHARP EDGES AND BURRS

Received on 29/11/15

--	--	--	--	--	--	--	--

S No	DATE	AUTHORITY	BRIEF RECORD	ZONE	CD	GO
DRN	KSDRCS	CHD	MATERIAL: PTFE TO SPECN. IS:14635-1999, TYPE-III, CLASS 1		SIGN	
APPD	DATE 15/02/2011 For Director		PROTECTIVE FINISH :			
SEALED	DATE		TITLE :			
SCALE	2:1	EST MASS				

DESIGN AUTHORITY
ARDE
PUNE 411021

BUSH BARREL COVER

DRG.No.	0204	03	02	00	03	002	00XA
	IC	SS	S	AA	A	C	SST
PART No	DS CAT No			AHSP			

1	2	3	4
---	---	---	---