

1 2 3 4

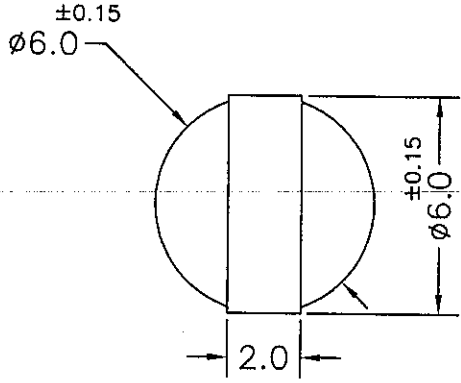
8 6 0 3 0 3 0 2 0 1 0 1 0 0 4 0 2 D B

DRAWING NO.

GEN TOL. MEDIUM CLASS
TO IS:2102

DRAWING CONVENTIONS CONFORM TO INDIAN STD.
DIMN. IN mm UNLESS OTHERWISE STATED.

CONTROL COPY No. 2



COMPOSITION :-
W : 94 TO 96%
Ni : 2.45 TO 4.45%
Fe/Cu : 0.45 TO 2.45%

DENSITY : 18.1±0.1 g/cc
HARDNESS : 300 - 350 VPN
MASS : 2.05±0.1 g

NOTE :-
1. DIMENSIONS ARE FOR REFERENCE ONLY.

1	11.03.11	ARDE, PUNE 21.	CHNGD: TOL ON $\phi 6.0 \pm 0.1$ TO ± 0.15	B2, B3	
R. No.	DATE	AUTHORITY	BRIEF RECORD	ZONE	CD GO
DRN. : SCB, SRB	CHD. : BRR	MATERIAL :			
DATE : 11.03.2011	DATE : 11.03.2011	TUNGSTEN ALLOY			
APPROVED : VK DIXIT	FOR DIRECTOR		PROTECTIVE FINISH :		
DATE : 11.03.2011					
SEALED :					
DATE : / /					
SCALE : NTS	EST. MASS :	TITLE :			
	~2 g	TUNGSTEN ALLOY SPHERE			
DESIGN AUTHORITY :	ARDE Pashan, Pune-21				
DRAWING No. :					
8 6 0 3 0 3 0 2 0 1 0 1 0 0 4 0 2 D B					
PART No. :	DS CAT No. :		AHSP :		

1 2 3 4