

ORDNANCE FACTORY
DEHRADUN

JWM/D.O. *[Signature]*
 W/M/P. *[Signature]*
 APPROVED
 CH- *[Signature]*
 TR-
 DRAWN BY: P.C.SINGH

DRG. NO
COA(II) 789/50

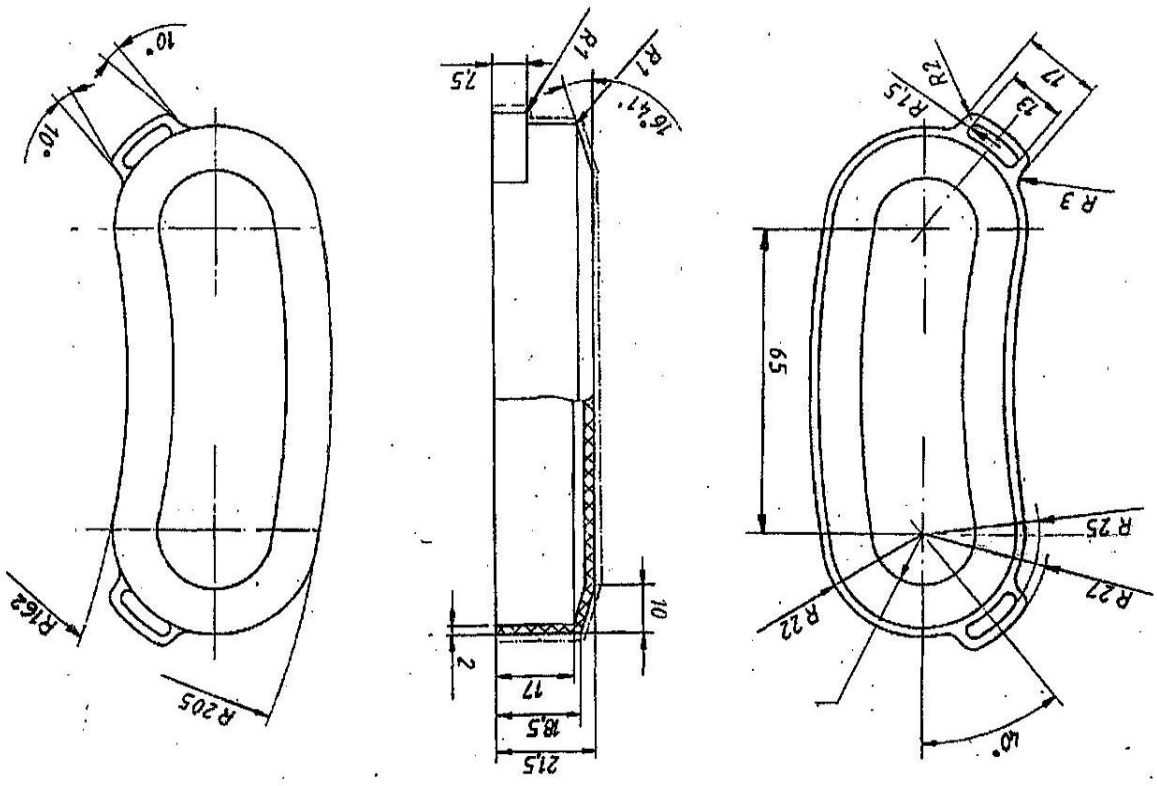
BINOCULAR 8x30 R
EYE GUARD OPTICAL INSTRUMENT

MCT- 29634		OFD/DO/002	
DRAWING NO.		AMENDMENTS	
SHT. NO.1	SHEETS.1	DA. No. 01/2015 dt. 21/06/15	
AS ABOVE	AS ABOVE		
TREAT.	MATL.		
SCALE - NTS	DT-12-06-2010		

MATL. & SPEC. - PE

COLOUR: RAL 6014
 VISUAL SURFACE,
 SURFACE ROUGHNESS ACCORDING TO VDI3400 PART 33.

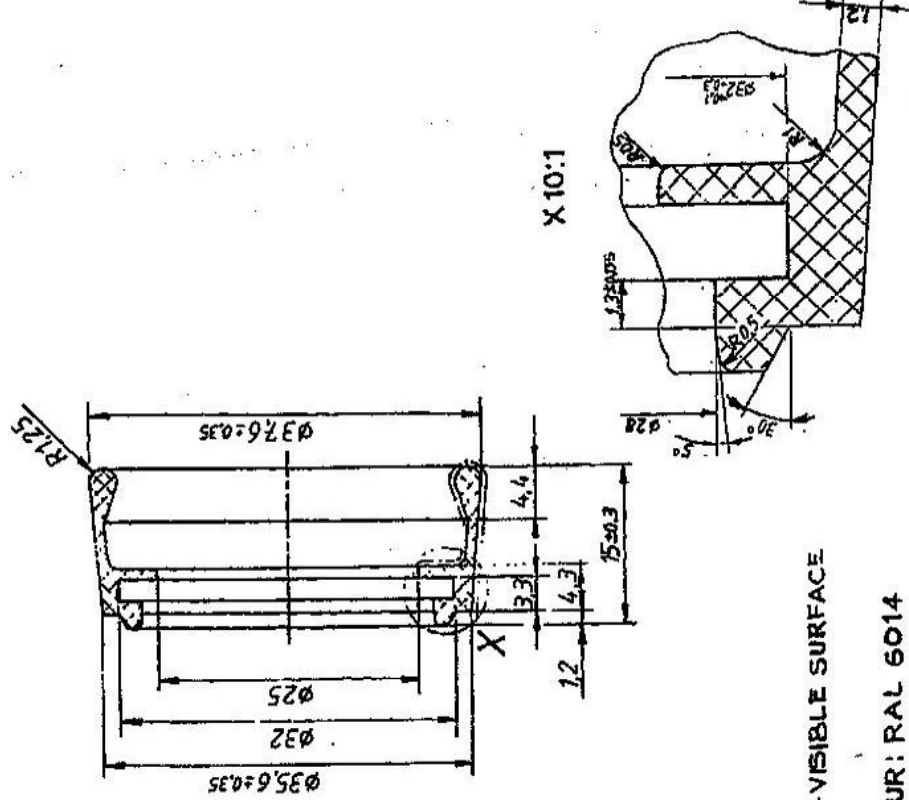
TEMPERATURE COMPATIBILITY OF
 THE COMPONENTS. (+80°F. & 40°F.)



BINOCULAR 8x30 R EYE GUARD OPTICAL INSTRUMENT

DRG. NO
COA(1) 789/1

FIRST ANGLE PROJECTION



--- VISIBLE SURFACE

COLOUR: RAL 6014

MATL:- SILICON SHORE A 6014

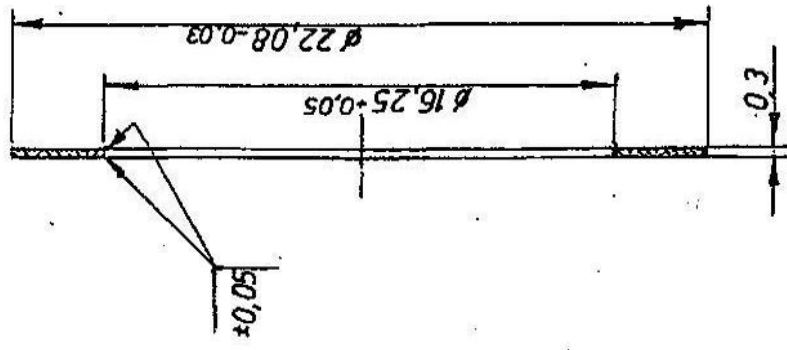
TEMPERATURE COMPATIBILITY OF THE
COMPONENTS. (80 ± 3° & - 40 ± 3°)

	MADE BY: P.C.SINGH	DT. - 12-06-2010	SCALE - NTS
	TR-	MATL. AS ABOVE	TREAT. AS ABOVE
	CH- <i>SN</i>	SHEETS. 1	SHT. NO. 1
APPROVED		DRAWING NO.	
DA- 01/15 dt- 02/01/15	<i>SN</i>	<i>P.C.S</i>	MCT-2920/1
AMENDMENTS	JWM/D.O.	JVM/R.	
OFD/DO/002			

BINOCULAR 8x30 R
RING RETAINING

DRG. NO
COM/II/789/30

FIRST ANGLE PROJECTION



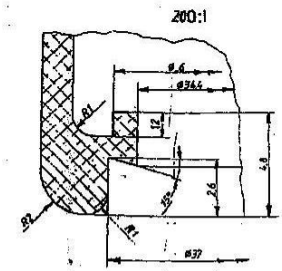
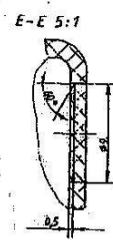
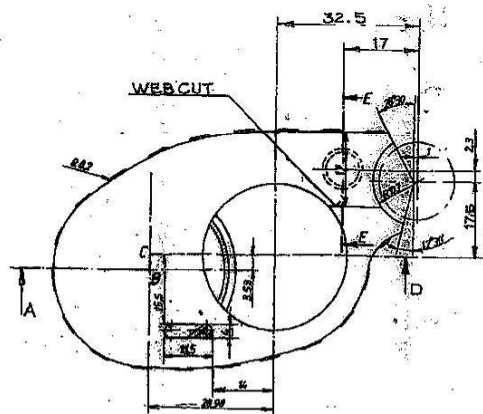
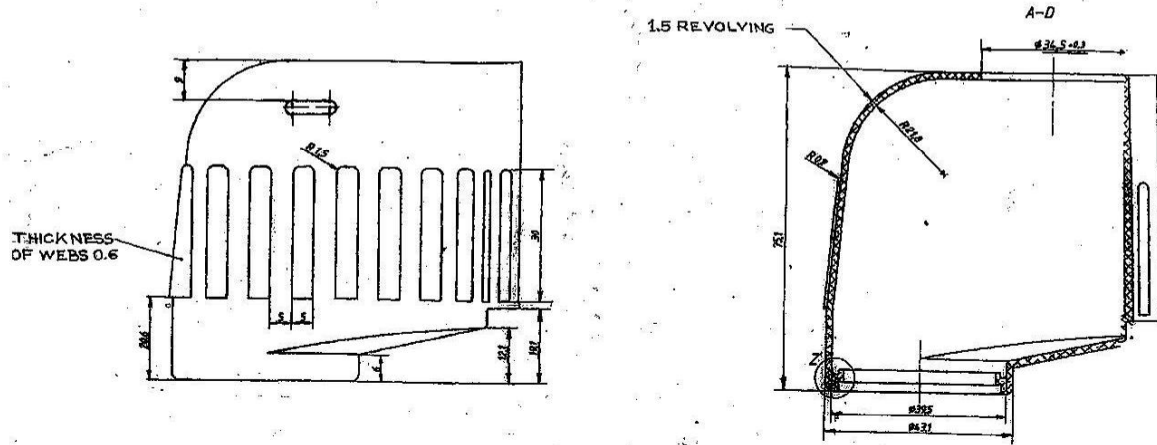
MATL:- RIGID PVC - FOLAN - FOIL
TYPE KS DARK- GREY/BLACK
QUALITY 99200, THICKNESS 0.3 mm.

VIBRAORY FINISHING

TEMPERATURE COMPATIBILITY-
OF THE COMPONENTS. (80 ± 3° & -40 ± 3°)

MADE BY: P.C.SINGH		DT.- 12-06-2010	SCALE - NTS
TR-		MATL.	TREAT.
CH-		AS ABOVE	AS ABOVE
DA-01/15 dt-02/10/15		SHEETS. 1	SHT. NO. 1
AMENDMENTS	APPROVED	DRAWING NO.	
0FD/DO/002	JWM/D.O.	MCI-2944/1	

[Signature]
JWM/P



TEMPERATURE COMPATIBILITY OF THE COMPONENTS: (+80°±3° & 40±3°)

NOT DIMENSIONED RADII 0.7
MISSING DATAS SEE MCT-2923/1
MCT-2958/1 FOR REFERENCE ONLY

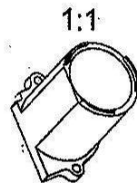
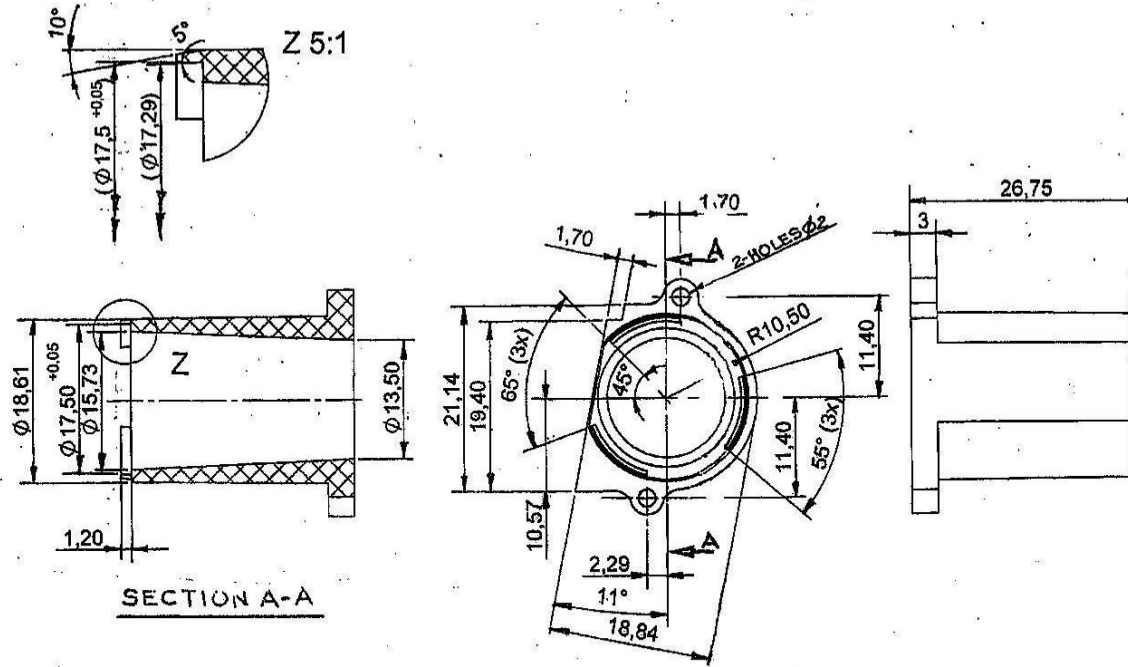
MATL. & SPEC- SEBS 45 +/- 5 SHORE BERGAFEX
COLOUR: RAL 6014

ORDNANCE FACTORY DEHRADUN	DRAWN BY: P.C.SINGH
	TR-
	CH- <i>PC</i>
	APPROVED <i>PC</i>
JWM/D.O.	WM/P

BINOCULAR 8x30 R
COVER PROTECTIVE DUST AND MOISTURE SEAL

DRG. NO
COA(H) 789/38

	DT.-12-06-2010	SCALE - NTS
	MATL.	TREAT.
	AS ABOVE	AS ABOVE
DA-01/15 dt 02/01/15	SHEETS.1	SHT. NO.1
AMENDMENTS	DRAWING NO	
OFD/DO/002	MCT-2952/1	



MAX. ALLOWABLE DRAFT ANGLE 30°
NOT DIMENSIONED RADII R 2

TEMPERATURE COMPATIBILITY OF THE
COMPONENTS. (+80°±3° & -40±3°)

MATL. & SPEC:- PC- GF 20%

ORDNANCE FACTORY
DEHRADUN

DRAWN BY: P.C.SINGH

TR-

CH-

APPROVED

JWM/D.O.

WM/P

DRG. NO
CQA(II) 789/41

BINOCULAR 8x30 R
CELL OPTICAL ELEMENT

DT.-12-06-2010 SCALE - NTS

MATL. TREAT.

AS ABOVE AS ABOVE

D.A. No. 01/2015 Dt. 2/1/2015

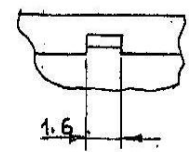
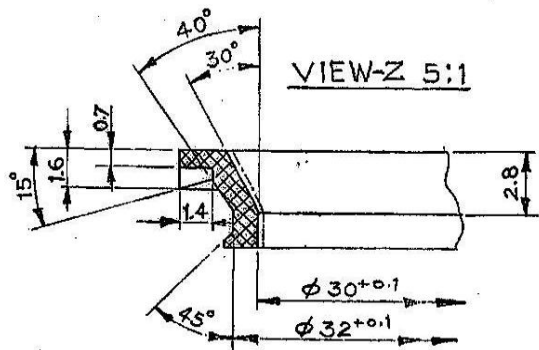
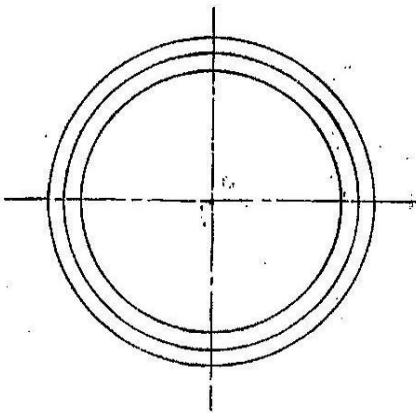
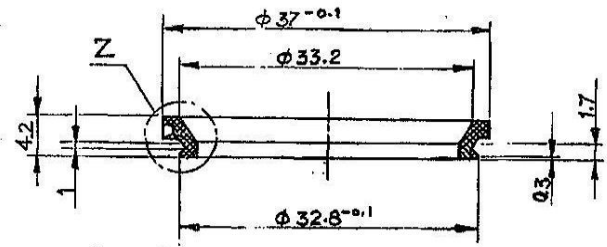
SHEETS.1 SHT. NO.1

AMENDMENTS

DRAWING NO.

OFD/DO/002

MCT-2955/1



TEMPERATURE COMPATIBILITY OF THE COMPONENTS. (+20 \pm 3 $^{\circ}$ & 40 \pm 3 $^{\circ}$)

——— VISIBLE SURFACE MATTFINISHED
COLOUR : RAL 6014

MATL. & SPEC:- PC

ORDNANCE FACTORY DEHRADUN	DRAWN BY: P.C.SINGH
	TR-
	CH- <i>[Signature]</i>
	APPROVED <i>[Signature]</i> JWM/D.O. WM/P

**BINOCULAR 8x30 R
RING RETAINING**

DRG. NO
CGA(II) 789/47

	DT.-12-06-2010	SCALE - NTS
	MATL.	TREAT.
	AS ABOVE	AS ABOVE
DA.NB. 01/2015 Dt. 21/2015	SHEETS.1	SHT. NO.1
AMENDMENTS	DRAWING NO.	
OFD/D0/002	MCT-2960/1	

