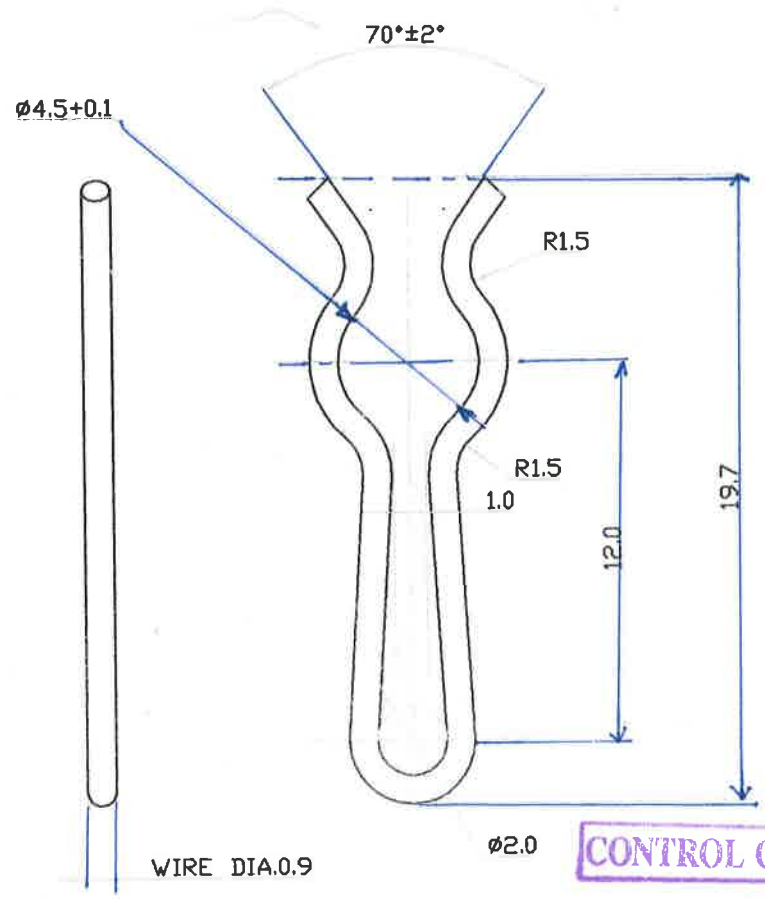


| | | | |
|--------------|----------|---------|----------|
| 1 | 2 | 3 | 4 |
| LSS 0000A | C 021 | A 81 | SS 03 |
| 0000A | 021 | 81 | 03 |

GEN.TOL. MEDIUM/COARSE/FINE CLASS TO IS:2102 DRAWING CONVENTION CONFIRM TO INDIAN STDS DIM IN mm UNLESS OTHERWISE STATED

NOTE:- STRESS TO BE RELIEVED



*Org Verified
14/3/16*

CONTROL COPY No. 1

Received on 29/11/15

| | | | | | | | |
|------------------|-----------|--------------------|--------------------|-------------------------------------------------------------------|------|------|------|
| 1. | R NO | DATE | AUTHORITY | BRIEF RECORD | ZONE | CD | GO |
| DRN | KSD | CHD | <i>[Signature]</i> | MATERIAL :- STEEL TO IS:4454 Pt-1,2001, DH | | SIGN | |
| APPD DATE | 7/03/2014 | <i>[Signature]</i> | FOR DIRECTOR | PROTECTIVE FINISH :- PHOSPHATED TO SPECN. IS:3618-1966, CLASS 'B' | | | |
| SEALED DATE | | | | | | | |
| SCALE | 5:1 | EST MASS | | TITLE | | | |
| DESIGN AUTHORITY | ARDE | | | SPRING LOCKING PIN TRIGGER MECHANISM | | | |
| DRG NO | 0204 | 03 | 02 | 02 | 18 | 021 | 00DA |
| | IC | SS | S | AA | A | C | SST |
| PART NO | | DS CAT NO | | AHSP | | | |

20.4.14