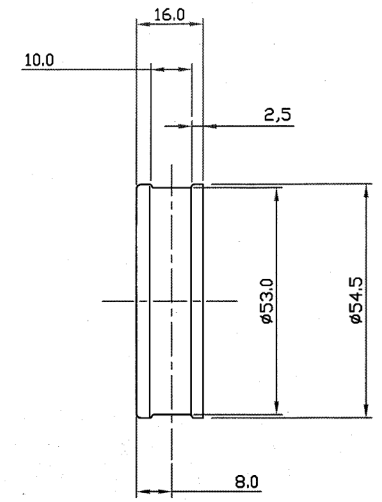
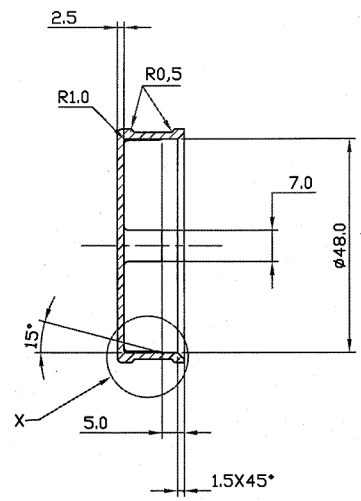
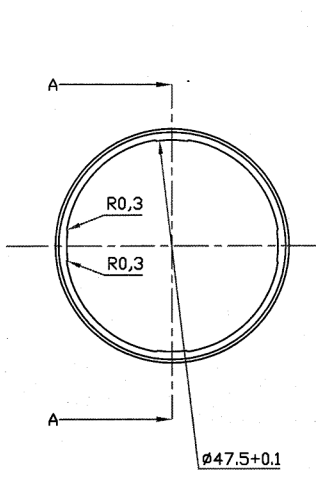


8 7 6 5 4 3 2 1

ISS C A AA S SS CI
 01 X 00 01 00 11 00 00 00 05 00 00 DRG NO

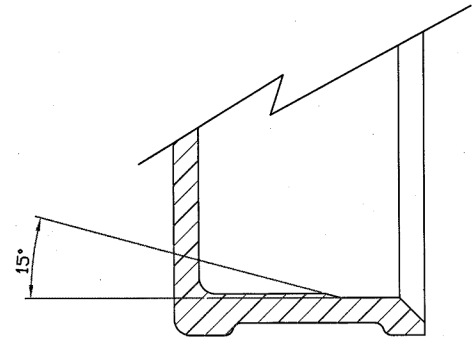
GEN.TOL.MEDIUM/COARSE/FINE CLASS TO IS :2102 DRAWING CONVENTION CONFIRM TO INDIAN STDS. DIMN.IN mm UNLESS OTHERWISE STATED



NOTES:-
 COLOUR-BLACK COLOUR TO IS 5-1994 SC No. 220
 ADDITION OF PIGMENT NOT PERMITTED

SECTION-AA

FOR MATL. PHYSICAL PROPERTIES AND TESTS REFER SPECN. NO. ARDE/SPCN/536 (PROV)



ENLARGED VIEW AT 'X'

S. A. DRG OFFICE
A R D E. PASHAN
PUNE-411021
DATE

1	29-9-2009	S/573	COLOUR-BLACK, TO SPEC. IS:5-1994 No.ISC220, WAS COLOUR LEAF BROWN TO SPEC. IS:5-1978 No.489, OR HRF SHADE CARD No.16		D-5 TO D-8		
R NO	DATE	AUTHORITY	BRIEF RECORD		ZONE	CD	GD
DRN	SSD	CHD	MATERIAL		SIGN		
APPD DATE	03.03.15	FOR DIRECTOR	NYLON-6		PROTECTIVE FINISH		
SEALED DATE			TITLE		MUZZLE CAP		
SCALE	1:1	EST MASS					
DESIGN AUTHORITY	ARDE						
DRG NO	00005	01	01	00	01	001	00XB
	IC	SS	S	AA	A	C	SST
PART NO	DS CAT NO		AHSP				

32P 4003 *2