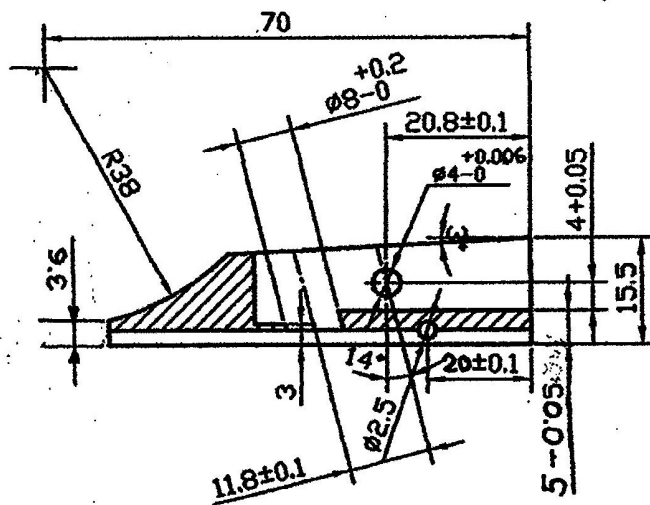
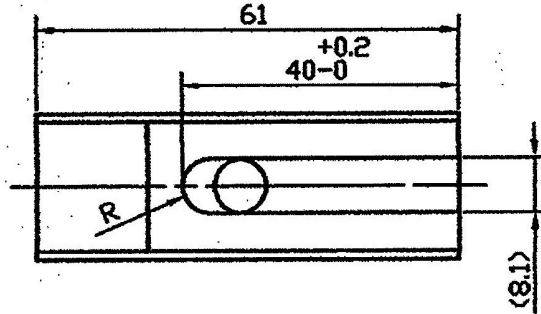
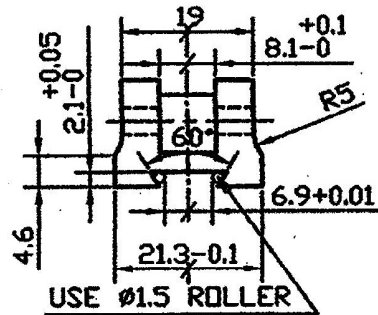


DATE	DC RFI NO	SIGN	CLASS OF DEVIATION	DEVIATION FOR LINEAR DIMENSION (IS: 2102)		
19-11-2013 27-03-2014	09/004/13 09/022/14	<i>[Signature]</i> 21/53		ABOVE	0.5	1.6
			UPTO & INCLUDING	0.6	30	120
			MEDIUM	±0.1	±0.2	±0.3



HOS (MPM)
 प्रमाणित प्रति / CERTIFIED COPY OF
 ड्राइंग / लेआउट / गेज शिड्यूल
 DRG/LAYOUT/GAUGE SCHEDULE
 दिनांक / AT THIS DATE: 03-11-18
 टी डी डी / CDD
 एम्प्लॉयड फॅक्टरी, इशापोर
 AMPL. FACTORY, ISHAPORE



MATERIAL : BS 970 : Part 1 : 1983 070M55 (EN-9)
 ALTERNATE MATL : BS 970 : Part 1 : 1983 708M40 (EN-9)

SEALED
 19/11/2013
 JT.GM/Q

PROTECTIVE FINISH : EXTERNAL SURFACE TO BE CHROME PLATED

- NOTE :- 1. ALL DIMENSIONS ARE IN mm
 2. NO TOOL MARK IS ACCEPTABLE ON EXTERNAL SURFACE.
 3. ALL UNTOLERATED DIMENSIONS ARE TO BE STRICTLY MAINTAINED AS PER IS:2102 MEDIUM CLASS

ASSY. DRAWING NO:- TGG-100	2013	NAME	DATE
INDIAN ORDNANCE FACTORIES RIFLE FACTORY ISHAPORE	DESIGNED	M. HAIT	12-04
	DRAWN		
	CHECKED		16-04
	APPROVED		
TEAR GAS GUN UPPER BLOCK BARREL	SCALE	DRAWING No.	
	1:1	TGG-102	
		SHEET-1 OF-1	