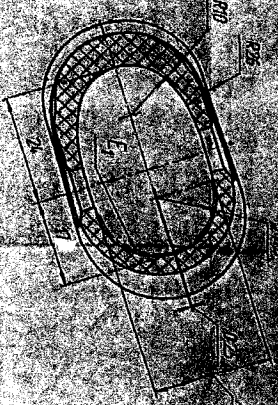
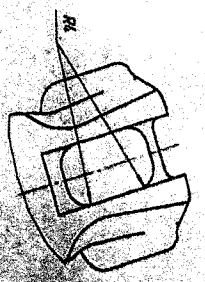
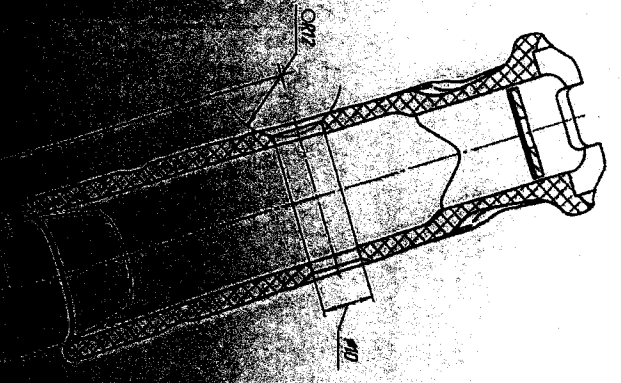
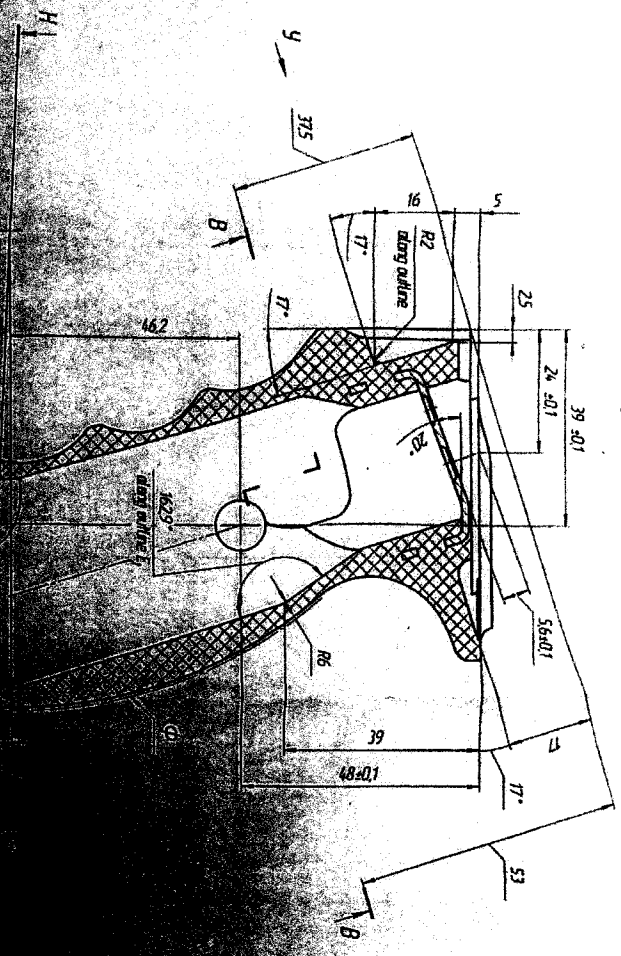


M
5-5111

M-M

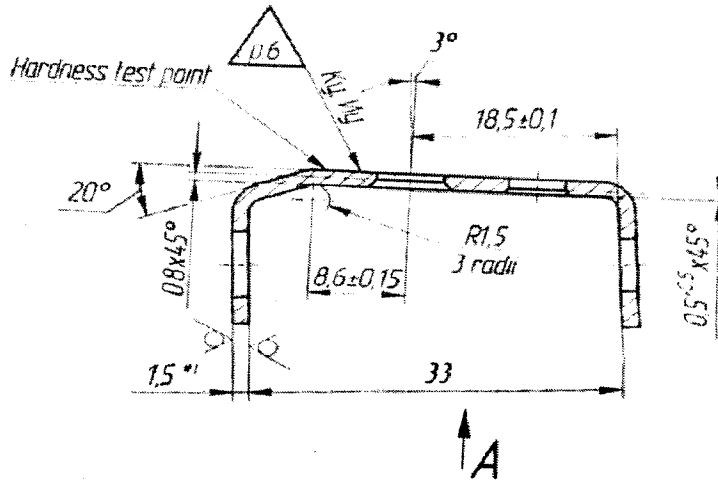


<p>7.62x39 mm AR-SAF Pistol grip assembly Assembly drawing</p>		<p>SCALE 1:1</p>	
<p>SMALL ARMS FACTORY KANPUR</p>		<p>DRAWING NO. SK-6646 TE</p>	
<p>DATE 17/10/23</p>	<p>APPROVED BY</p>	<p>DRAWING NO. SK-6646 TE</p>	<p>SHEET 2 OF 2</p>
<p>DRAWN</p>	<p>TRACED</p>	<p>CHECKED</p>	<p>HOSIDOO</p>

DRG. NO. - SK-6593/TE

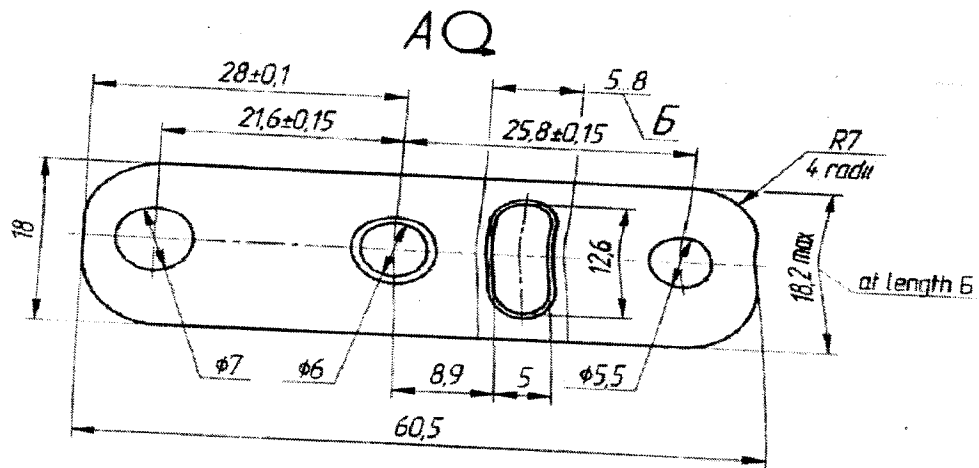
D.A. NO.

$\sqrt{Rz\ 40\ (\checkmark)}$



Handwritten note: Hard/med

Handwritten note: 01/11/23



- 1 *Sheet 6T-611-60-11-0-1.5x1000x2000 GOST 19904-90
30X1CA-3 GOST 11268-76
- 2 69..72 HRA
- 3 * Reference dimension.
- 4 Unspecified tolerances according to 61745-1.0T9/E2
- 5 Coating is Chem. Phos. chr.
- 6 Stamp.

7.62X39mm AR-SAF

GRIP FITTING

DRAWN	TRACED	CHKD.
-------	--------	-------

A.VERMA

DATE 10-10-223

APPROVED

JWM/DDO

SCALE

1:1



SMALL ARMS FACTORY
KANPUR

DRG.NO.

SK-6593/TE

SHEET 1 OF 1