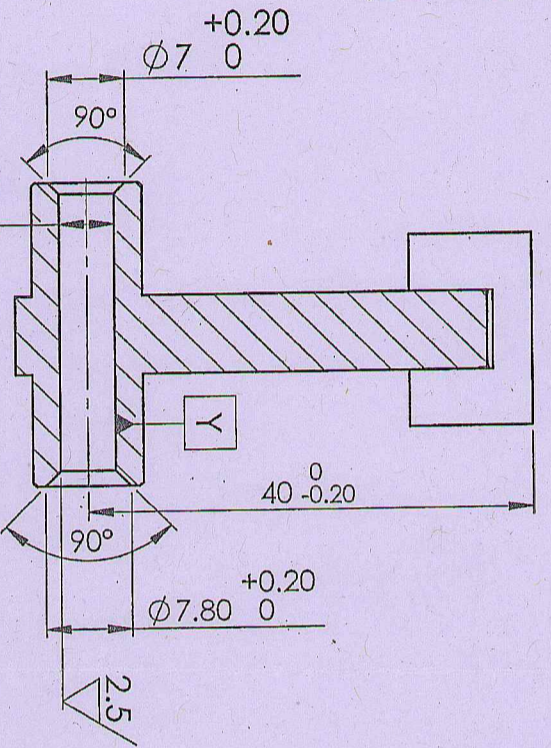
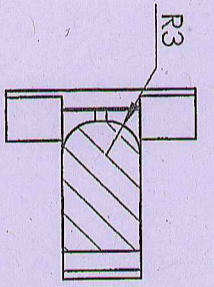


DETAIL B



SECTION A-A



SECTION H-H

MARKING:
 * MANUFACTURER CODE
 † BATCH/YEAR OF MANUFACTURE
 ENGRAVING DEPTH 0.1mm &
 HEIGHT 2.5mm.

Pilot Sample to be get approved before bulk production

UN CONTROLLED COPY
 CERTIFIED CORRECT COPY OF APPROVED
 DRAWINGS AT THIS DATE: 25/03/22
 DESIGN & DRAWING OFFICE,
 ORDNANCE FACTORY, TRUCHIRAPPALLI-620 016.

Finish: Manganese Phosphated

MIM 4605 Composition

| Element | C | Mn | Si | NI | Mo | Cr | S | P |
|---------|-----|-----|-----|-----|-----|-----|------|------|
| Min | 0.3 | - | - | 1.5 | - | - | - | - |
| Max | 0.6 | 0.5 | 0.5 | 2.5 | 0.5 | 0.5 | 0.05 | 0.05 |

MIM S7 Composition

| Element | C | Mn | Si | Cr | NI | MO | S | P |
|---------|------|-----|-----|-----|-----|-----|------|------|
| Min (%) | 0.45 | - | 0.2 | 2.5 | - | 1.0 | - | - |
| Max (%) | 0.7 | 0.5 | 1.0 | 3.5 | 0.3 | 1.8 | 0.05 | 0.05 |

| | | | |
|---|--------------------------|-------------|--------------------------|
| Material: MIM S7 | 3rd Angle | DWG Details | SUB: Hammer |
| Hardness: 415-480 HV | DRAWN | SIGN | FOR: General Assy. |
| Finish: Black Oxide Coating | CHECKED | DATE: | OF: TRICHY ASSAULT RIFLE |
| Un tolerated dimensions IS:2:102 Medium | HOS / D&DO | | DES. REF. NO. K-2061*3 |
| All dimensions are in mm | OFFICER / Prodn | | DWG. No.: MIM-K-2061-01 |
| | OFFICER /QC | | WT. (Appx) gm 42.37 |
| | DW.OFFICER /DDO | | SHEET: 1 OF 1 |
| DA.No.24/22 Dt.:22/03/2022 | Approved on : 25/02/2022 | | |
| Amendments | Sign. & Date | | |

| | | |
|---|--------------------------|-------------|
| DA.No.24/22 Dt.:22/03/2022 | Approved on : 25/02/2022 | |
| Amendments | Sign. & Date | |
| Material: MIM 4605 | 3rd Angle | DWG Details |
| Hardness: 415-480 HV | DRAWN | SIGN |
| Finish: Black Oxide Coating | CHECKED | DATE: |
| Un tolerated dimensions IS:2:102 Medium | HOS / D&DO | |
| All dimensions are in mm | OFFICER / Prodn | |
| | OFFICER /QC | |
| | DW.OFFICER /DDO | |
| DA.No.24/22 Dt.:22/03/2022 | Approved on : 25/02/2022 | |
| Amendments | Sign. & Date | |

ORDNANCE FACTORY
 TRUCHIRAPPALLI-16.