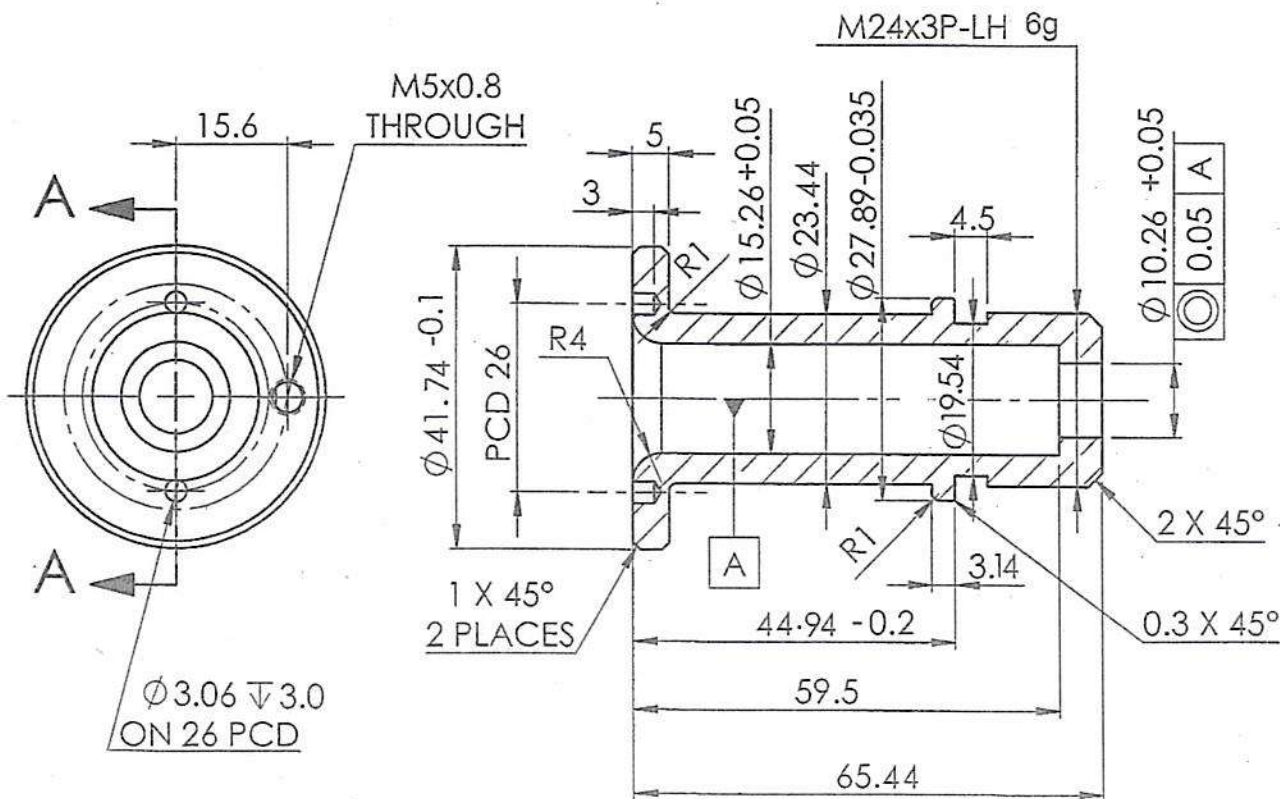
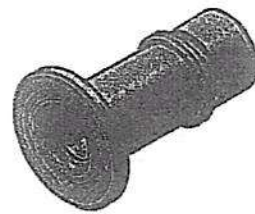


UN CONTROLLED COPY
 CERTIFIED CORRECT COPY OF APPROVED
 DRAWINGS AT THIS DATE 22/9/23
 DESIGN & DRAWING OFFICE,
 ORDNANCE FACTORY, TIRUCHIRAPPALI - 620 016.



SECTION A-A

1	027/2023, 15/6/23	S. Michael 15/6/23
SL.NO.	DA.NO. & DATE	SIGNATURE & DATE

Material: AL 7075 WITH T6 CONDITION	 3rd Angle	DWG Details		SUB: BUSH EXTRACTOR BEFORE HA COATING		
		SIGN	DATE	FOR: BUSH EXTRACTOR S/A	Do not scale Drawing	
Alt. Material:	DRAWN	<i>V. Balan</i>	15/6/23	OF : 40mm MGL		All Dimensions are in mm
Hardness:	CHECKED	<i>S. Michael</i>	15/6/23	Design Ref		
Finish: Hard Anodic Coating, to IS:6057,1988, 0.05-0.08mm	HOS/D&DO	<i>S. Michael</i>		DWG. No.: TEND - 2261 *	A4	QPG - 1
	Div. Officer Predn	Div. Officer QC	Div. Officer DDO			
Un tolerated dimensions IS:2102 Medium	APPROVED ON : 15/06/2023			ORDNANCE FACTORY TIRUCHIRAPPALI - 16.		Wt. (Appx) gm
						SHEET: 1 OF 1