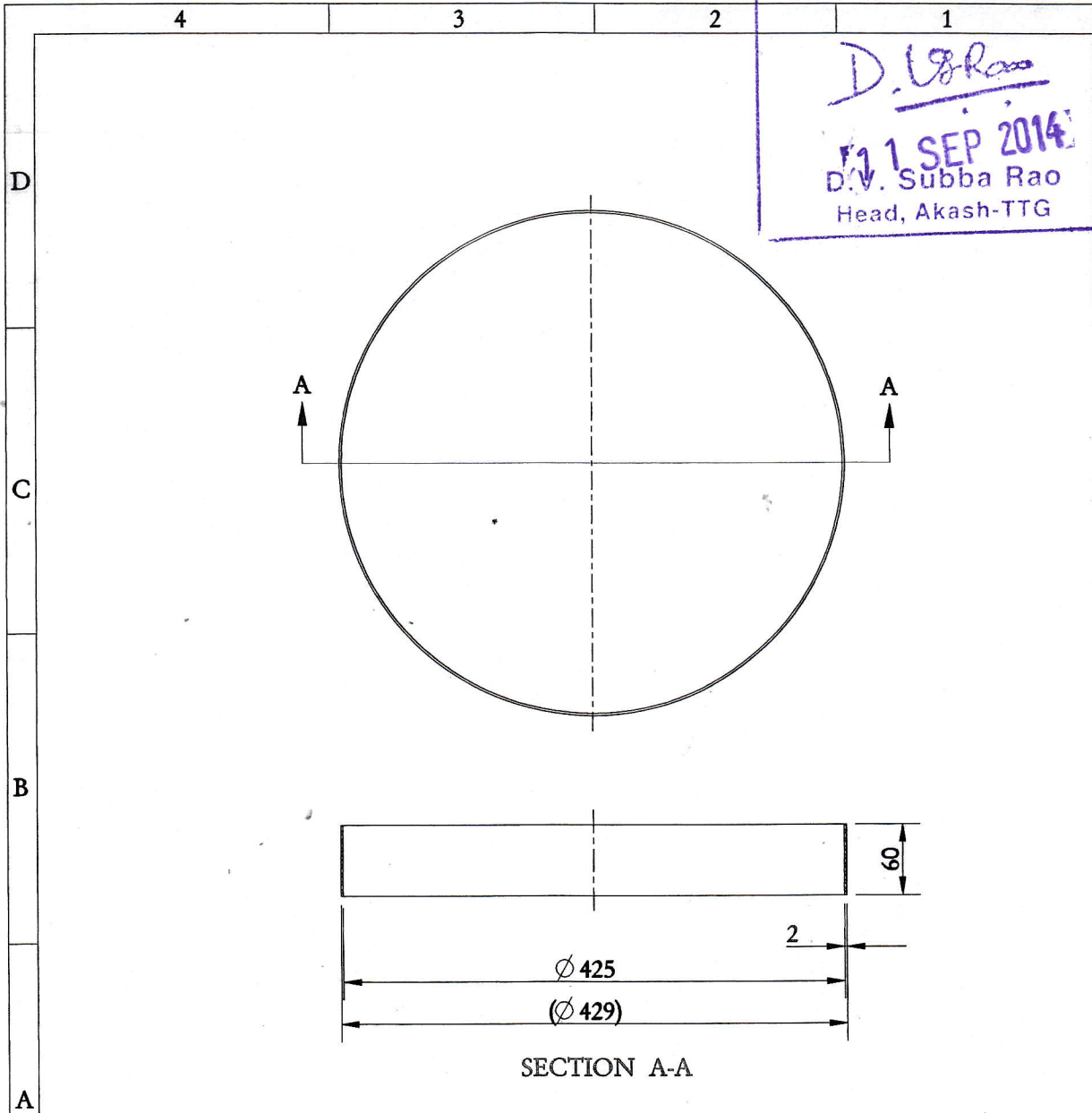


Certified for AKASH Production
and issued to BDL

D. V. Rao
11 SEP 2014
D.V. Subba Rao
Head, Akash-TTG



SECTION A-A

REVISION	R.No.	DATE	AUTHORITY	ZONE	BRIEF RECORD	INITIALS
						<i>Ab</i>

DEVIATION FOR UNTOLERANCED DIMENSIONS TO CONFORM TO SPEC. IS : 2102, MEDIUM (PART 1 & 2) : 1993			DRAWN TO SPEC. IS : 10714-1983(R 1999) IS : 10714 (PART 20) : 2001 & IS : 10714 (PART 21) : 2001 AND DRDL NOTE SHT. 1 & 2			
SCALE: 1:5		MATERIAL: FELT		G. Satyanarayana TECH. OFFICER		
DIMENSIONS ARE IN mm.						
DRN	DATE	NAME	FINISH:		APPD (DGN) R. Satyanarayana ARD (DRG)	
MASS : 0.145 kg						
SIDE PAD TOP			ASSY DRG No. RPD/AK/CA/01 01 00 00			
			DRG. No. RPD/AK/CA/01 01 00 01			
Defence Research & Development Laboratory HYDERABAD						