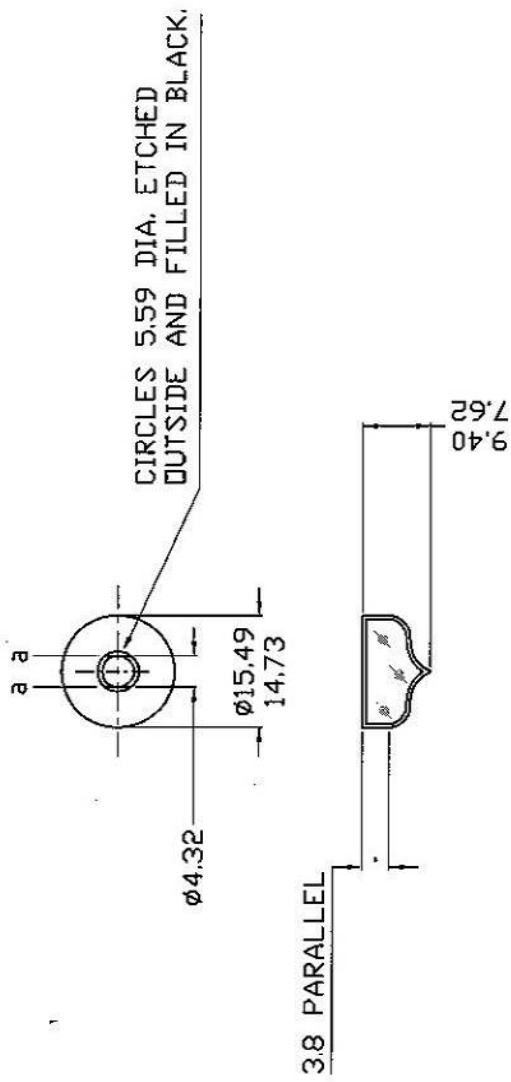


# DIRECTOR FIRE CONTROL NO-7, CASED MK-5 VIAL LEVEL, CIRCULAR

Ref.Drg.No: F.L. 2170  
C.I.A(F.C.) 1326 Dtl. 17A



CIRCLE TO BE ETCHED, CLEARLY DEFINED, AND FILLED IN BLACK  
DIMENSION "ø" "ø" REPRESENTS DIAM. OF AIR BELL AT 15.6 °C,  
WIDTH OF GRADUATIONS TO BE 0.25

NOTE:-  
FOR DETAILS OF BUBBLE SEE SPEC. NO. FC/970 D

NOTE:-  
CUP & PLATE TO JOINED BY FUSION.

MATL:- GLASS, IS: 1632

ALL DIMENSIONS ARE IN MILLIMETERS UNLESS  
OTHERWISE STATED MARKED THUS ♂

DT.20-01-15	SCALE:1:1
DR.- P.C.SINGH	MATL. AS ABOVE
TR.-	TREAT. AS ABOVE
CH.-	SHEETS-1 SHTNO.-1
AMENDMENTS.	DRAWING NO.
DFD/DD/002	MCT-3440
[Signature] [K.Saini] JWM/DD.	[Signature] [T.Khattar] JGM/P