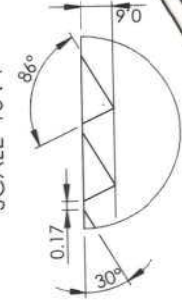
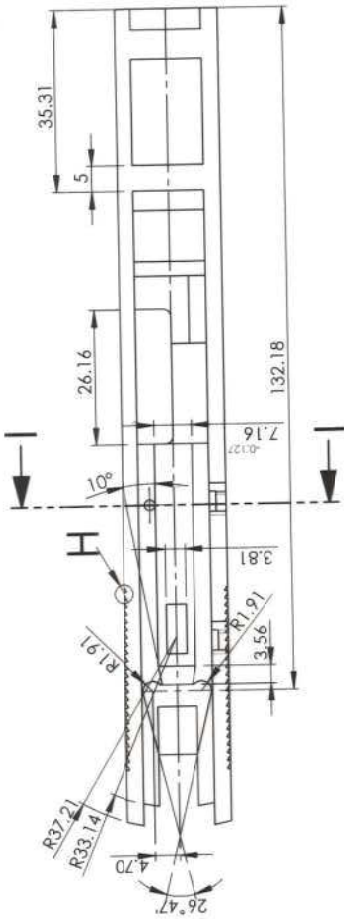
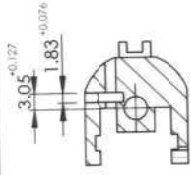


ALL DIMS. ARE IN mm.
UNTOLERATED DIMENSIONS ARE AS PER
IS:2102 MEDIUM CLASS.

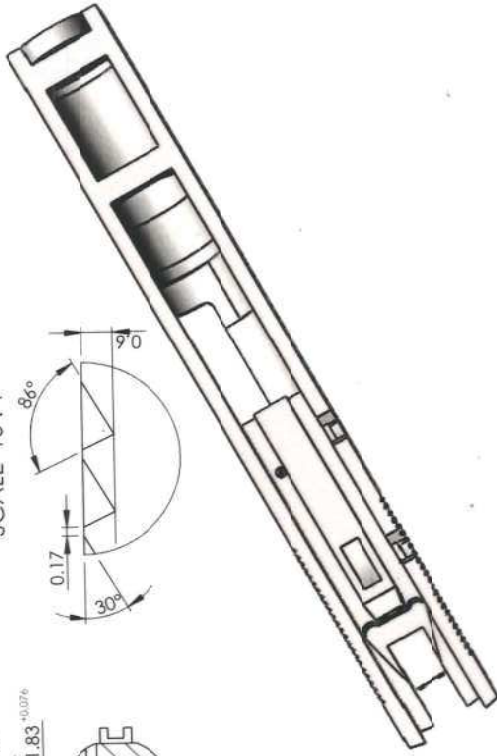
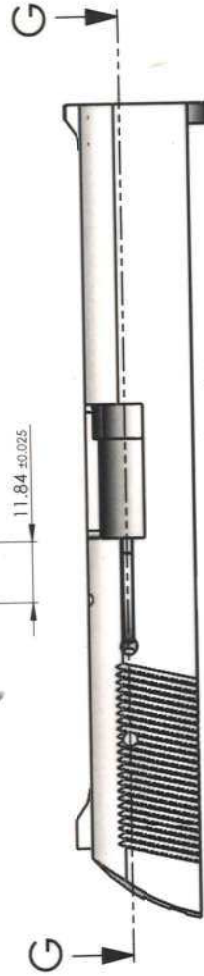
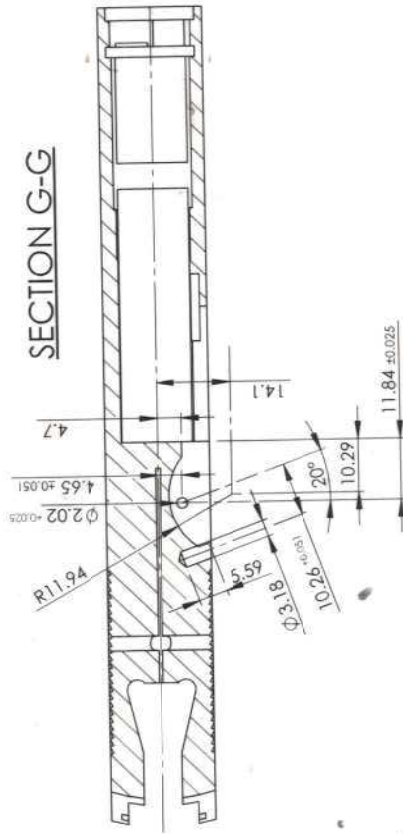
DETAIL H
SCALE 10:1



SECTION I-I



SECTION G-G



COMPONENT:- SLIDE FOR ASHANI MK-III		PROJECTION: THIRD ANGLE	SCALE: NTS	DRAWN BY: <i>A. S. 16/12/22</i>	Refer Sheet NG-1
DRG. NO: CTM-166A		CHECKED BY: <i>M. 29/12</i>	DRAWN BY: <i>A. S. 16/12/22</i>	APPROVED BY: <i>M. 29/12</i>	DT. & SG.
		CONCURRED BY: JWM/PISTOL	DATE: <i>30/12/22</i>	NO. OF SHTS: 2	DESCRIPTION
M/C:-		Gsf COSSIPORE		AMENDMENTS	
SHT. NO: 2					