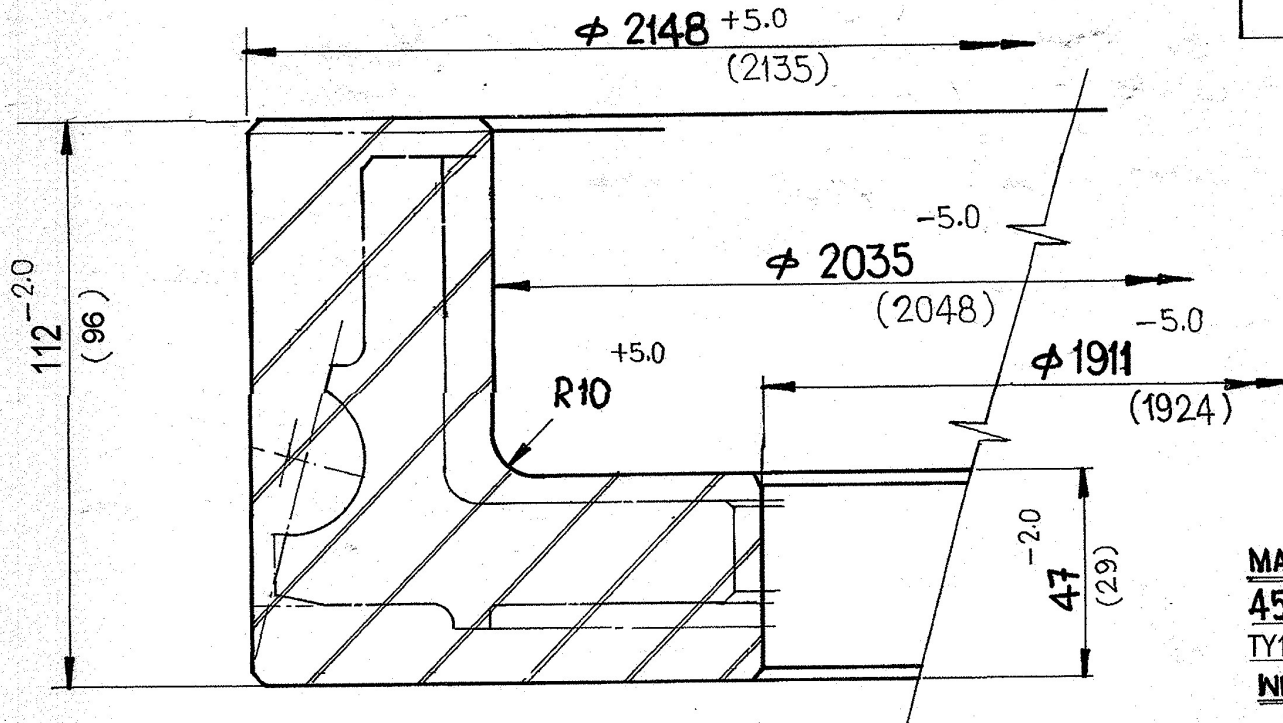


PART NO.
188.12.002/F

ISS	MODIFICATION	DATE



MATERIAL
45XHM
TY14-102-182-98
WEIGHT : 512 KGS APPROX.

T-90'S

NOTE

FORGINGS ARE TO BE SUPPLIED IN ROUGH MACHINED CONDITION.

ALL TECHNICAL REQUIREMENTS SHOULD CONFIRM TO TY14-102-182-98.

MACHINING DIMNS ARE SHOWN IN BRACKETS.

ALL DIMNS ARE IN MM.

SCALE	COMPONENT ~ T-90'S	FG. WT	MATERIAL
NTS	RING RACE UPPER	512 kgs APPROX.	45XHM TY14-102-182-98
THIS DRG IS USED WITH J&T D.O SPECN. IF JT ISS. NIL.			H.V. FACTORY. AVADI
DRN.	CHD.	APPD.	AUTHD.
BLANK SIZE FOR RING RACE UPPER			PART NO.
			188.12.002/F