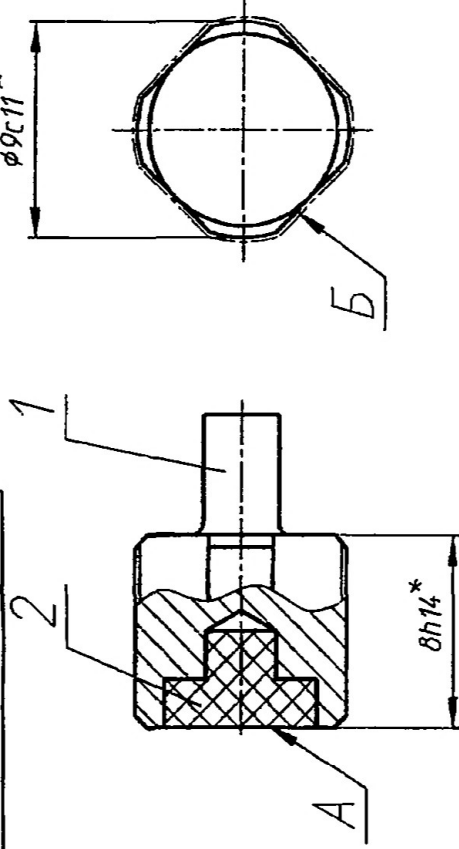


DRG. INDIANISED BASED ON RUSSIAN ORIGINAL ISSUE - NIL

DRAWING NUMBER
188.86.011cbCb

SHEET No. 1 OF 1



1. *Размеры для справок
2. Уплотнение поз.2 вулканизировать с применением клея нейконат ТУ 6-14-95-85.
3. Наличие резины на поверхности б не допускается.
4. Выступание или западание резины за поверхность А 0^{+0.5}mm.
5. Остальные требования по ТУ 005216-99, код 253220.

- 1.*Dimensions for reference
2. Using the glue leuconath of TY 6-14-95-85 vulcanize the package item 2.
3. Presence of rubber on surface b is not allowed.
4. Stepping and shrinking of rubber on surface A 0^{+0.5}mm.
5. Other requirements as per Ty 005216-99 code 253220.

PILOT SAMPLE SHOULD BE APPROVED BY A H S P BEFORE BULK PRODUCTION.

356

SUPPLY CODE
U-01-1-4
D-90220



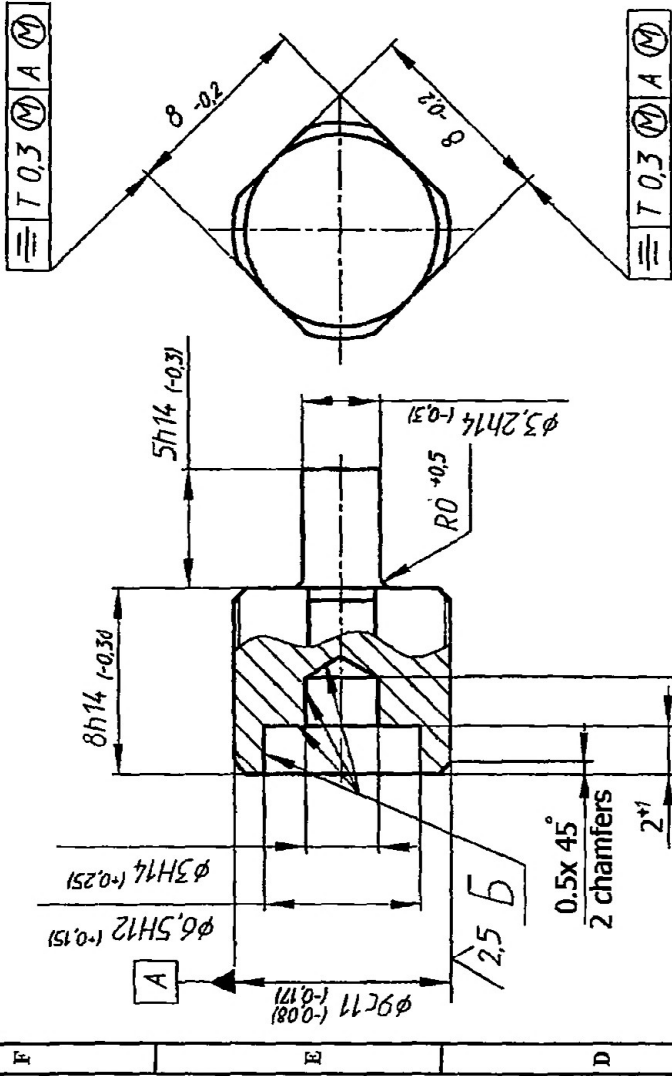
EST. WT. (Kg)	0.005	TO BE STAMPED OR MARKED WHERE INDICATED THUS # (LETTERS)
MATERIAL:-	USED ON:- 188.86.037cbCb 188.86.040cbCb	ALL SHARP EDGES AND CORNERS TO BE REMOVED UNLESS OTHERWISE STATED MACHINED CORNERS TO HAVE R OUT-SIDE R INSIDE EQUIVALENT CHAMFERS ARE PERMISSIBLE.
NATURE OF AMENDMENTS	SCALE:- 4 : 1	CONTROLLERATE OF QUALITY ASSURANCE (HEAVY VEHICLES) AVADI
ISSUE DATE	DRN 14.10.04	TITLE:- VALVE ASSY.
CHD 14.10.04	APPR B. Anand	D S CAT NUMBER 188.86.011cbCb
DATE	14.10.04	DRAWING NUMBER
SIZE A4		

DRG. INDIANISED BASED ON RUSSIAN ORIGINAL ISSUE - NIL

DRAWING NUMBER
188.86.014

SHEET No. 1 OF 1

RZ80 (✓)




356

SUPPLY CODE
U-01-1-4
D-90220

F-114
136

1. Alternate material ,steel 12X18H9T, 12X18H10T GOST 5949-75
2. Requirements for surfaces 5 as per TY 005216-99 (Appendix "A")
3. Other requirements as per 520.TY 1.

PILOT SAMPLE SHOULD BE APPROVED BY A H S P BEFORE BULK PRODUCTION.

EST. WT. (Kg)	C004	TO BE STAMPED OR MARKED WHERE INDICATED THUS # (LETTERS)
MATERIAL:-	STEEL 08X18H10T GOST 5949-75	USED ON:- 188.86.011cbCb
NATURE OF AMENDMENTS	CONTROLLERATE OF QUALITY ASSURANCE (HEAVY VEHICLES) AVADI	
SCALE:-	4 : 1	
DIMENSIONS IN mm		
TOLERANCE ON DIMENSIONS UNLESS OTHERWISE STATED	IS : 2102-69	
ALL THREADS TO CONFORM TO		
ISSUE DATE		
DRN		
CHD		
APP		
DATE	15.10.04	
SIZE A4		
TITLE:-  VALVE		
D S CAT NUMBER	DRAWING NUMBER 188.86.014	

