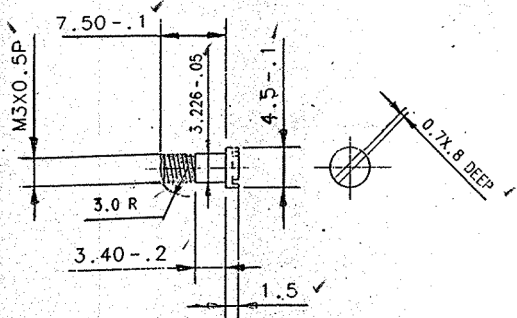


1 2 3 4

DIMENSIONS ARE IN mm.  
 UNTOLERATED DIMNS. AS PER IS : 2102 (MED)  
 MARK DRAWING No.



TREAT:- HARDENED  
 300-400H.V. ✓

FINISH:- J S S.0465-01, 1988, CLASS-1, OIL FINISH.  
~~HEAD TO BE PAINTED TO SPEC. DEF 1407 WITH GLOSSY FINISH~~ ✓

MATL.  
 BS:970 PT. 1, 1983 Gr.070 M55 ✓

		AS ABOVE			
PART NO.	DESCRIPTIONS	NO OFF	MATERIAL	TREATMENT	REMARKS
⊕	SIGNATURE & DATE.	SUB: SCREW EXTRACTOR		SCALE 2:1	
TRACED	<i>[Signature]</i>	FOR: 0.315" SPORTING RIFLE ✓		STORE DRG.NO.	
DRAWN	<i>[Signature]</i>	DES.REF.NO. SP-21		OPERATION NO.	
CHECKED	<i>[Signature]</i>	DRG. No.: 29-P-0021*		SHEETS: 01	
OIC/D&DO	<i>[Signature]</i>	ORDNANCE FACTORY TIRUCHIRAPPALLI-16.		SHEET No.: 01	
OFFICER/PRODN.					
OFFICER/D&DO					
AMENDMENTS	SIG. & DATE	APPROVED ON. 10/2004			

DA No. 8996/14  
 DDO/01  
 29.5.09

