

PART No.
2A42/INA/0547
4 SHTS SHT-1

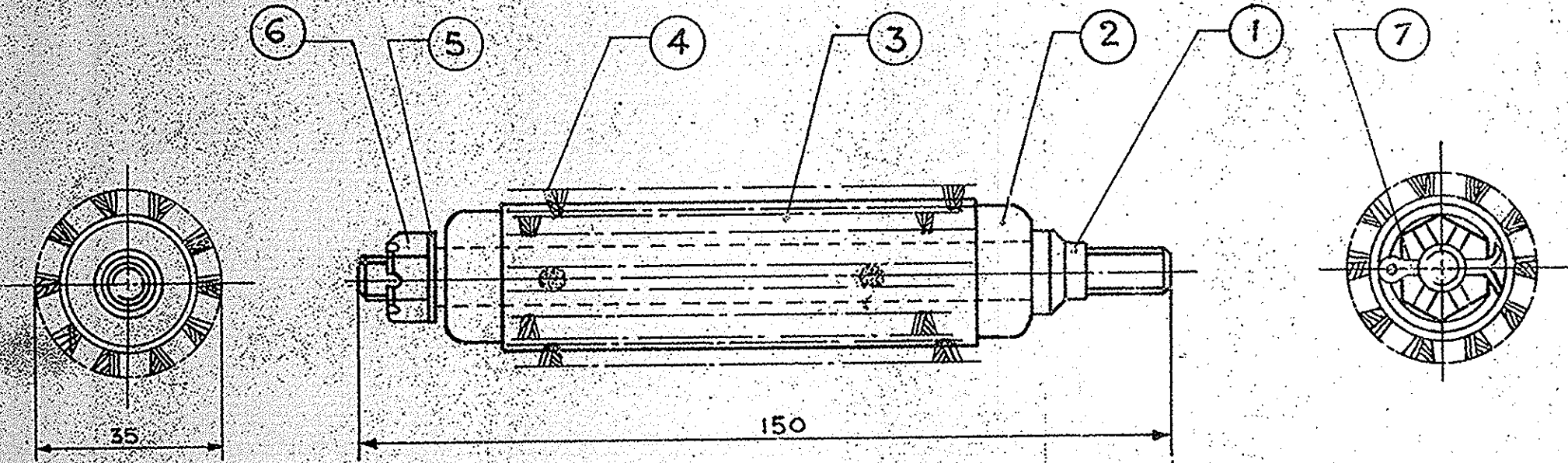
DRG CONVENTIONS CONFORM TO IS: 696-1972.
DIMENSIONS ARE IN MM.

TOLERANCES FOR UNTOLERANCED LINEAR DIMNS

ABOVE UP TO	6	30	120	315	1000	2000	4000
TOLS	±0.1	±0.2	±0.3	±0.5	±0.8	±1.2	±2.0

MATERIAL FOR ITEM No.4

ALT. MATERIAL:-
IS: 1844-75 EXTRA STIFF
(GREY OR BLACK).



NOTES:-

- ITEM No.2,3 & 4 (ASSEMBLED) SHOULD FREELY ROTATE IN ROD (ITEM No.1).
- ITEM No.1,2,5 & 6 TO BE COATED BEFORE ASSEMBLING (REF NOTE 4 FOR COATING).
- ITEM No.3 SHOULD BE PASTED BY SUITABLE ADHESIVE AND MISMATCHING NOT ALLOWED.
- COATING:- PHOSPHATINS AS PER JSS-0465-01-1988 GYII. WITH SUPPLEMENTARY FINISH AS PER JSS-0465-01-1988/IMPREGNATION WITH DUNLOP ADHESIVE 758 OR APC-6 TO JSS 8040-12 & NIGROSINE TO JSS-1036 ONE LAYER.
- THE BRISTLES SHOULD NOT BE PULLED OUT BY HAND.

DRG: CQA(W) LV. No, 181218 - CQA W DT. 16 JUN 2009
AUTHORITY:- DGA-19 No. CQA W/1/02/2009
DT. 07 MAY 2009

C9054

ITEM No.	DESCRIPTION	DRG No.	MATERIAL	No. OFF	REMARKS
7	SPLIT PIN 2X18 IS: 549-1974			1	
6	SLOTTED NUT M-8 IS: 2222-P6			1	
5	PUNCHED WASHER Ø9 IS: 2316-STEEL			1	
4	BRISTLES		AS STATED ON DRG	90	
3	BRUSH BODY	REF SHT 4		2	
2	CUP	REF SHT 3		2	
1	ROD	REF SHT 2	AS STATED ON DRG	1	

C 9054 (V4)

07.05.09	19157-W	NOMEN AMENDED & DS. CAT. No. Added	DRAWN:- JLC	CHD:- PNR	ASSY DRG:-	CQA(W) JABALPUR	
22-9-95	18174-W	PROV SEALING CANCELLED & DRG SEALED.	TRACED:- SRSINGH	CHD:- G.P. Shukla	DATE:-		
26-2-92	17234-W	DRG SEALED PROV.		AHSP	SCALE:- N.T.S		
15-2-92		NEW POLY NEG PREPARED			ESTD MASS:-		
DATE	AUTHORITY	ZONE	NATURE	SIG AHSP	SIG DO	CHIEF D'MAN	DO FOR CQA(W)
AMENDMENTS				MATERIAL:- AS SHOWN ABOVE		DESIGN No.	
DRG SEALED:- 18174-W 22-9-95				PROTECTIVE FINISH:-		PART No. 2A42/INA/0547 4 SHTS SHT-1	
				BRUSH BORE BRUSH (ASSEMBLY DRG)		D.S. CAT No. 7920-001892	

C9054

D/A