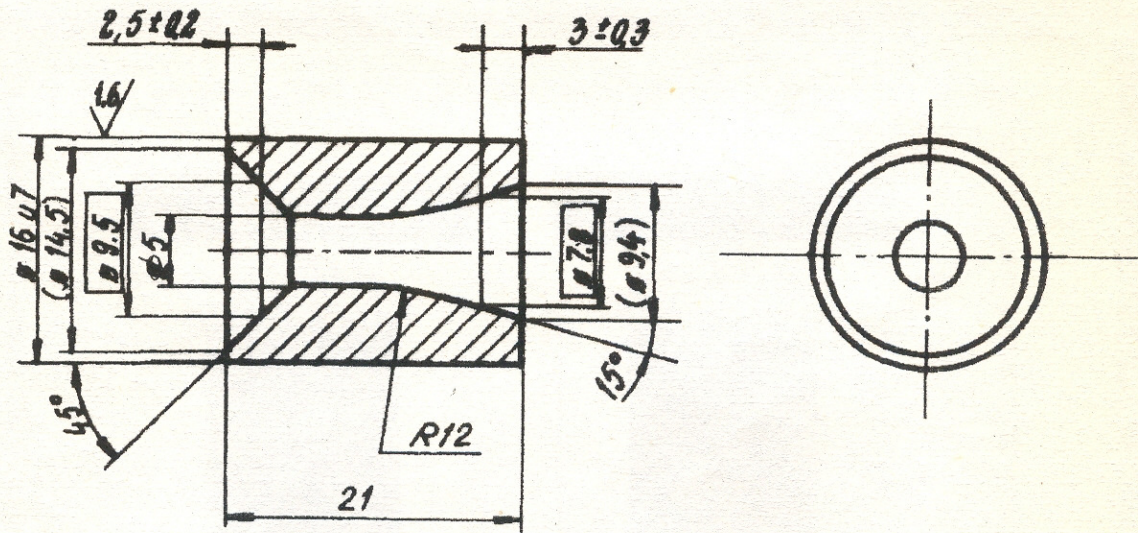


TO BE MARKED ON  
TOOL/GAUGE/PART  
TRD-1-2-2242

VEILED-FOR PLANNING AND TRADE ENGINI.

THIS DOCUMENT IS THE PROPERTY OF GOVT. OF INDIA  
MINISTRY OF DEFENCE & IS ISSUED FOR THE PURPOSE  
OF DEVELOPING/MANUFACTURING STORES REQUIRED FOR  
DEFENCE USE. IT MUST NOT BE REPRODUCED/DISCLOSED  
TO ANY THIRD PARTY OR USED FOR AND CIVIL PURPOSE.



MATL.- PURE ACHESON GRAPHITE of  
GRADES -  
Le CARBONE P 5890  
Le CARBONE 2239  
Le CARBONE 2114  
RINGS DORFF-WERKE EK 78.

Tol. SMS 715 medium.



			MATERIAL -	See Spec F1301-904840
--	--	--	------------	-----------------------

				ITEM No.	DESCRIPTION	No. OFF	MATERIAL
INSP.	DATE	HOS/ CDO	DA No		HEAT TREATMENT Rc.		CARBON NOZZEL BLANK (IN)
AMENDMENTS					12.5-25 Ra ▽ 0.2-0.8 Ra ▽▽▽		
JWM/R4D Date 1/6/07					1.6-6.3 Ra ▽▽ 0.1-0.025 Ra ▽▽▽		M/C
HOS/ CAD C. <i>Qm</i>					DIMENSIONS ARE IN mm.		DRG. No.
DATE 1/6/07					UNTOL. DIMNS. IS:2102 MEDIUM		TRD-1-2-2242
CKD <i>plus</i>					SHARP EDGES TO BE REMOVED		SCALE:- NTS
DRN					GUGING SURFACES SHOWN BY THICK LINES		No. OF SHT. -
TRD					ORDNANCE FACTORY KHAMARIA		SHEET No. -
APPROVED BY <i>Jt. gm R4D/CTR</i>							
PS/GS.				STORE:- 84 mm HEAT-SSI		COMPT.	
				DRG. No.		DRG.No. 6413206	