

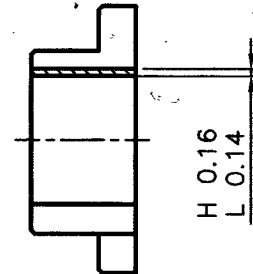
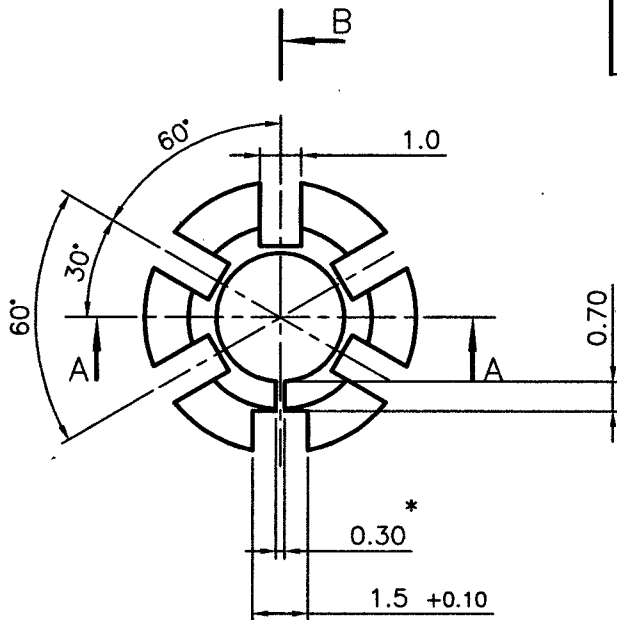
DRG. NO : FS-2468 A

TOLERANCE ON UNTOLERATED DIMNS. ARE AS PER IS: 2102, MEDIUM CLASS

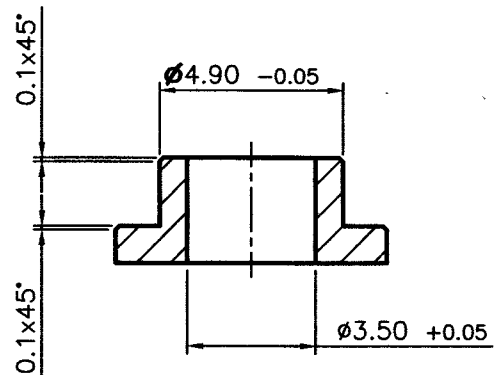
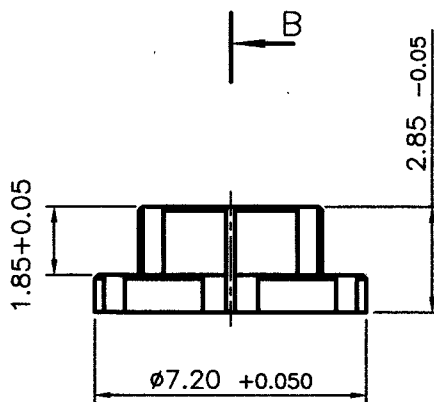
PROVISIONAL

AMENDMENTS

REV.	DATE	DESCRIPTION	SIGN.
A <sup>249</sup> / <sub>2014</sub>	20/10/14	CHROMATED SPECIFICATION IS: 11232-1985 CLASS-3 ADDED. DRG. ADV. TO 'A'	<i>[Signature]</i> Sr. DIR/ ODC



B-B



A-A

\* SLIT AFTER ALL OPERATION AND INSPECTIONS.

MATERIAL: AL. ALLOY: SPECN.  
BS 1474:1987 Grade 2014A  
IN T6 CONDITION  
CHROMATED TO IS: 11232-1985 CLASS-3  
BURRS/SHARP EDGES NOT PERMITTED.

3.2/

DIMENSIONS ARE IN mm			MATERIAL : AS ABOVE		ORDNANCE FACTORY AMBAJHARI
THIRD ANGLE PROJECTION			NOMENCLATURE :		
SCALE : 5 : 1			SAFETY LOCK		DRG. NO : FS-2468 A
2004	NAME	DATE			SHEET NO : 1
DRAWN	<i>[Signature]</i>	02/03/04			NO. OF SHEETS : 1
CHECKED	<i>Pornial</i>	03/03/04			OPERATION NO :
JWM/CDD	<i>Pornial</i>	03/03/04			COMPT. : FUZE M842
APPVD.	JGM/R&D	<i>[Signature]</i>	03/03/04	MACHINE :	
				STORE : AMMN. 20mm AMR HEI	