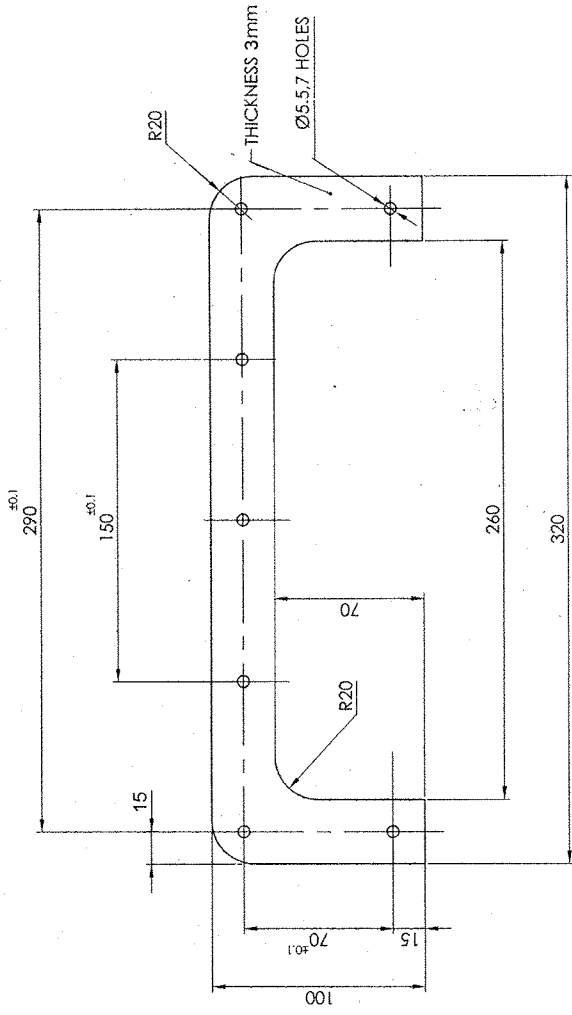


REVISION - I



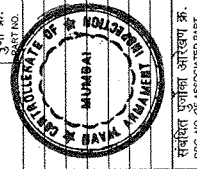
Physical Property of polychloroprene rubber BS:2752 Grade C60

1	Hardness after Vulcanization (IRHD)	60 ± 2
2	Density (Mg/m <sup>3</sup> )	1.3 ± 0.02
3	Minimum tensile strength (MPa)	13
4	Minimum elongation at break (%)	250
5	Maximum compression set (%)	25
6	Resistance to liquids	0
7	Volume change (%) after immersion in liquid B	+70
8	Resistance to low temperature in C at which the stiffness shall not exceed 70MPa	-30
9	Adhesion to and corrosion of metals	# #
10	Resistance to accelerated aging	-0
11	i. Change in hardness degree (IRHD)	+7
12	ii. Maximum change in tensile strength (% of original value)	-12
13	iii. Maximum change in elongation at break (% of original value)	-20
14	Ash contents	< 8%

# # - There shall be no corrosion or pitting of the metals and the vulcanizates shall not adhere to the metal surfaces or show any sign of liquid exudation. Discoloration of the metal surfaces shall not be considered cause for rejection.

\*\*\* Polychloroprene rubber BS:2752 Grade C60

2	GASKET-VI	***	प्लग MATERIAL	मापक STANDARD	पूरिमाप DIMENSIONS	अभ्यक्ति REMARKS
संख्या NO. OF	विवरण DESCRIPTION	पुर्जा क्र. PART NO.	प्लग MATERIAL	मापक STANDARD	पूरिमाप DIMENSIONS	अभ्यक्ति REMARKS
सामान्य सहिष्णुता GENERAL TOLERANCE	सामान्य सहिष्णुता GENERAL TOLERANCE	पुर्जा क्र. PART NO.	प्लग MATERIAL	मापक STANDARD	पूरिमाप DIMENSIONS	अभ्यक्ति REMARKS
रेखक प्रतिमाप LINEAR DIMENSION	रेखक प्रतिमाप LINEAR DIMENSION	पुर्जा क्र. PART NO.	प्लग MATERIAL	मापक STANDARD	पूरिमाप DIMENSIONS	अभ्यक्ति REMARKS
0.4 0.5 0.8 1.2 1.5 2.0 3.0 4.0 5.0 6.3 8.0 10.0 12.5 16.0 20.0 25.0 31.5 40.0 50.0 63.0 80.0 100.0 125.0 160.0 200.0 250.0 315.0 400.0 500.0 630.0 800.0 1000.0	0.1 0.15 0.2 0.3 0.4 0.5 0.8 1.0 1.2 1.5 2.0 2.5 3.0 4.0 5.0 6.3 8.0 10.0 12.5 16.0 20.0 25.0 31.5 40.0 50.0 63.0 80.0 100.0 125.0 160.0 200.0 250.0 315.0 400.0 500.0 630.0 800.0 1000.0	पुर्जा क्र. PART NO.	प्लग MATERIAL	मापक STANDARD	पूरिमाप DIMENSIONS	अभ्यक्ति REMARKS
गोलाकार प्रतिमाप ANGULAR DIMENSION	गोलाकार प्रतिमाप ANGULAR DIMENSION	पुर्जा क्र. PART NO.	प्लग MATERIAL	मापक STANDARD	पूरिमाप DIMENSIONS	अभ्यक्ति REMARKS
10.0 15.0 20.0 25.0 30.0 35.0 40.0 45.0 50.0 55.0 60.0 65.0 70.0 75.0 80.0 85.0 90.0 95.0 100.0	10.0 15.0 20.0 25.0 30.0 35.0 40.0 45.0 50.0 55.0 60.0 65.0 70.0 75.0 80.0 85.0 90.0 95.0 100.0	पुर्जा क्र. PART NO.	प्लग MATERIAL	मापक STANDARD	पूरिमाप DIMENSIONS	अभ्यक्ति REMARKS
मापक "यू.एस." में VALUE IN "MM"	मापक "यू.एस." में VALUE IN "MM"	पुर्जा क्र. PART NO.	प्लग MATERIAL	मापक STANDARD	पूरिमाप DIMENSIONS	अभ्यक्ति REMARKS
0.25 0.5 1.0 1.5 2.0 2.5 3.0 3.5 4.0 4.5 5.0 5.5 6.0 6.5 7.0 7.5 8.0 8.5 9.0 9.5 10.0	0.25 0.5 1.0 1.5 2.0 2.5 3.0 3.5 4.0 4.5 5.0 5.5 6.0 6.5 7.0 7.5 8.0 8.5 9.0 9.5 10.0	पुर्जा क्र. PART NO.	प्लग MATERIAL	मापक STANDARD	पूरिमाप DIMENSIONS	अभ्यक्ति REMARKS
मूलमाप व अन्वयोजन NOMINAL SIZE & FIT	मूलमाप व अन्वयोजन NOMINAL SIZE & FIT	पुर्जा क्र. PART NO.	प्लग MATERIAL	मापक STANDARD	पूरिमाप DIMENSIONS	अभ्यक्ति REMARKS
विचलन DEVIATION	विचलन DEVIATION	पुर्जा क्र. PART NO.	प्लग MATERIAL	मापक STANDARD	पूरिमाप DIMENSIONS	अभ्यक्ति REMARKS
मशीनी औजार आदिरूप फैक्टरी, अम्बर्नाथ MACHINE TOOL PROTOTYPE FACTORY, AMBERNATH	मशीनी औजार आदिरूप फैक्टरी, अम्बर्नाथ MACHINE TOOL PROTOTYPE FACTORY, AMBERNATH	पुर्जा क्र. PART NO.	प्लग MATERIAL	मापक STANDARD	पूरिमाप DIMENSIONS	अभ्यक्ति REMARKS
कार्यालय OFFICE	कार्यालय OFFICE	पुर्जा क्र. PART NO.	प्लग MATERIAL	मापक STANDARD	पूरिमाप DIMENSIONS	अभ्यक्ति REMARKS
DO	DO	पुर्जा क्र. PART NO.	प्लग MATERIAL	मापक STANDARD	पूरिमाप DIMENSIONS	अभ्यक्ति REMARKS
ड्रांगिंग नं. DRAWING NO.	ड्रांगिंग नं. DRAWING NO.	पुर्जा क्र. PART NO.	प्लग MATERIAL	मापक STANDARD	पूरिमाप DIMENSIONS	अभ्यक्ति REMARKS
DW-1108-0025-13	DW-1108-0025-13	पुर्जा क्र. PART NO.	प्लग MATERIAL	मापक STANDARD	पूरिमाप DIMENSIONS	अभ्यक्ति REMARKS



(S. Ramesh)  
Commander  
Chief Inspector of Naval Armament Inspection

GASKET-VI  
LRMR LAUNCHER  
KAVACH MOD-II

मानमान  
SCALE 1:2

उत्तरिक्त  
APPROVED

द्वारा करवा  
BY

रिप्लेस  
REPLACED

आरंभक क्र.  
DRAWING NO. DW-1108-0025-13

इस आरेख को तथा इसके साथ की सम्पूर्ण सामग्री का स्वामित्व भारत सरकार रहा भारतीय  
भारतीय अणुसंधि निमित्तियों के पास है. भारतीय अणुसंधि निमित्तियों के भारतीय  
अनुमति के बिना इसकी नकल या किसी भी रूप में इसके उद्धरण या इसमें समाहित सूचना किसी  
अन्य व्यक्ति को उपलब्ध नहीं कराई जानी चाहिए।

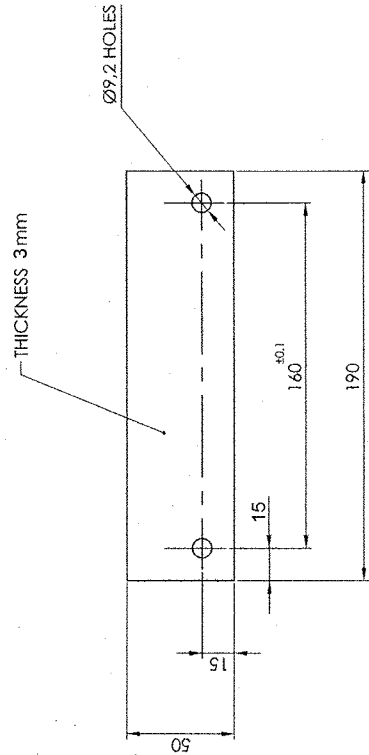
THE COPYRIGHT OF THESE DRAWINGS AND ALL ATTACHMENTS THERE TO BELONGS TO THE INDIAN  
ORDNANCE FACTORIES, MINISTRY OF DEFENCE, GOVT. OF INDIA. THEY SHOULD NOT BE COPIED, RE-  
PRODUCED IN ANY WAY OR THE INFORMATION CONTAINED THEREIN MADE AVAILABLE TO UNAUTHO-  
RIZED PERSONS WITHOUT THE WRITTEN PERMISSION OF THE DIRECTOR OF ORDNANCE FACTORIES.







REVISION - I



Physical Property of polychloroprene rubber BS:2752 Grade C60		
1	Hardness after Vulcanization (IRHD)	60 <sup>+3</sup> <sub>-4</sub>
2	Density (Mg/m <sup>3</sup> )	1.3 ± 0.02
3	Minimum tensile strength (MPa)	13
3	Minimum elongation at break (%)	250
4	Maximum compression set (%)	25
5	Resistance to liquids	0
5	Volume change (%) after immersion in liquid B	+70
6	Resistance to low temperature in C at which the stiffness shall not exceed 70MPa	-30
7	Adhesion to and corrosion of metals	##
8	Resistance to accelerated ageing	-0
8	i. Change in hardness degree (IRHD)	+7
	ii. Maximum change in tensile strength (% of original value)	-12
	iii. Maximum change in elongation at break (% of original value)	-20
9	Ash contents	< 8%

## - There shall be no corrosion or pitting of the metals and the vulcanizates shall not adhere to the metal surfaces or show any sign of liquid exudation. Discoloration of the metal surfaces shall not be considered cause for rejection.

\*\*\* Polychloroprene rubber BS:2752 Grade C60

2		GASKET-X		***			
रखवा NO.OFF	विवरण DESCRIPTION	पुंजा क्र. PART NO.	पदार्थ MATERIAL	मानक STANDARD	परिमाण DIMENSIONS	अपेक्षित REMARKS	
	सामान्य संक्षिप्ता GENERAL TO ENTRIES						
	रेखक परिभाषा LINEAR DIMENSION						
	CS						
	C-30						
	20-120						
	20-215						
	175-1000						
	20-2000						
	कीलक परिमाण ANGULAR DIMENSION						
	17-30						
	17-50						
	17-70						
	17-90						
	17-100						
	17-110						
	17-120						
	17-130						
	17-140						
	17-150						
	17-160						
	17-170						
	17-180						
	17-190						
	17-200						
	17-210						
	17-220						
	17-230						
	17-240						
	17-250						
	17-260						
	17-270						
	17-280						
	17-290						
	17-300						
	17-310						
	17-320						
	17-330						
	17-340						
	17-350						
	17-360						
	17-370						
	17-380						
	17-390						
	17-400						
	17-410						
	17-420						
	17-430						
	17-440						
	17-450						
	17-460						
	17-470						
	17-480						
	17-490						
	17-500						
	17-510						
	17-520						
	17-530						
	17-540						
	17-550						
	17-560						
	17-570						
	17-580						
	17-590						
	17-600						
	17-610						
	17-620						
	17-630						
	17-640						
	17-650						
	17-660						
	17-670						
	17-680						
	17-690						
	17-700						
	17-710						
	17-720						
	17-730						
	17-740						
	17-750						
	17-760						
	17-770						
	17-780						
	17-790						
	17-800						
	17-810						
	17-820						
	17-830						
	17-840						
	17-850						
	17-860						
	17-870						
	17-880						
	17-890						
	17-900						
	17-910						
	17-920						
	17-930						
	17-940						
	17-950						
	17-960						
	17-970						
	17-980						
	17-990						
	18-000						
	18-010						
	18-020						
	18-030						
	18-040						
	18-050						
	18-060						
	18-070						
	18-080						
	18-090						
	18-100						
	18-110						
	18-120						
	18-130						
	18-140						
	18-150						
	18-160						
	18-170						
	18-180						
	18-190						
	18-200						
	18-210						
	18-220						
	18-230						
	18-240						
	18-250						
	18-260						
	18-270						
	18-280						
	18-290						
	18-300						
	18-310						
	18-320						
	18-330						
	18-340						
	18-350						
	18-360						
	18-370						
	18-380						
	18-390						
	18-400						
	18-410						
	18-420						
	18-430						
	18-440						
	18-450						
	18-460						
	18-470						
	18-480						
	18-490						
	18-500						
	18-510						
	18-520						
	18-530						
	18-540						
	18-550						
	18-560						
	18-570						
	18-580						
	18-590						
	18-600						
	18-610						
	18-620						
	18-630						
	18-640						
	18-650						
	18-660						
	18-670						
	18-680						
	18-690						
	18-700						
	18-710						
	18-720						
	18-730						
	18-740						
	18-750						
	18-760						
	18-770						
	18-780						
	18-790						
	18-800						
	18-810						
	18-820						
	18-830						
	18-840						
	18-850						
	18-860						
	18-870						
	18-880						
	18-890						
	18-900						
	18-910						
	18-920						
	18-930						
	18-940						
	18-950						
	18-960						
	18-970						
	18-980						
	18-990						
	19-000						
	19-010						
	19-020						
	19-030						
	19-040						
	19-050						