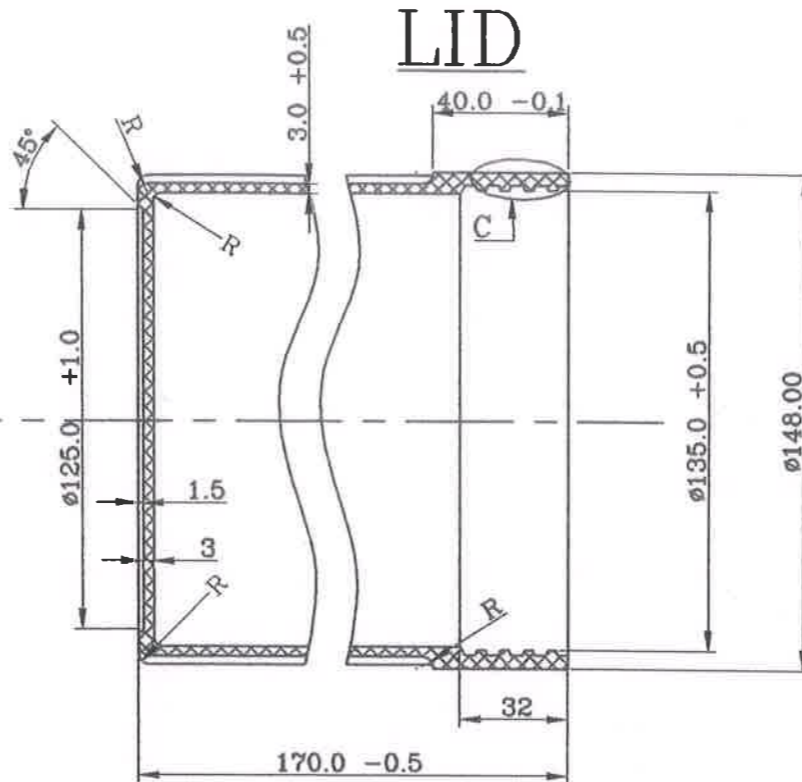
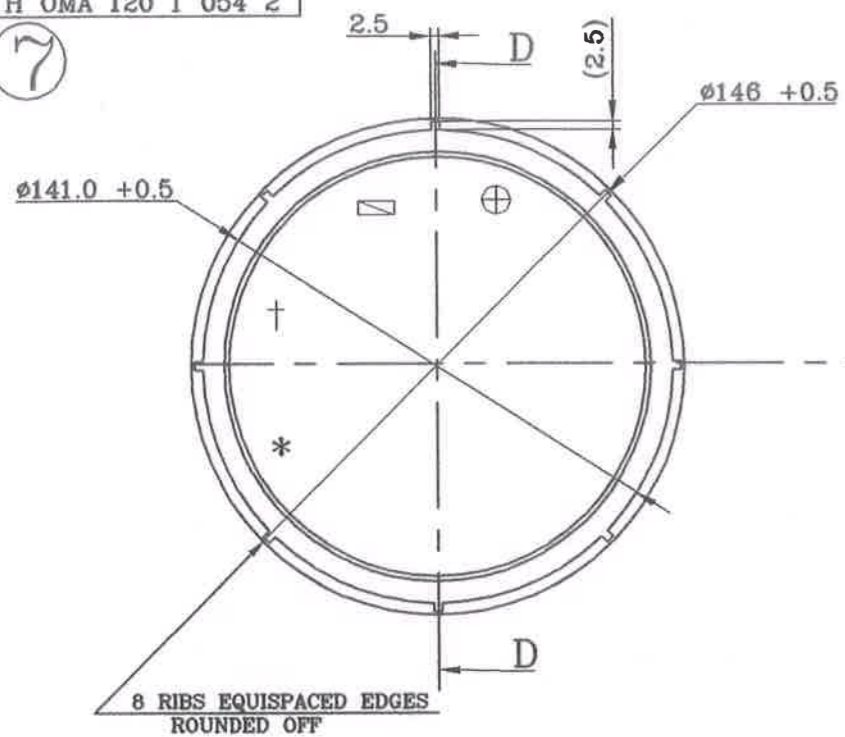


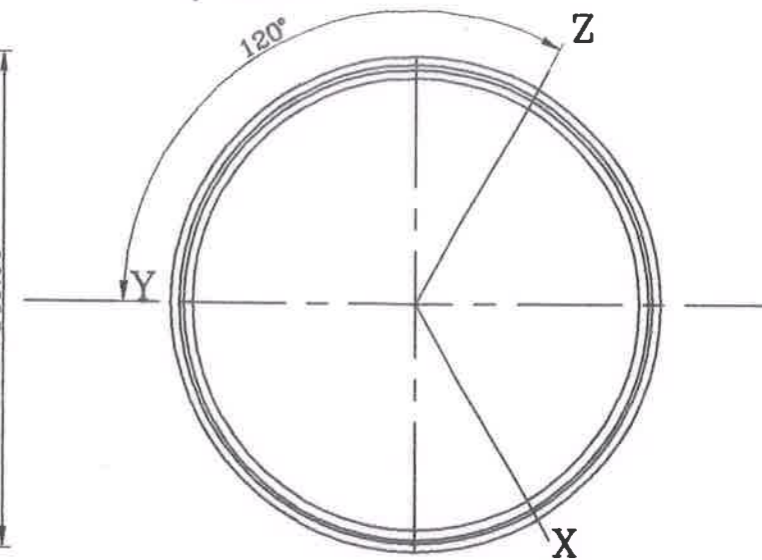
DRG. NO:
H OMA 120 1 054 2

7

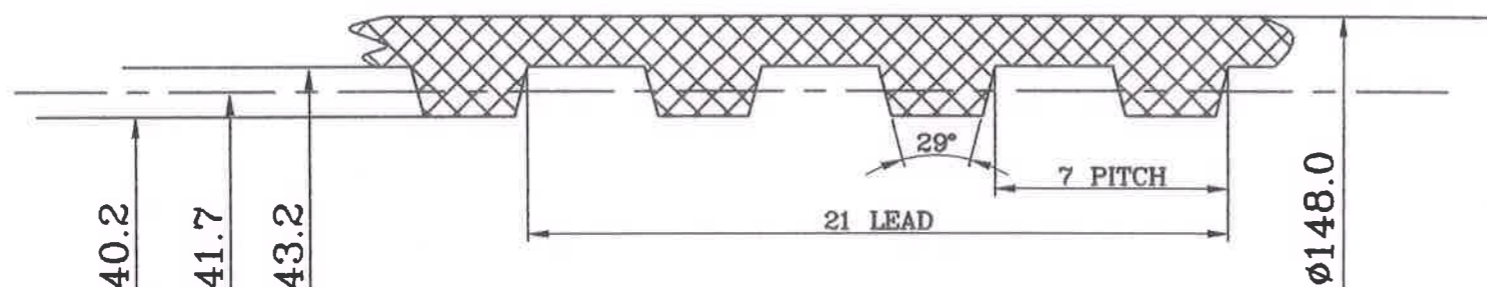


SECTION "D-D"

REFERENCE



3 START RH THREAD SHOWING AT XYZ



ENLARGED VIEW AT "C"

SCALE-5:1

ABRUPT START OF PERFECT THREAD 3 START THREAD RH

LID

QTY-1

MATERIAL: REF.NOTE 1

THIS DRG. SUPERSEEDS THE DRG. NO H OMA 120 1 053 1

ISSUED BY
STANDARD CELL
for EOI
DATE: 9/9/12
SIGNATURE:

ALL DIMENSIONS ARE IN MM

2. REFER SHT 1 OF 4.	REV.	ALT. NO	DATE & SIGN
1. REFER SHT 1 OF 4.	DRAWN		
ISSUE	CHECKD.		
	ALTERATIONS		
TITLE :	APPRD.	SHEET	
CONTAINER		3 OF 4	
FOR 120mm FSAPDS	DATE	SCALE	REV
	06/06/02	1:1	2
	SECTION	DESIGN	
HEAVY ALLOY PENETRATOR PROJECT	DRG. NO:		
TIRUCHIRAPALLI	H OMA 120 1 054 2		