

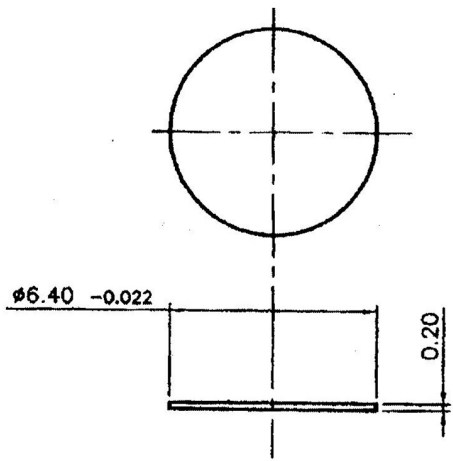
DRG. NO : FS-2467 A

AMENDMENTS

TOLERANCE ON UNTOLERATED DIMNS. ARE AS PER IS: 2102, MEDIUM CLASS

PROVISIONAL

REV.	DATE	DESCRIPTION	SIGN.
A	23/04	Previously material specn. was BS 970: part 2: 1991 Gr. 304S15 which is for rounds/bangalore as specn for sheets is BS 1449: part 2: 1983. Accordingly specn. changed and drawing marked provisional.	<i>[Signature]</i>



MATERIAL: AUSTENITIC STAINLESS STEEL
TO SPECN. BS 1449: Part 2 : 1983
Grade 304S15.

BURRS/SHARP EDGES NOT PERMITTED.

0.4

DIMENSIONS ARE IN mm			MATERIAL : AS ABOVE		ORDNANCE FACTORY AMBAJHARI
THIRD ANGLE PROJECTION			NOMENCLATURE :		
SCALE : 5 : 1			DIAPHRAGM		DRG. NO :
2004	NAME	DATE			FS-2467 A
DRAWN	<i>[Signature]</i>	06-03-04			SHEET NO : 1
REDRAWN					NO. OF SHEETS : 1
CHECKED	<i>[Signature]</i>	06-03-04			OPERATION NO :
JWM/CDD	<i>[Signature]</i>	06-03-04	COMPT. : FUZE M842		
APPROV.	JCM/R&D	<i>[Signature]</i>	MACHINE :		
			STORE : AMMN. 20mm AMR HEI		