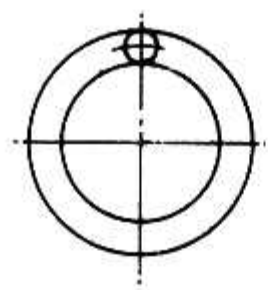
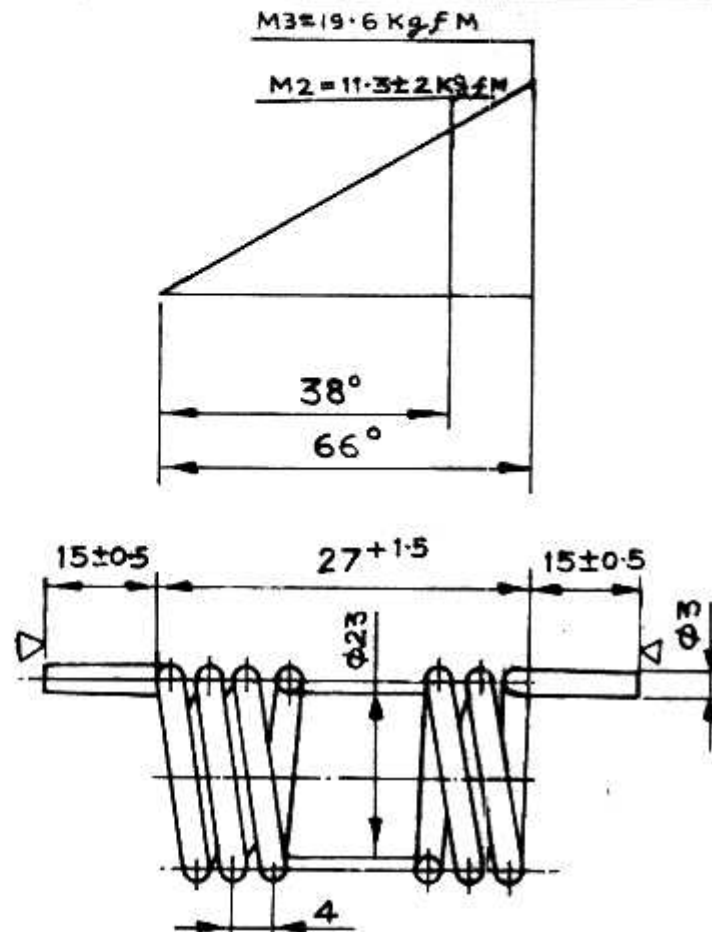


DS CAT No.

5360-006789

UNLESS OTHERWISE SPECIFIED  
(WITHOUT ANY SURFACE ROUGHNESS  
VALUE)

NUMBER OF OPERATING COILS	n	6
DIRECTION OF COILING OF SPRING	-	RIGHT
DIAMETER OF TEST SLEEVE	$D_r$	30A5
DIAMETER OF TEST BAR	$D_c$	22C5
LENGTH OF UNCOILED SPRING	L MM	345
MODULUS OF ELASTICITY	$E \frac{Kg}{mm^2}$	-



NOTES:-

- 1- BLUNT SPRING ENDS.
- 2- SHIFT OF SPRING ENDS IN RELATION TO EACH OTHER IS TO  $\pm 15^\circ$ .
- 3- COATING: PHOSPHATING TO SPECN JSS:0465-01 CLASS II/III, FINISH 13 (g).
- 4- OTHER TECHNICAL REQUIREMENTS AS PER OST 3-2561-74, GROUP II, CLASS II.
- 5- TESTING - THREE-TIME TENSIONING TO AN ANGLE OF  $66^\circ$ .

ID = 204  
01-02-03

ALT MATL :- STEEL WIRE GR 685 A 55 TO BS: 1429-80 TO ACHIEVE REQUIRED PROPERTIES OR STEEL WIRE TO GR 2D TO IS: 4454 PT III-1975.

11-7-92	17332-W	REF "M2=11.3±2 Kg.f M" WAS "M2=11.3±2 KFCM" & REF "M3=19.6 Kg.f M" ADDED.	KGV	C/D	
17.4.92	17271-W	ALT MATL ADDED. NOTE 3 & SURFACE FINISH AMENDED.	KGV	C/D	
17068 W 7-5-91	PROV SEALING CANCELLED AND DRG SEALED		KGV	C/D	
22.4.85	16313-W	DRG SEALED. PROV.	KGV	C/D	
8-9-90		RETRACED WITHOUT CHANGE			
		PREV DCS (I) No. 16313-W & 16881-W DT 2-4-90			
DATE	AUTHORITY	ZONE	NATURE	SIG AHSP	SIG DO
AMENDMENTS					
DRG SEALED:		DC (I) No.	17068-W		
DATE			7-5-91	DO CQA(W)	

DRAWN:-	CHD:-	ASSY. DRG:-
TRACED:- L. Singh	CHD:- G. P. Singh	DATE:- 22-6-84.
C/D MAN	DO	FOR CQA(W)
MATERIAL:- WIRE 60C2A-B-XH-3, GOST 14963-78		
PROTECTIVE FINISH:-		
SCALE:- 1:1		
MAGN:- 0.03		

**CQA(AVA) AVADI**

DESIGN No.

PART No. **2A20**  
**02-74**  
SHEET 1 OF 1

DS CAT No. SHEET 1 OF 1  
**5360-006789**

**RECOCKING SPRING** रिक्किंग स्प्रिंग

17826-W DSCAT NO. 5360-006789 WAS 13-12-93 TO 15-002860  
17453-W REF CF MATL SPEC AMENDED. 13.11.92  
18814 HINDI NOMENCLATURE ADDED 22-10-03