

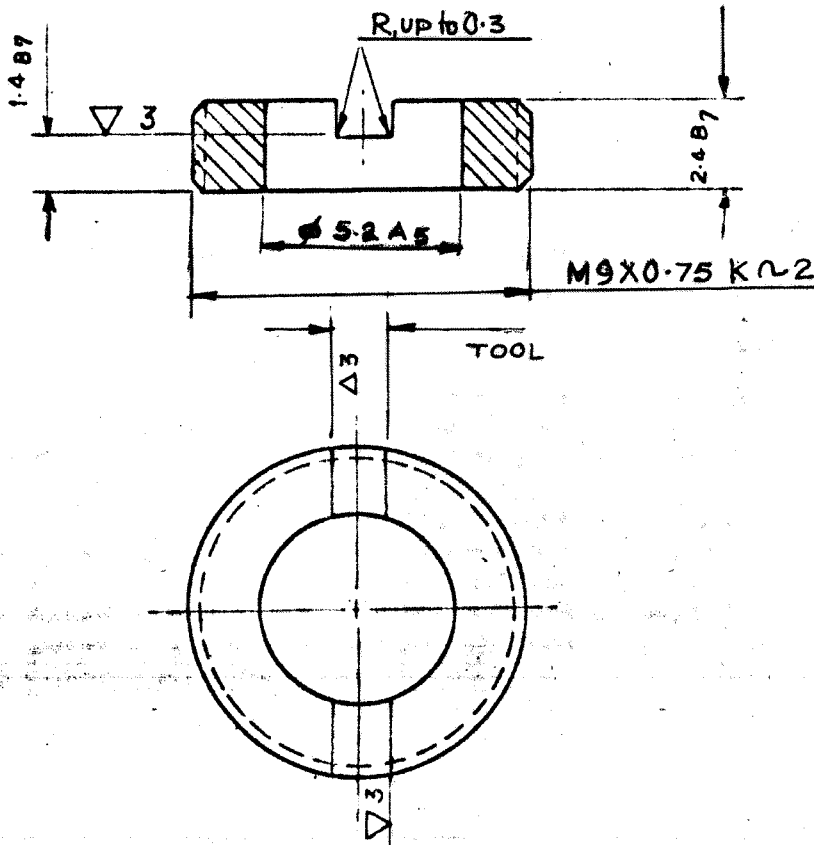
L2



6.6940-2

IF NOT OTHERWISE STATED

DCI 28794-A



THREAD NOT TO BE CHECKED WITH 'NO GO' GAUGE. LACQUER WITH 3-5% SHELLAC
 TYFAY 4391-54. ALTERNATIVELY IN INDIA TO BE COATED WITH APC NO 222
 TO SPECIFICATION NO JSS ~~1-63-11~~ 8010-63 1/96

MATL: IN INDIA, BRASS TO BS EN : 12166-1998 MATERIAL SYMBOL
 CuZn40 Pb2 NUMBER CW617N CONDITION R410

D.S. Cat. No. 1390-000372

FZ-B489

6-7-11	DC.37284-A	MATL. AMENDED		
3-5-90	34858-A	Matl. Spec. Amended	1/6/90	1/90
11-2-85	34325-A	D.S. Cat. Nr. Added	29/4/85	1/85
21-4-85	33748-A	ALTERNATIVELY IN INDIA NO JSS 1-63-11 NOTE AMENDED		
15-1-82		TRACED WITHOUT CHANGE		
		PREVIOUS DC (1) NOS 28794-A, 29221-A 29486-A & 31383-A		
DATE	AUTHORITY	REVISION	INSPIRO SIGN	

3-016919	53-B-025Y	
SLEEVE FOR		
PART NO 36		
37		
LETTER	MASS	SCALE
	0.50	5:1
BRASS DC 59-1		
DOCT 1019-47		

R HEFU 130 81

DRN	CHD	TCD	COMP
		S.H.J	PPH