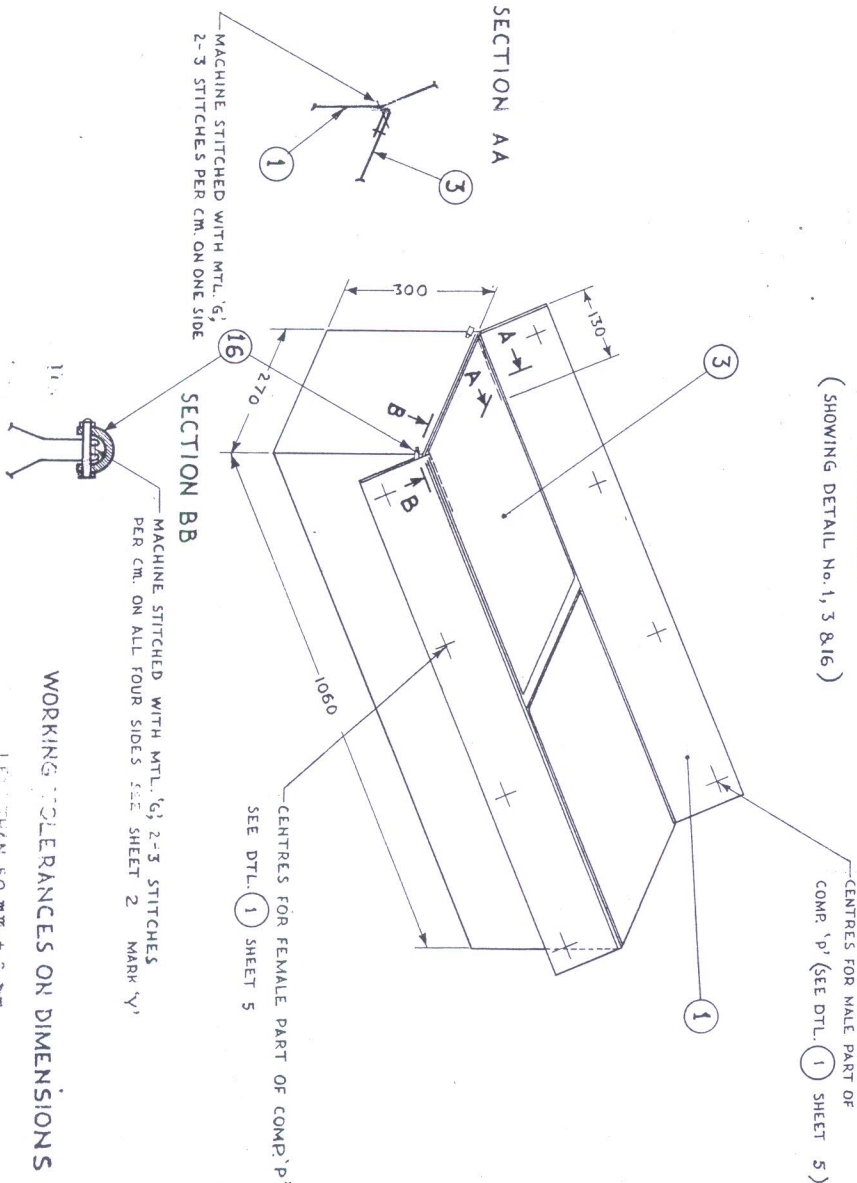


# BAG, PARACHUTIST'S, EQUIPMENT ADJUSTABLE

## INDEX

S.No	NOMENCLATURE	DTL No	SHEET No
1	INDEX ASSEMBLY		1
2	ASSEMBLY DEVELOPMENT (INNER VIEW)		2
3	" " (BACK VIEW)		3
4	" " (SECTIONS)		4
5	BODY	1	5
6	INTERNAL POCKETS	2	6
7	END FLAP	3	6
8	STOWING POCKET	4, 4A	7
9	FELT WOOLLEN	5, 6, 7	8
10	WEB COTTON PIECE	8	8
11	END STRAP WITH TRIANGULAR 'D' RING	9	9
12	FASTENING STRAP	10	9
13	STRAP WITH 'D' RINGS	11	10
14	ADJUSTABLE STRAP	12	10
15	LOWERING STRAP	13	11
16	STRAP WITH LUG	14	12
17	HANDLES STRAP WITH LUG	15	12
18	LEATHER STRIP SIZE A	16	12
19	LEATHER STRIP SIZE B	17	13
20	LIST OF MATERIALS/COMPONENTS & PACKING		14

ASSEMBLY  
(SHOWING DETAIL No. 1, 3 & 16)



### WORKING TOLERANCES ON DIMENSIONS

LESS THAN 50 mm ± 2 mm  
 50 TO 250 mm ± 3 mm  
 250 TO 760 mm ± 4 mm  
 760 TO 1525 mm ± 10 mm  
 1525 TO 3050 mm ± 15 mm

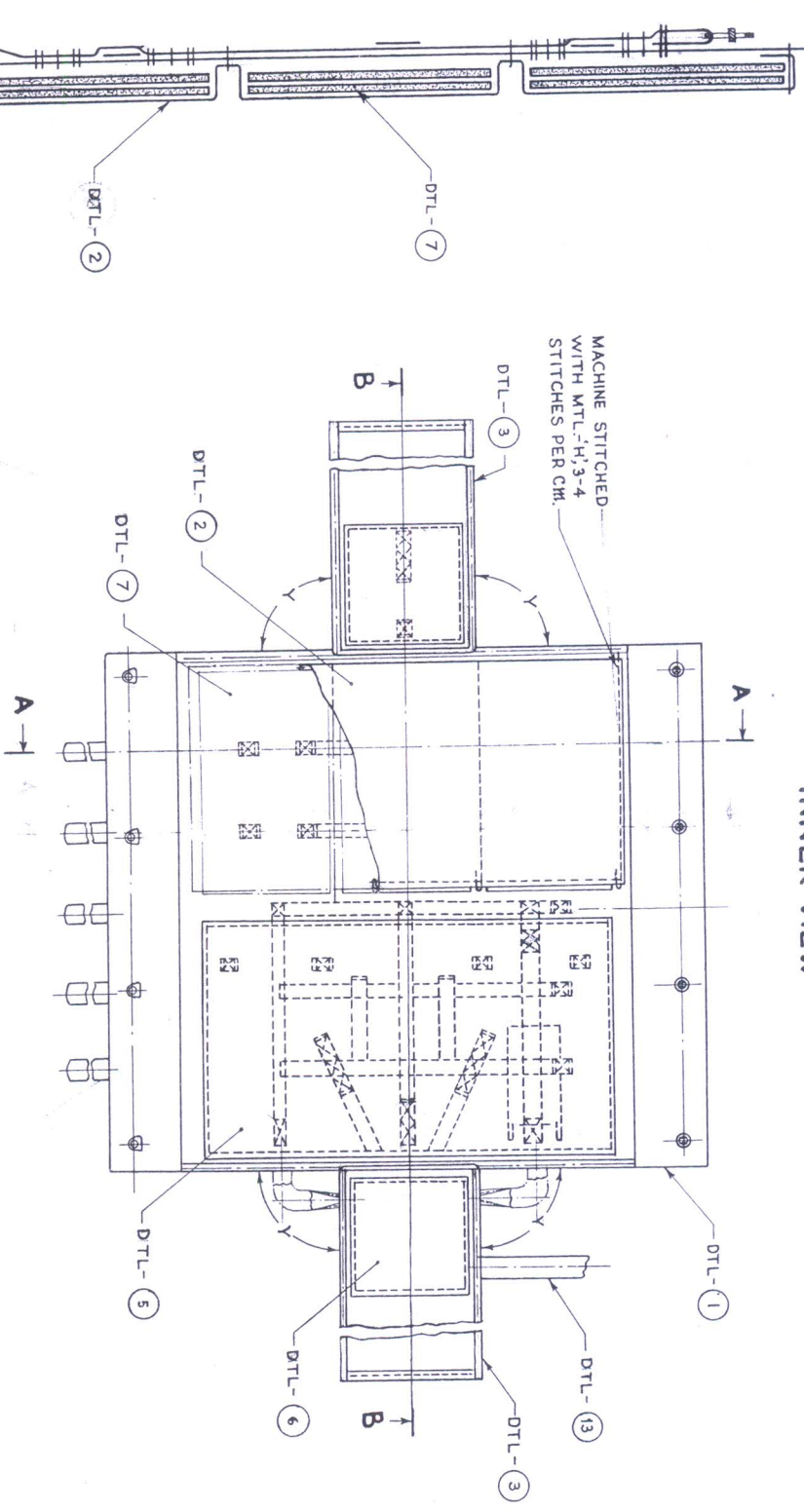
DESIGNED BY	DATE	SCALE
CHECKED BY		
APPROVED BY		
COMP. 1	COMP. 2	COMP. 3

SECTION-AA  
1:5

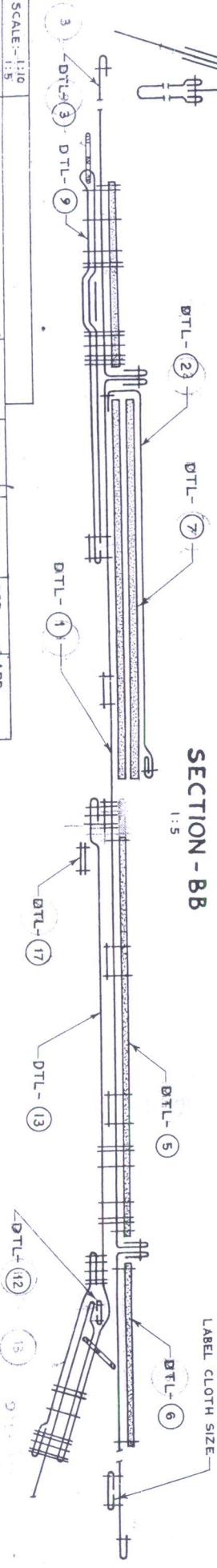
BAG, PARACHUTIST'S, EQUIPMENT ADJUSTABLE

ASSEMBLY DEVELOPMENT

INNER VIEW



SECTION-BB  
1:5



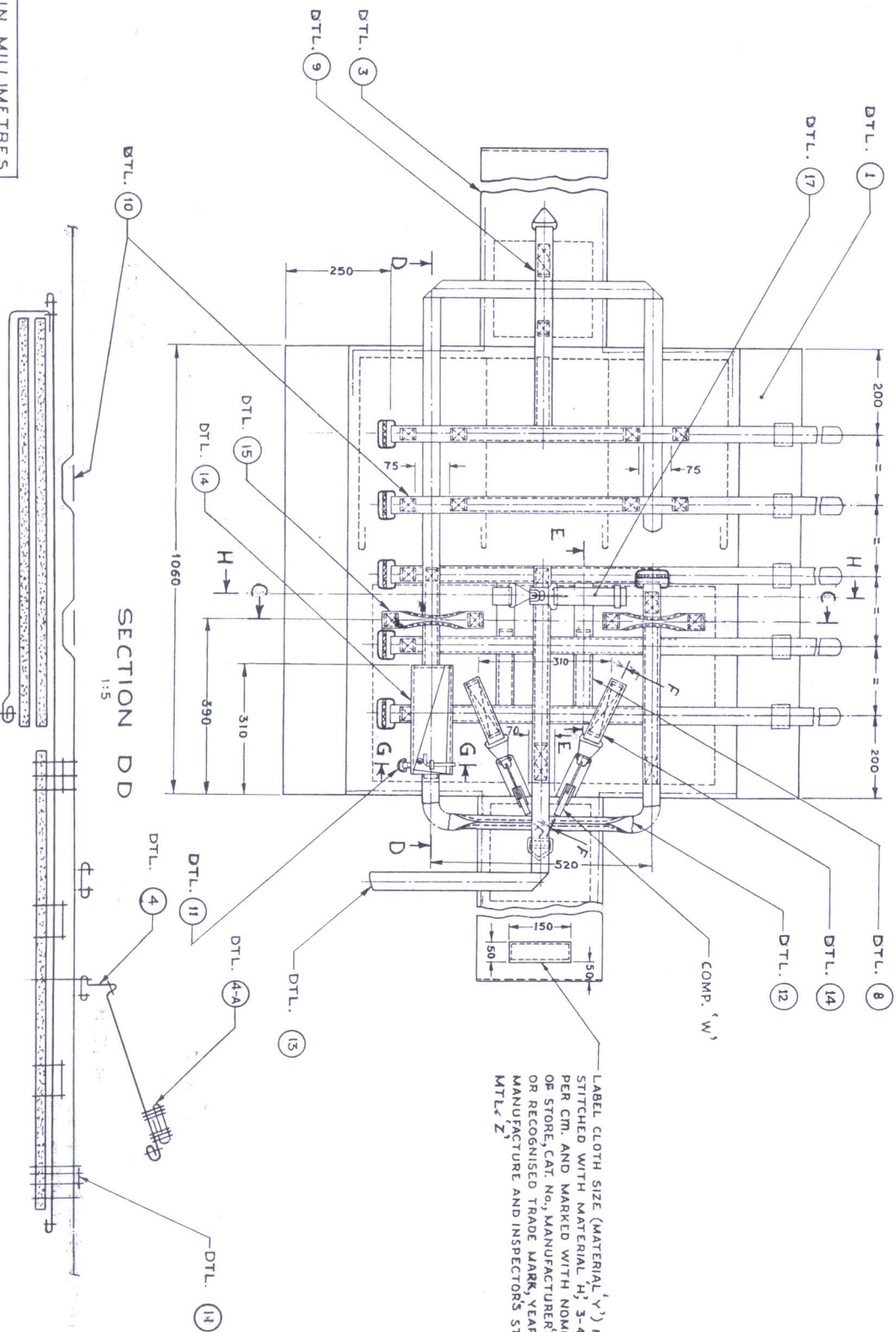
SCALE: 1:5

DESIGNED BY	CHKD.	TCD.	COMR.	PSD.	APP.
1.15/BJRN.	Sharma	Sharma	Sharma	Sharma	60



# BAG, PARACHUTIST'S, EQUIPMENT ADJUSTABLE

## ASSEMBLY-DEVELOPMENT BACK VIEW

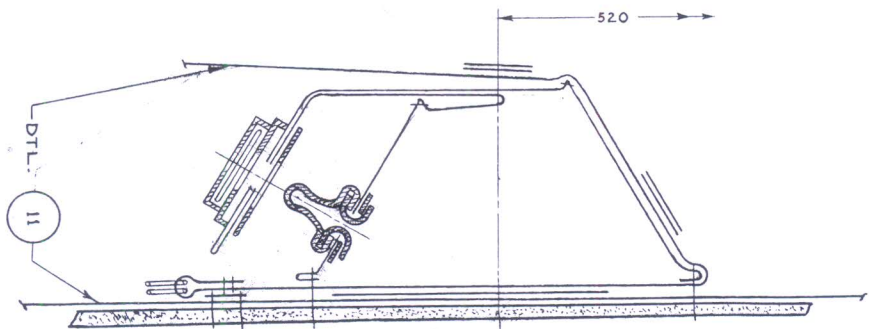
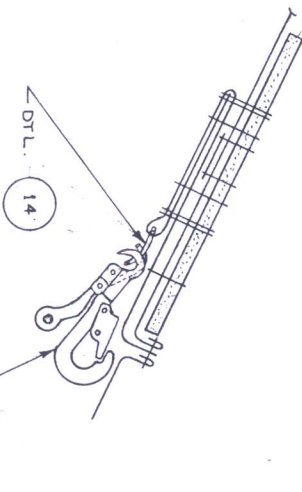
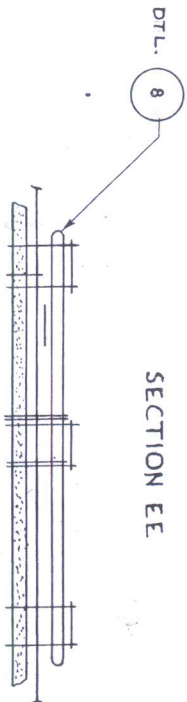
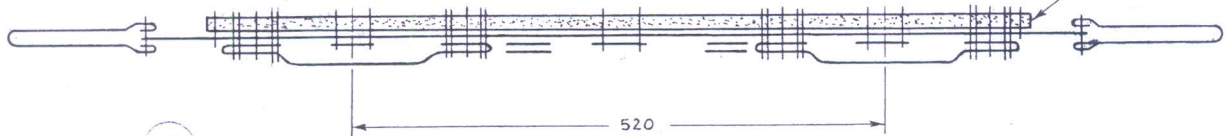
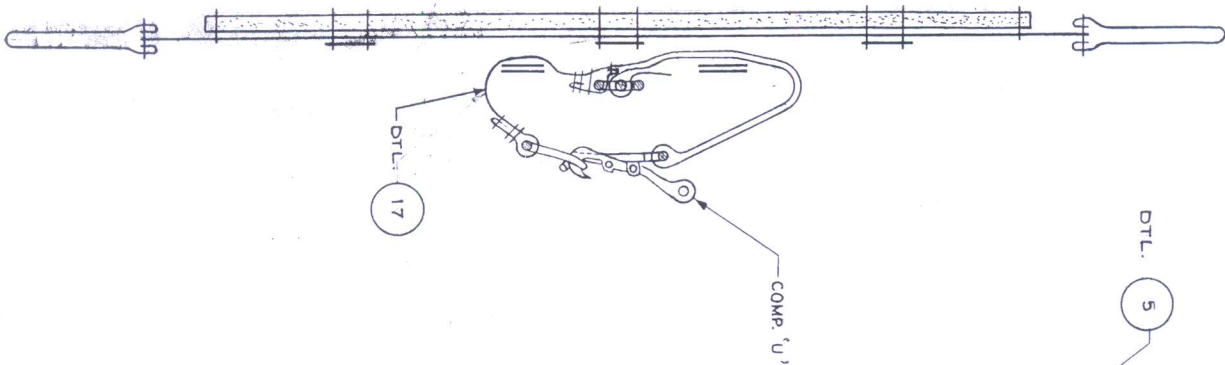


SECTION HH

SECTION CC

# BAG, PARACHUTIST'S, EQUIPMENT ADJUSTABLE

ASSEMBLY DEVELOPMENT  
(SECTIONS)



SCALE:--1:5 DIMENSIONS IN MILLIMETRES

TRACED FROM PROV. DRG. No. C/TT & C/TC-8/39	COPIED BY	P.S.D.	APD.
ADP			

DTL. 17

DTL. 5

520

DTL. 8

DTL. 14

520

DTL. 11

DTL. 10

DTL. 4

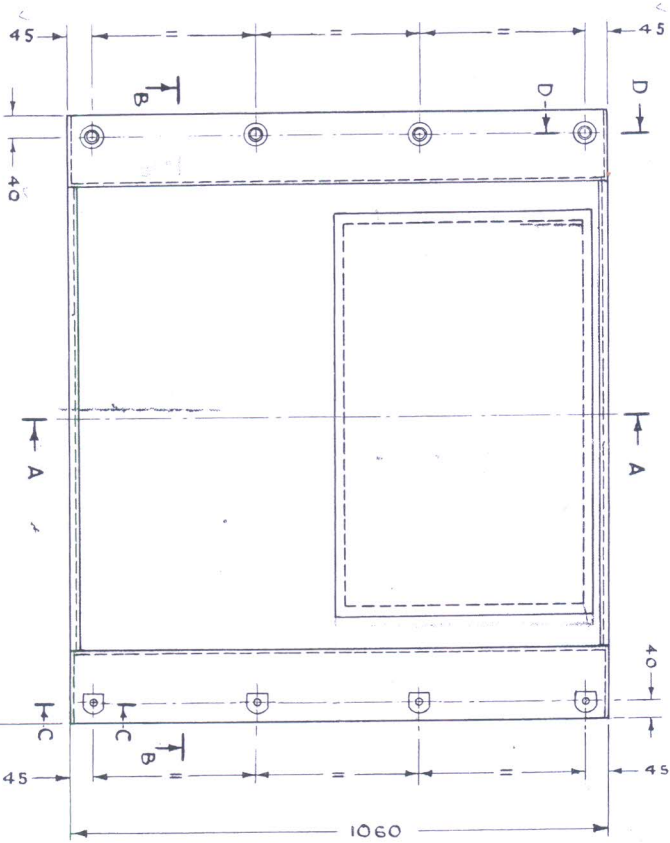
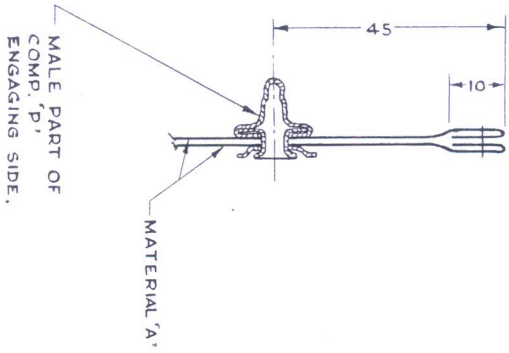
DTL. 11

# BAG, PARACHUTIST'S, EQUIPMENT ADJUSTABLE

## BODY 1-OFF



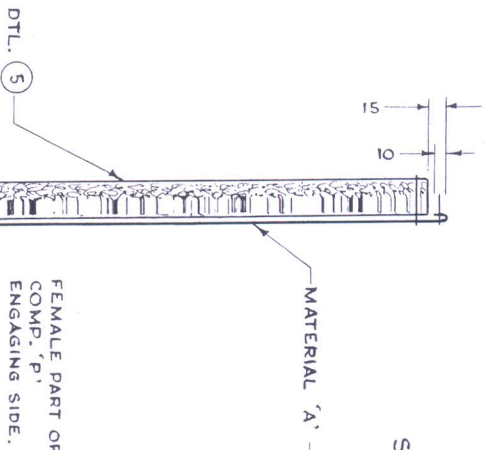
SECTION DD  
1:1



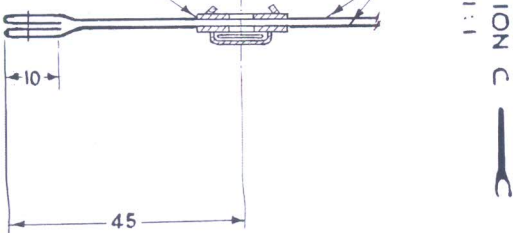
SECTION BB  
1:5



SECTION AA  
1:5



SECTION C  
1:1



SCALE: 1:1, 1:5, 1:10  
DIMENSIONS IN MILLIMETRES

BASED ON PROV. DRG. NO. ADDE/1015 (b)

CKD.	TC.D.	COMP.	PSD.	APPD.
<i>Radon</i>	<i>Radon</i>	<i>Radon</i>	<i>Radon</i>	<i>Radon</i>
50	50	50	50	50

NOTE: ALL STITCHINGS SHOULD BE MADE WITH MATERIAL 'G', 2 STITCHES PER CM.



# BAG, PARACHUTIST'S, EQUIPMENT ADJUSTABLE

(2)

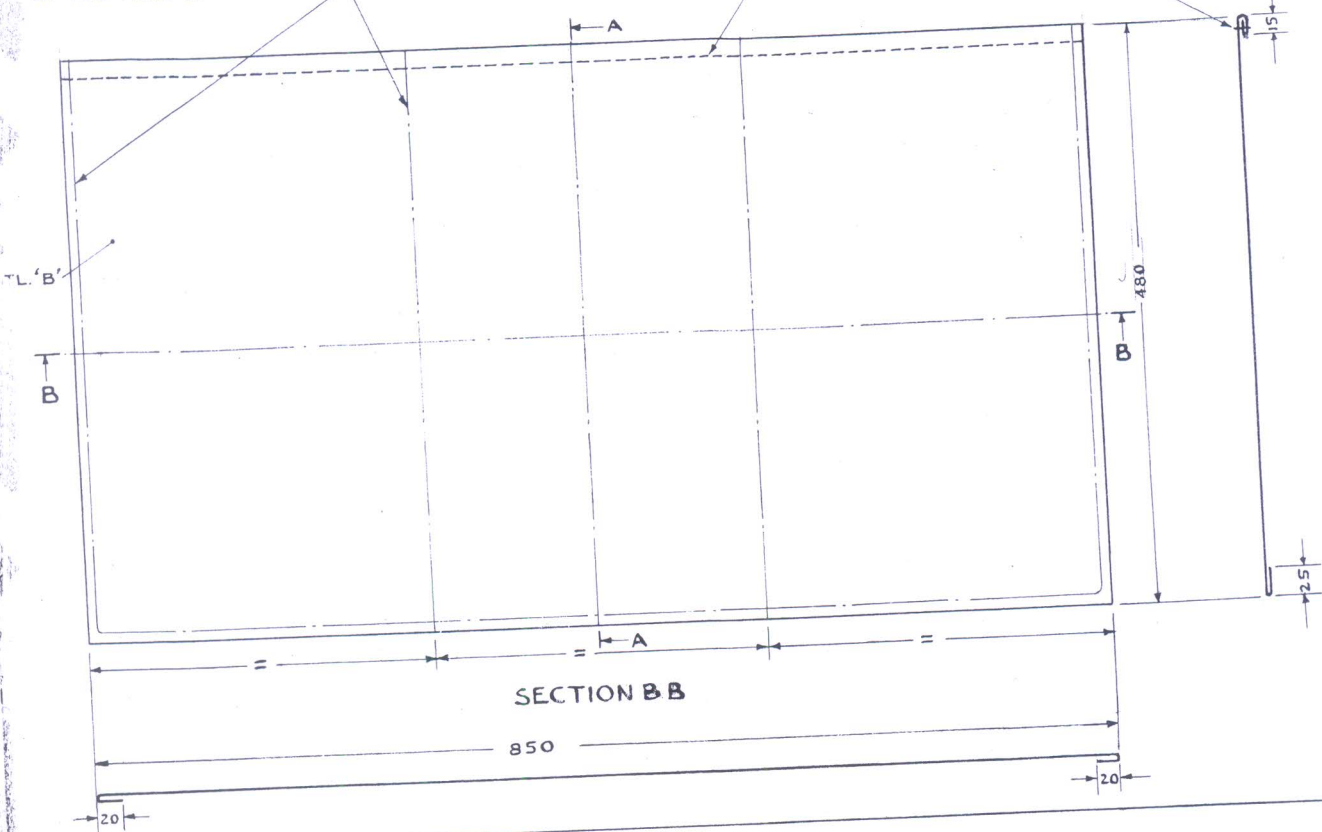
## INTERNAL POCKETS

1-OFF

SECTION A A

TO BE STITCHED, WITH MTL. 'H' TO DTL. ① AT THE TIME OF ASSEMBLY.

MACHINE STITCHED WITH MTL. 'H', 3-4 STITCHES PER CM.

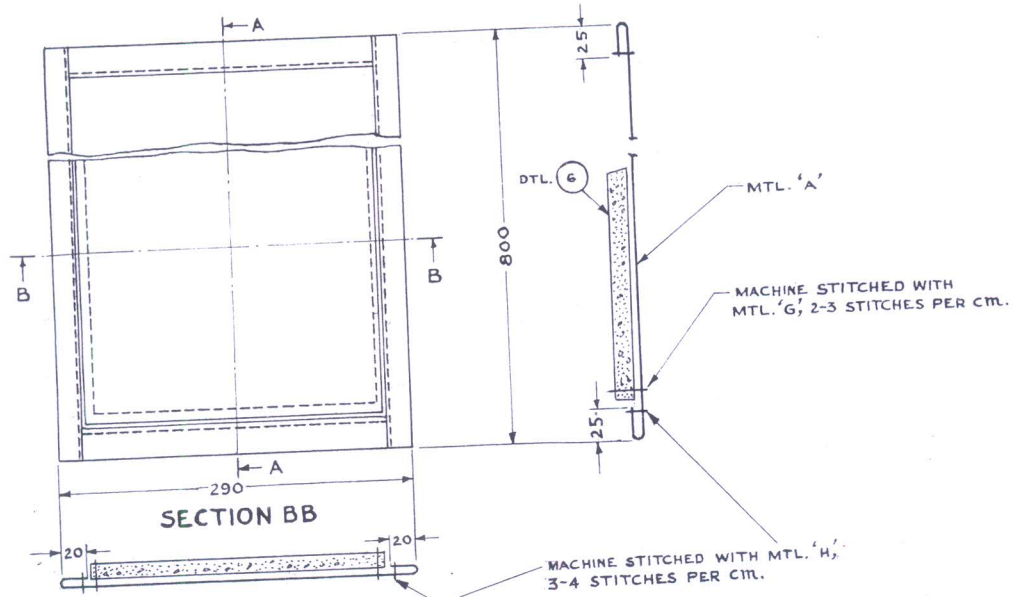


## END FLAP

2-OFF

SECTION A A

(3)



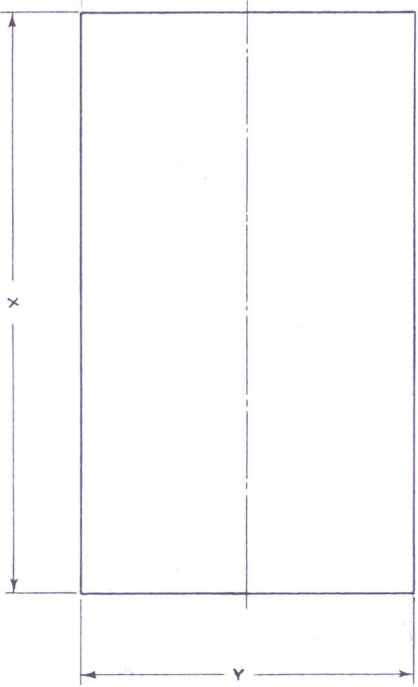
SCALE	DIMENSIONS IN MILLIMETRES			
NTS	TRACED FROM PROV. DRG.	COMP.	PSD.	APD.
	No. ADDE/1015(b)	<i>AB</i>	<i>3/1/50</i>	<i>6.0</i>





# BAG, PARACHUTIST'S, EQUIPMENT ADJUSTABLE

FELT WOOLLEN  
SCALE:- TYPICAL

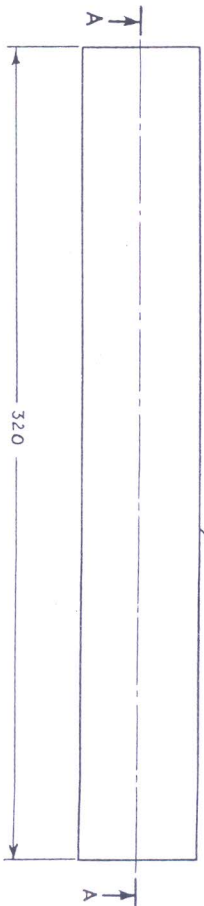


- 5
- 6
- 7

MTL. 'J'

WEB COTTON PIECE

2-OFF  
1:2



SECTION AA



TABLE OF DIMENSIONS

DETAIL No.	X	Y	No. OFF
5	830	500	1
6	245	245	2
7	470	265	6

SCALE:- 1:2  
DIMENSIONS IN MILLIMETRES

TRACED FROM PROV. DRG. No. C I T & C/TC-8/39  
ADDN/1015 (b)

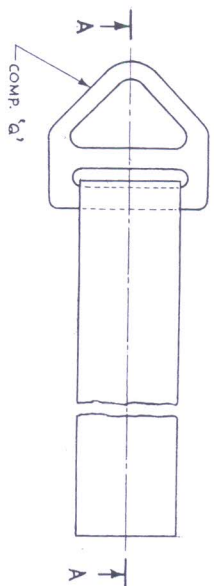
COMP. BY  
PSD.  
APD.



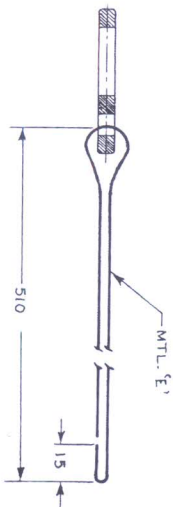
# BAG, PARACHUTIST'S, EQUIPMENT ADJUSTABLE

END STRAP WITH TRIANGULAR 'D' RING  
1 - OFF

9

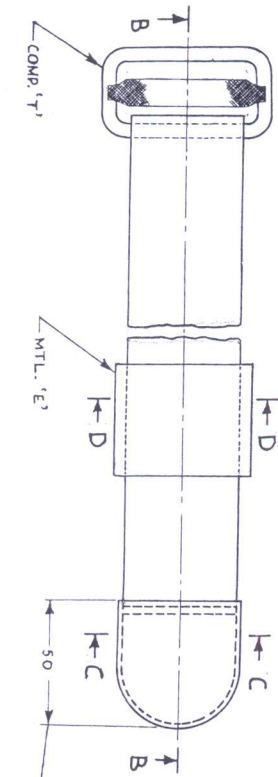


SECTION AA

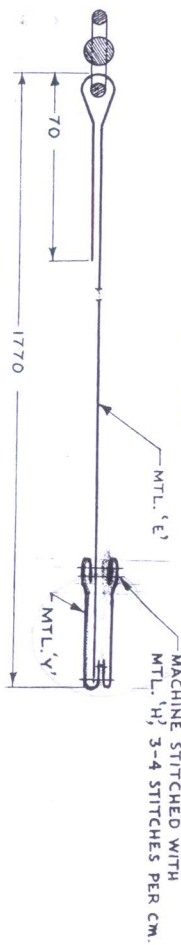


FASTENING STRAP  
5 - OFF

10



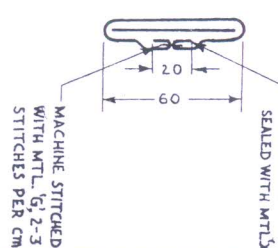
SECTION BB



SECTION CC



SECTION DD



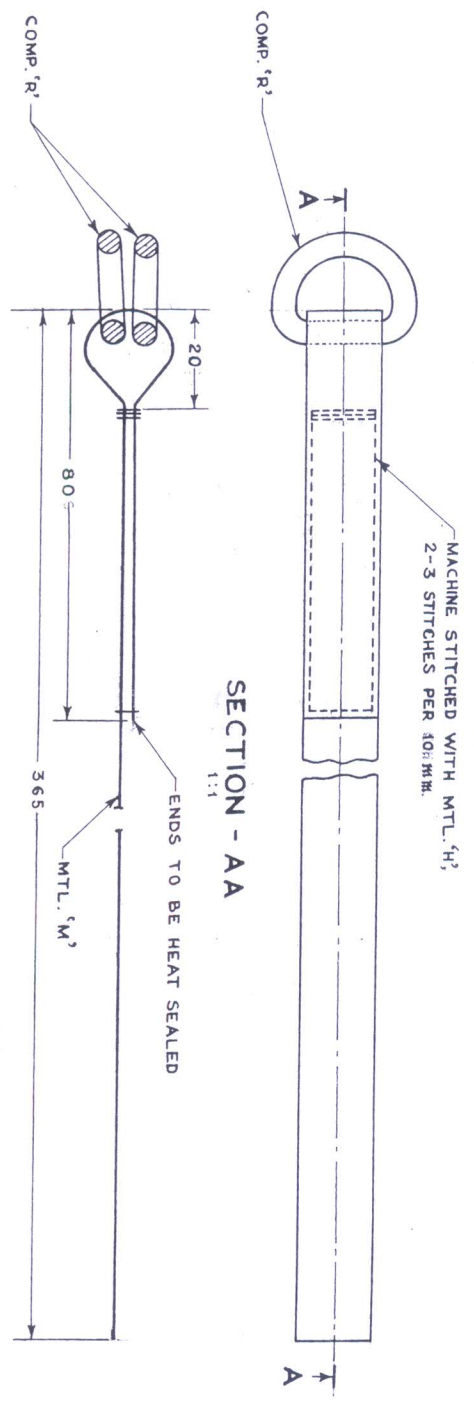
SCALE: 1:1.2  
DIMENSIONS IN MILLIMETRES

TRACED FROM PROV. DRG. No. XDDDE/1015 (b)	COMP. <i>Stankov</i>	PSD. <i>Stankov</i>	APPD. <i>Stankov</i>
	5.0	5.0	5.0

# BAG, PARACHUTIST'S, EQUIPMENT ADJUSTABLE

## STRAP WITH 'D' RINGS

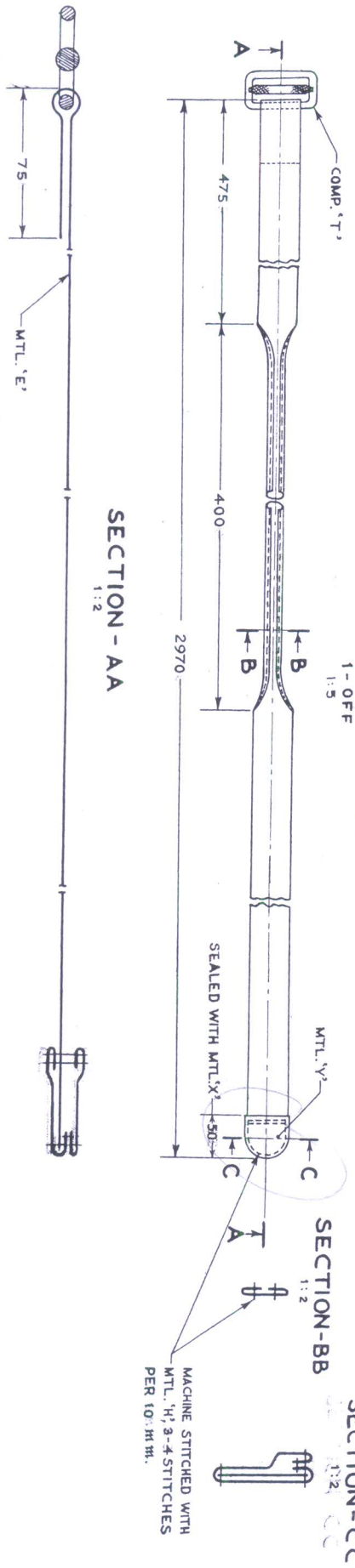
1-1 OFF



11

## ADJUSTABLE STRAP

1-1 OFF



12

## SECTION-CC

SCALE: 1:2, 1:1	DIMENSIONS IN MILLIMETRES	PSD.	APD.
TRACED FROM BRGV. DRG. NO. COMP. APPEND/1015(B)		PSD.	APD.



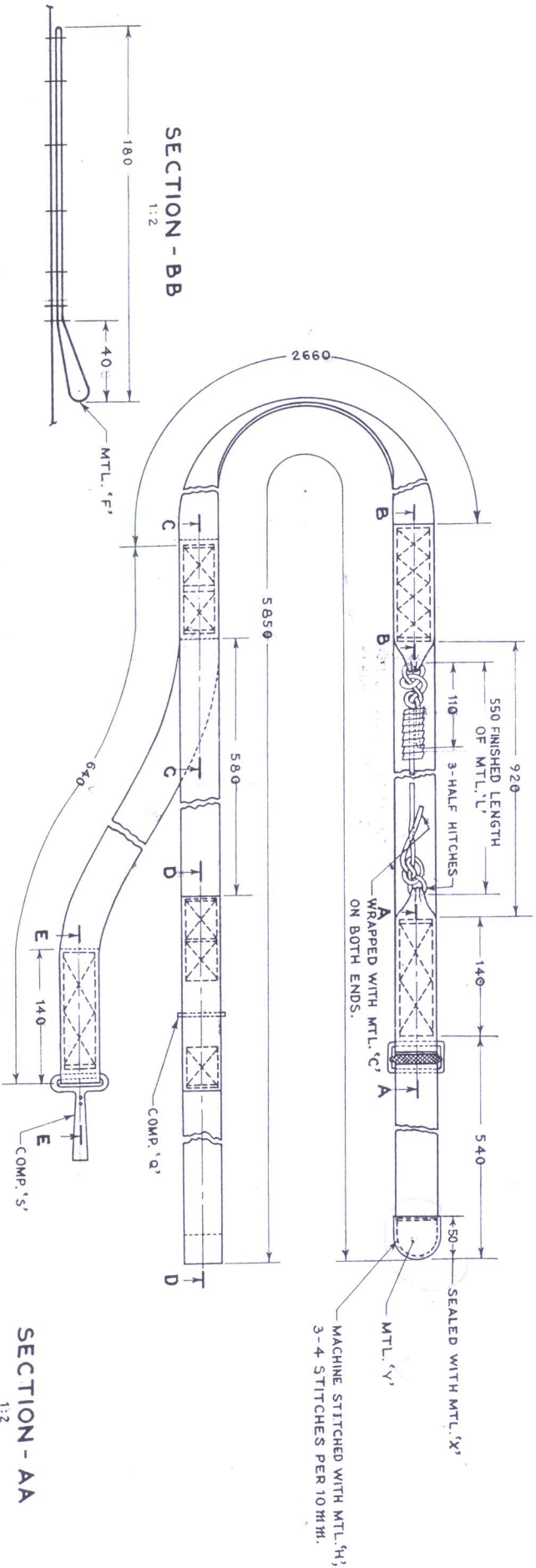
# BAG, PARACHUTIST'S, EQUIPMENT ADJUSTABLE

## LOWERING STRAP

1-0FF

SHEET 110-14

SHEL

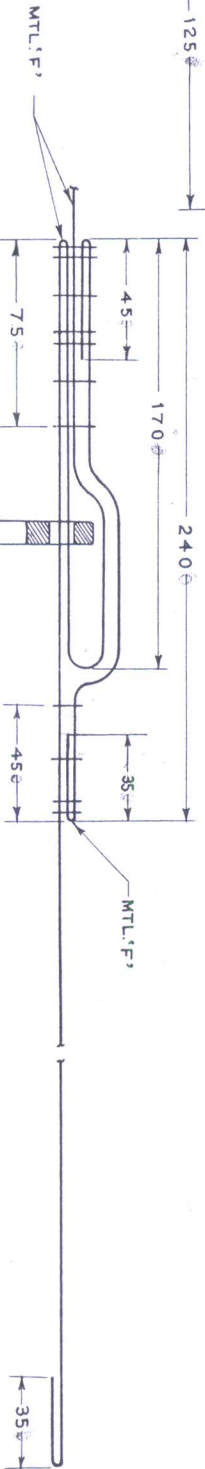


SECTION - BB  
1:2

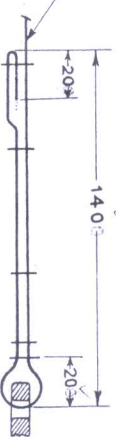
SECTION - CC  
1:2

SECTION - DD  
1:2

SECTION - AA  
1:2



SECTION - EE  
1:2



SCALE:-1:5&1:2

DIMENSIONS IN MILLIMETRES

BA' 7 OM PROV. DRG. No.

(b) DP-1

TRD.

HAL

COMP.

PSD.

APD.

NOTE:- ALL STITCHINGS SHOULD BE MACHINE STITCHED WITH MTL 'G', 2-3 STITCHES PER 10 MM.