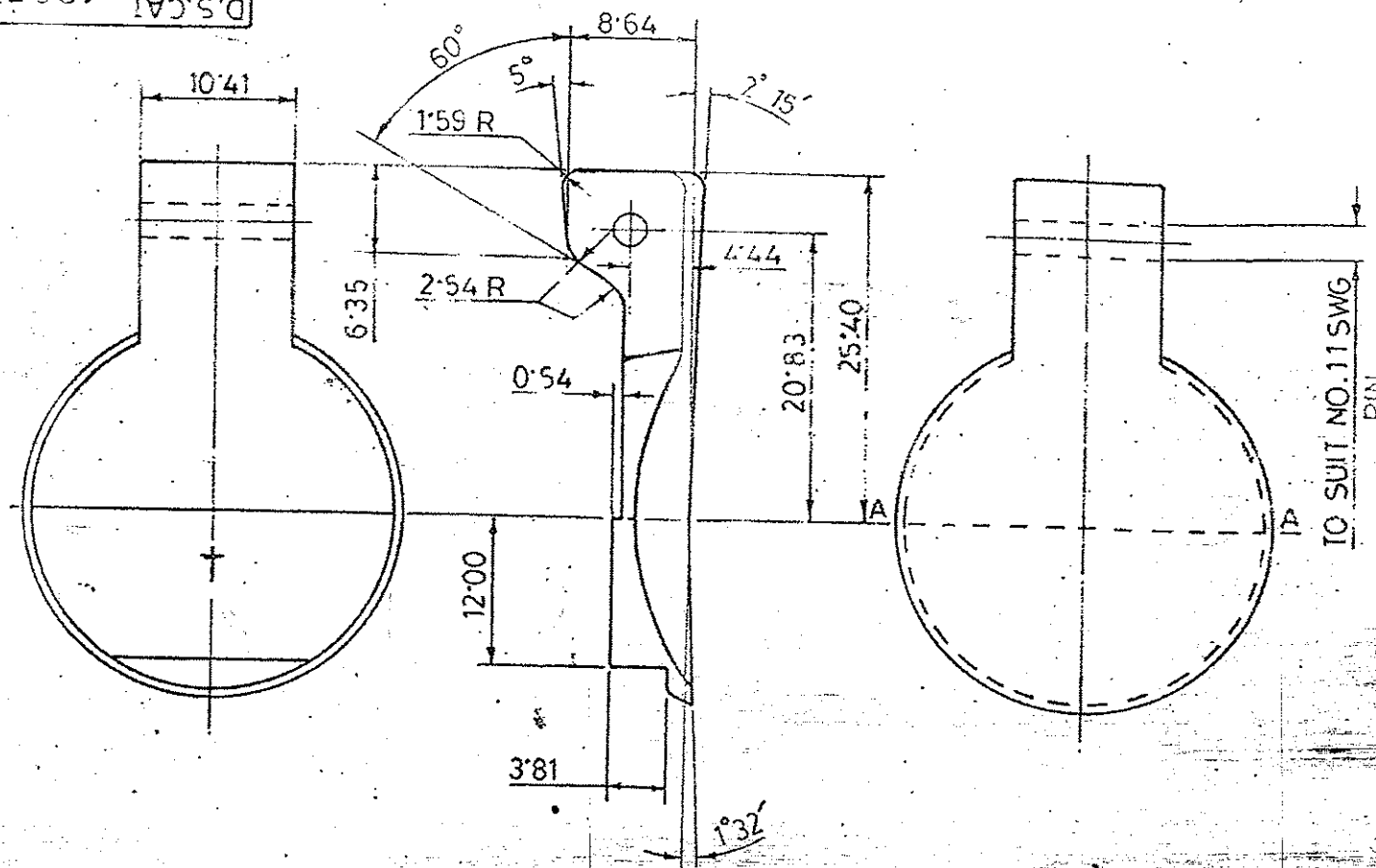


D.S.CAT. 1005-001671

DIMNS. ARE IN mm.

FOR EXPLANATION OF DIMENSIONING ETC. SEE D.D. NOTE SHEET NO. 3. (LATEST ISSUE)

† D.S.CAT. NO. & CONTRACTOR'S CODE-MARK TO BE MARKED IN 3 FIGURES IN RAISED LETTERS.

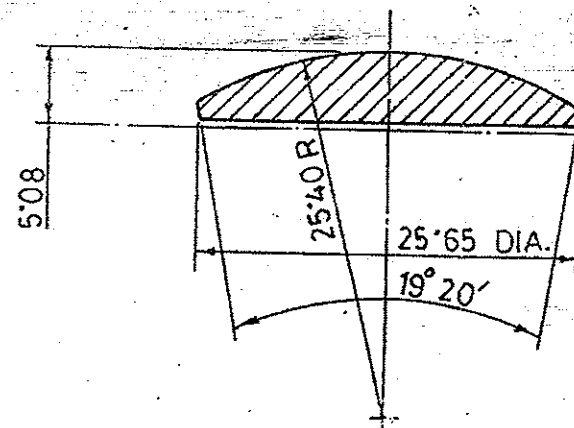


TO SUIT NO. 11 SWG PIN

CERTIFIED CORRECT COPY OF APPROVED DRAWINGS AT THIS DATE 13.1.17

Design & Drawing Office  
Ordnance Factory,  
Tiruchirappalli-620016

UN CONTROLLED COPY



SECTION - A-A

ICR 1336

CERTIFIED COPY BY THE ENGINEER

10.02.05

29-2-2000/24644-SA	PROFORMA CHANGED, NEG. RE-TRACED AND DRG. RE-SEALED.	DRN. CHD.	TRD. <i>M. Rama</i>	COMP. <i>M. Sankar</i>	AHSP CQA(SA)ICHAPUR
	PREVIOUS D.C. NOS. 10448-SA, 10669-SA, 11001-SA, 11257-SA, 18008-SA, 18099-SA, 22551-SA.	SCALE: 2:1	EST. MASS.	APPROVED DT. 10-6-70	ASSY. 1005-001669
DATE AUTHY.	BRIEF RECORD	DT. 29-2-2000	<i>Anla</i>	NEG. RE-TRACED	
SEALED: D.C. NO. 10448-SA, DT. 13-4-70		ZONE	I/C: D.O.		DG NR'S REF. ARDE 657/230
NOMENCLATURE	TRAP		G.O.		PART NO.
			SIGN:		DRG. NO.
					D.S.CAT. NO. 1005-001671