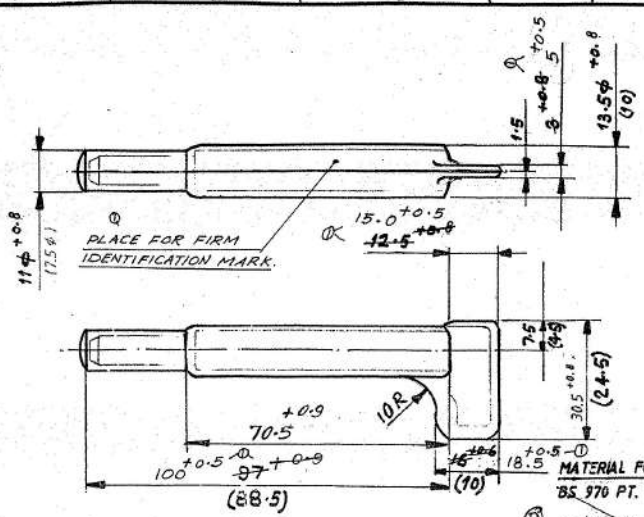


CERTIFIED CORRECT COPY OF APPROVED DRAWINGS AT THIS DATE.....

17.11.2020

Design & Drawing Office
Ordnance Factory,
Tiruchirappalli-620016

UN CONTROLLED COPY



MATERIAL FOR INDIA : IS : 5517-1993, DESIGN : 42 GA M02 LRS 80mm
 BS 970 PT. 1 : 1983 GR. 530 M-40 (BS 970 : 1955 EN-18)
 OR
 BS 970 PT. 1 : 1983 GR. 709 M-40 (BS 970 : 1955 EN-19)
 OR
 BS 970 PT. 1 : 1983-GR. 708 M-40 (BS 970 : 1955 EN-19 A)

- NOTES :-
- DIMENSIONS ARE IN mm.
 - FIRST ANGLE PROJECTION.
 - SCALE- 1:1
 - FORGING OF GROUP II AS PER GOST 8479-70, HB 217 MAX.
 - DRAFT ANGLE 7°
 - UN-SPECIFIED RADII 2 R.
 - FLASH REMAINDER UP TO 0.9 mm.
 - WARPING UP TO 0.7 mm.
 - DIE SHIFTING UP TO 0.3 mm.
 - CONVENTIONAL CONTOUR AND DIMENSIONS GIVEN IN BRACKETS PERTAIN TO THE FINISHED PART.
 - STAMP PART NO, MELT NO. AND QCD STAMP ON THE TAG.
 - 5% OF A BATCH SHOULD BE CHECKED FOR HARDNESS AS PER GOST 8479-70.
 - WEIGHT OF THE FORGING 0.110 Kgs.

HEAT-TREATMENT:-FORGINGS ARE NORMALIZED AND TEMPERED.
 FOR HEAT-TREATMENT SCHEDULE REFER DRAWING NO: M 801 SHEET NO: 1 TO 3 AND SHEET NO: 6 SL.NO: 22.

MATERIAL :- STEEL 40X OST 3-98-80, ✓
 ALT.MATERIAL : STEEL 40 X GOST 4543-71 ✓

COMPONENT DRG. NO. 6P11-7-1
CHANGE LEVER

VETTED FOR MATERIAL ONLY

[Signature]

Principal Scientific Officer,
Quality Assurance Section,
For Senior Quality Assurance Officers,
Quality Assurance Estt. (R:40)
Tiruchirappalli-620 016.

① 004/17.Dh.01-09-17 MATL. AMENDED. ✓
 ② DA.NO. 05/03 Dt. 04/08/03 ✓

DRAWING PROVISIONAL

DS. CAT NO. 1005007171

| B | ALTERNATE MAT./EN SERIES ADDED | SIG & DATE |
|---|--------------------------------|------------|
| | | |

| | | | | | |
|--------------------------|--------------------------------|----------|--------------------------------|--------------------|---|
| <i>Sadhi</i> 27/10/20 | <i>[Signature]</i> 27/10/20 | 11.87 | <i>[Signature]</i> 27/11/20 | <i>[Signature]</i> | ORDNANCE FACTORY, TIRUCHIRAPALLI-16. |
| REDRAWN | CHECKED | APPROVED | I/C, D & DO | DY. OFFICER | |

| | | |
|------------|---------------------|------------|
| AMENDMENTS | DESCRIPTION/DETAILS | SIG & DATE |
| | | |

DRG. NO:
62 C 7007 200 D3